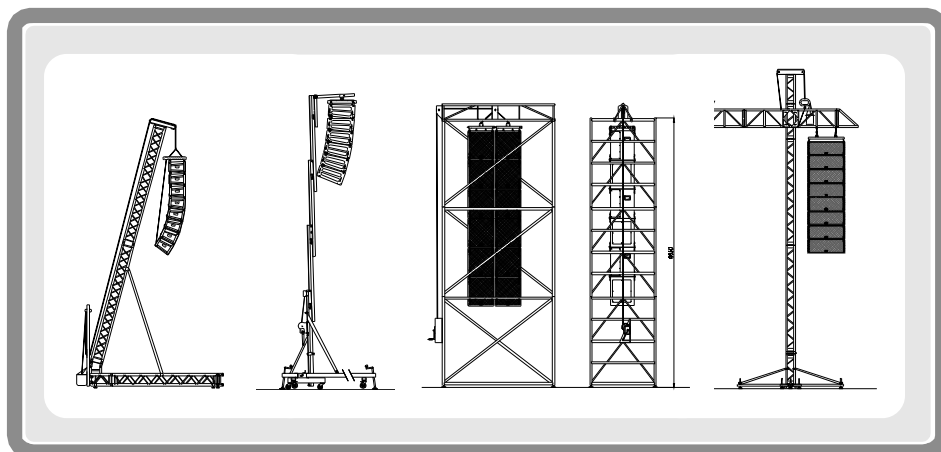


FLYING SYSTEMS



VMB ESPAÑOLA, S.A.

Included in these pages you will find the best and most practical systems for flying PA and Line Arrays on the market.

You will find solutions for small PA with a total weight, little over 100kg, lifted to 5m to the largest systems, 2000kg flown at 12m.

Ongoing contact between our engineers and Professional sound companies has enabled us to perfect and develop some of the most reliable, practical and user-friendly systems available.

- Towerlifts that reach 6.5m and carry 320kg.
- The PIRAM capable of holding 1000kg at a height of 10m.
- Lateral truss systems.
- Aluminium Scaffolds.
- Crane Towerlifts.

VMB's technical office is always available to help you develop your project.



PIRAM 1000



ASSEMBLY

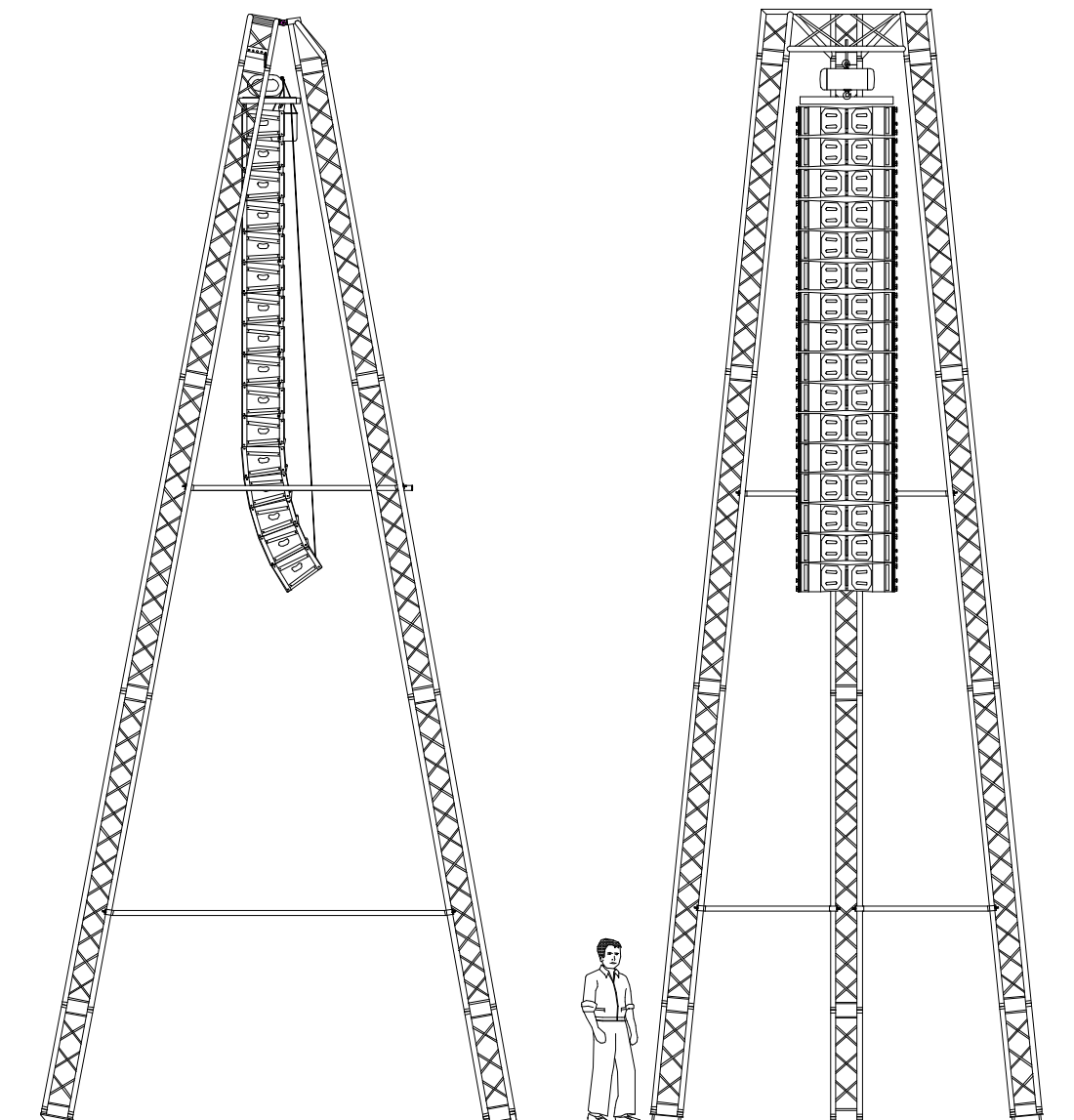
The PIRAM 1000 has been designed for the elevation and flying of the LYNX Line Array. Experience has taught us that it is an excellent solution to fly Line Arrays. Reliable and easy to assemble, it is capable of lifting up to 1000kg to a height of 10 metres.

By assembling 1m, 2m or 3m truss sections you can configure your desired height up to a maximum of 10m. Each tower is supplied with articulated support bases and flying points at the head to hang the Array.

A simple elevation kit designed by our engineers enables the PIRAM to be assembled and erected by 2 people.

TECHNICAL CHARACTERISTICS

Maximum Flying Height:	10 m.
Maximum Load Weight:	1.000 Kg.
Elevation Requirements:	Motorised or manual hoist.
PIRAM 1000 Structure:	TR-P30 30cm Squared trussing
Construction Material:	Al 6082-T6
Support Surface:	3,65 x 3,65 m





PIRAM 750

ASSEMBLY

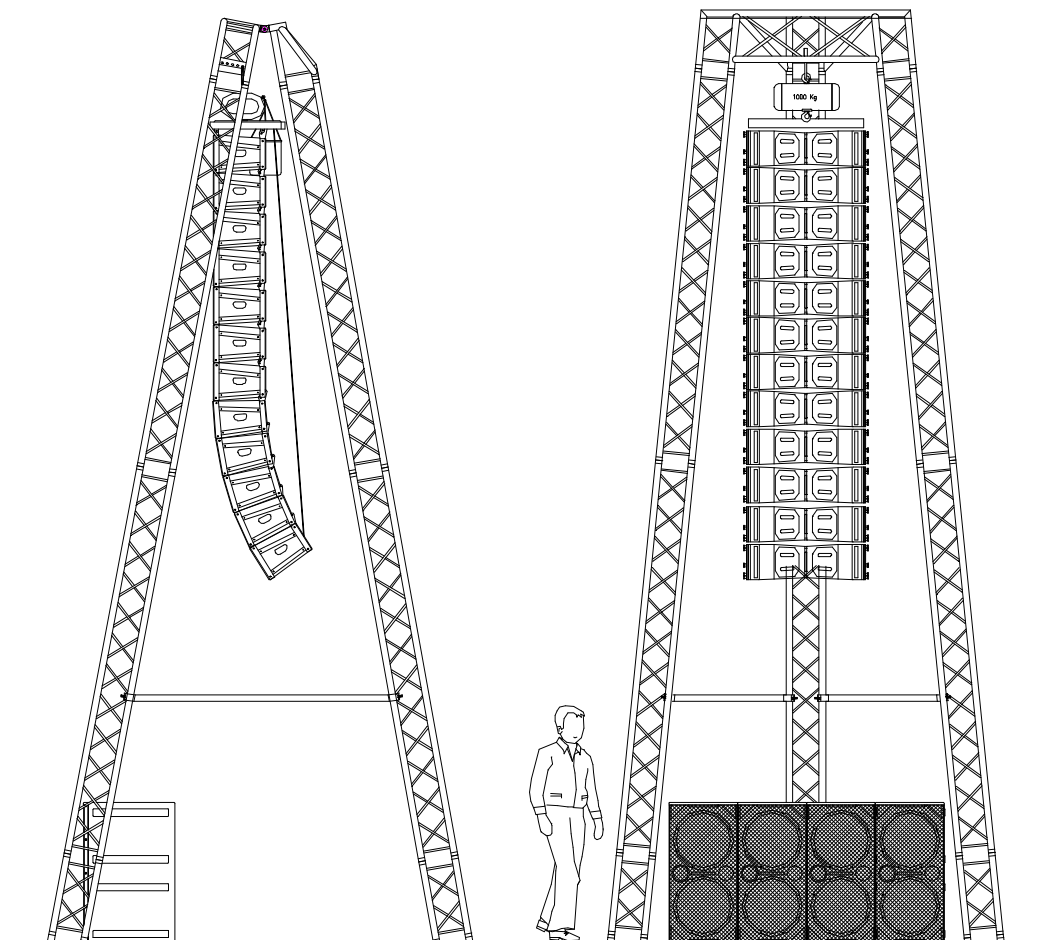
The PIRAM 750 is reliable and easy to assemble, it is capable of lifting up to 750kg to a height of 8 metres.

By assembling 1m, 2m or 3m truss sections you can configure your desired height up to a maximum of 8m. Each tower is supplied with articulated support bases and flying points at the head to hang the Array.

A simple elevation kit designed by our engineers enables the PIRAM to be assembled and erected by 2 people.

TECHNICAL CHARACTERISTICS

Maximum Flying Height:	8 m.
Maximum Load Weight:	750 Kg.
Elevation Requirements:	Motorised or manual hoist.
PIRAM 1000 Structure:	TR-E25 25cm Triang. trussing
Construction Material:	Al 6082-T6
Support Surface:	3,22 x 3,22 m



ASSEMBLY

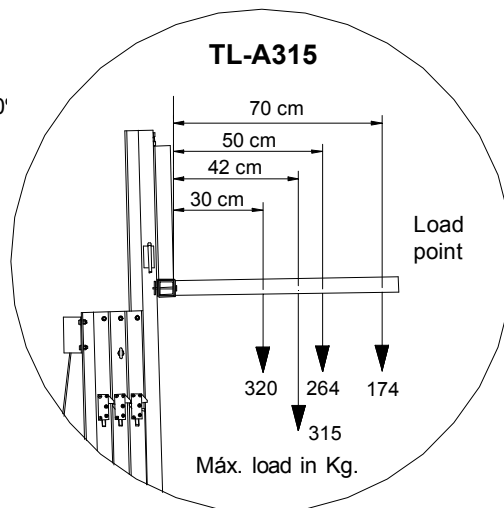
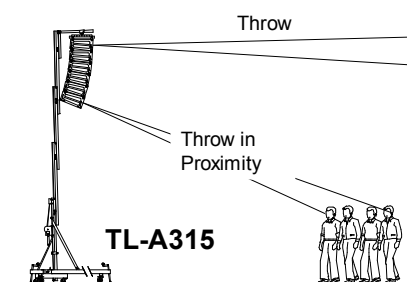
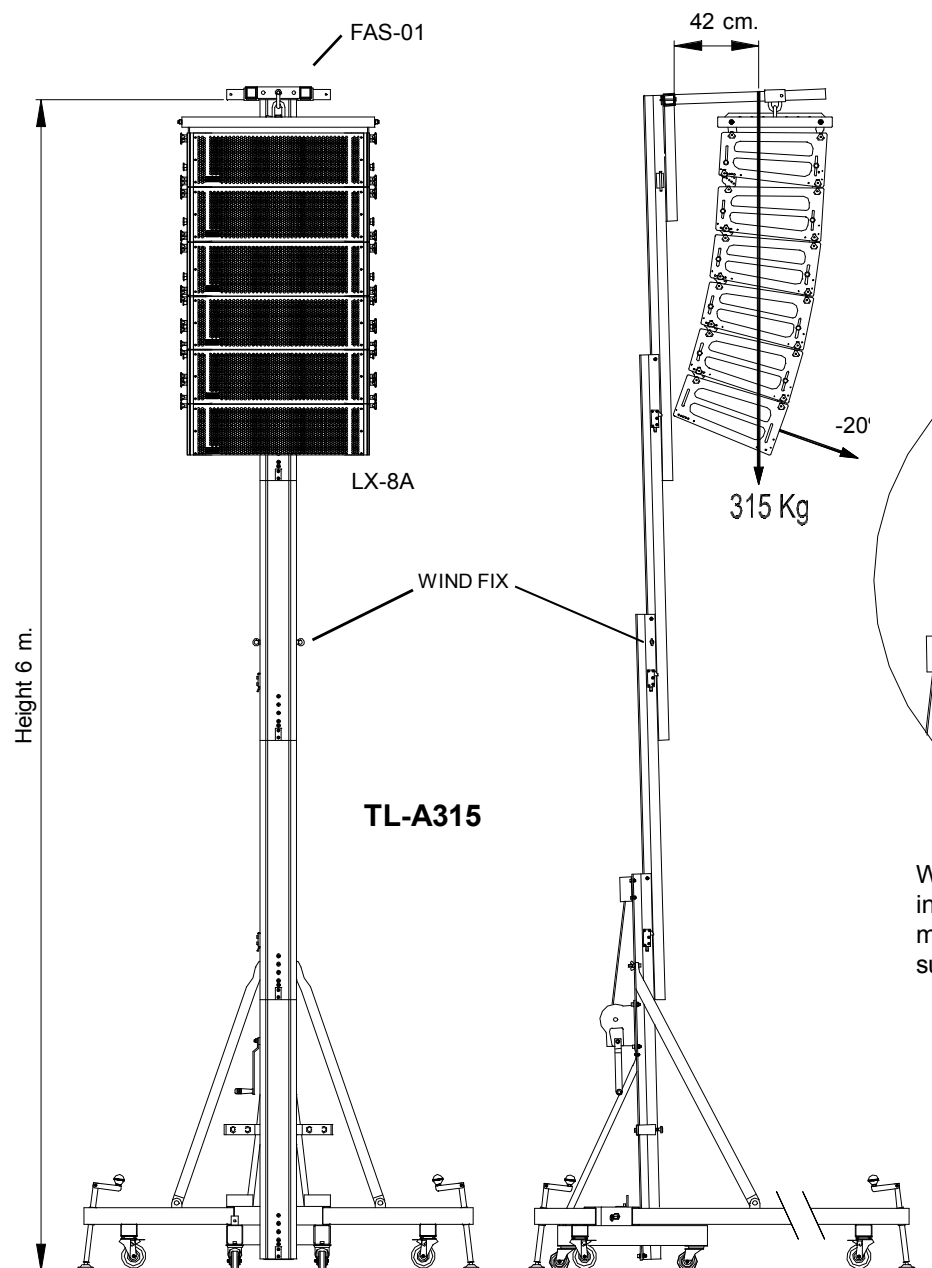
This special Towerlift is designed to fly up to 6 LX-8A cabinets to a maximum height of 6 metres.

It requires 2 BC-075L forks and 1 or 2 FAS-01. The SV-LX8A is then connected with the desired inclination.

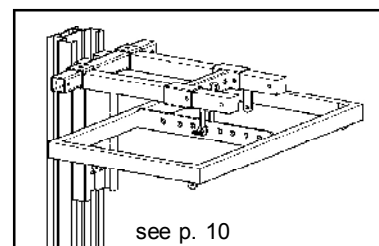
With all open air gigs, it is necessary to fix at least 3 slings to avoid any un expected winds moving the towerlift and the PA.

TECHNICAL CHARACTERISTICS

Maximum Flying Height	6m.
Maximum Load weight	315 Kg.
Base Cabinet Angle	-20°
Throw in Proximity	4/6 m
Throw	80/90m.
Security	ALS
Work Surface	2.4x2.4m.
Folded Height	1,98m.
Weight	180 Kg.
Winch	1200Kg.



With the above diagram you can calculate, in function with the centre of gravity, the maximum weight which the Towerlift supports without compromising security.





TL-075C

ASSEMBLY

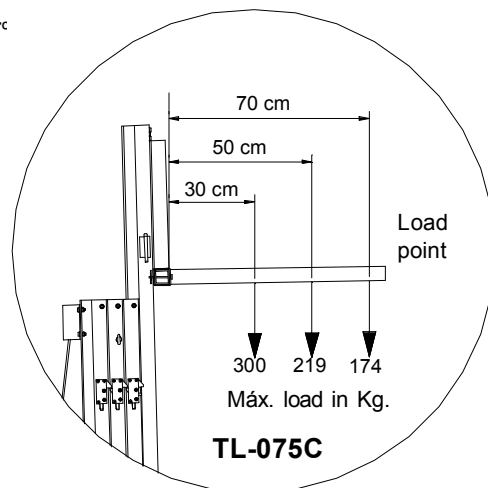
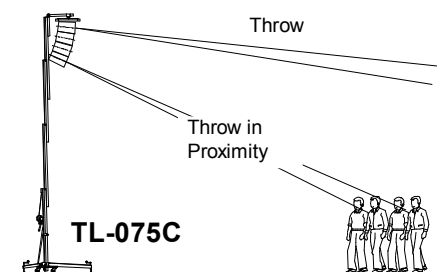
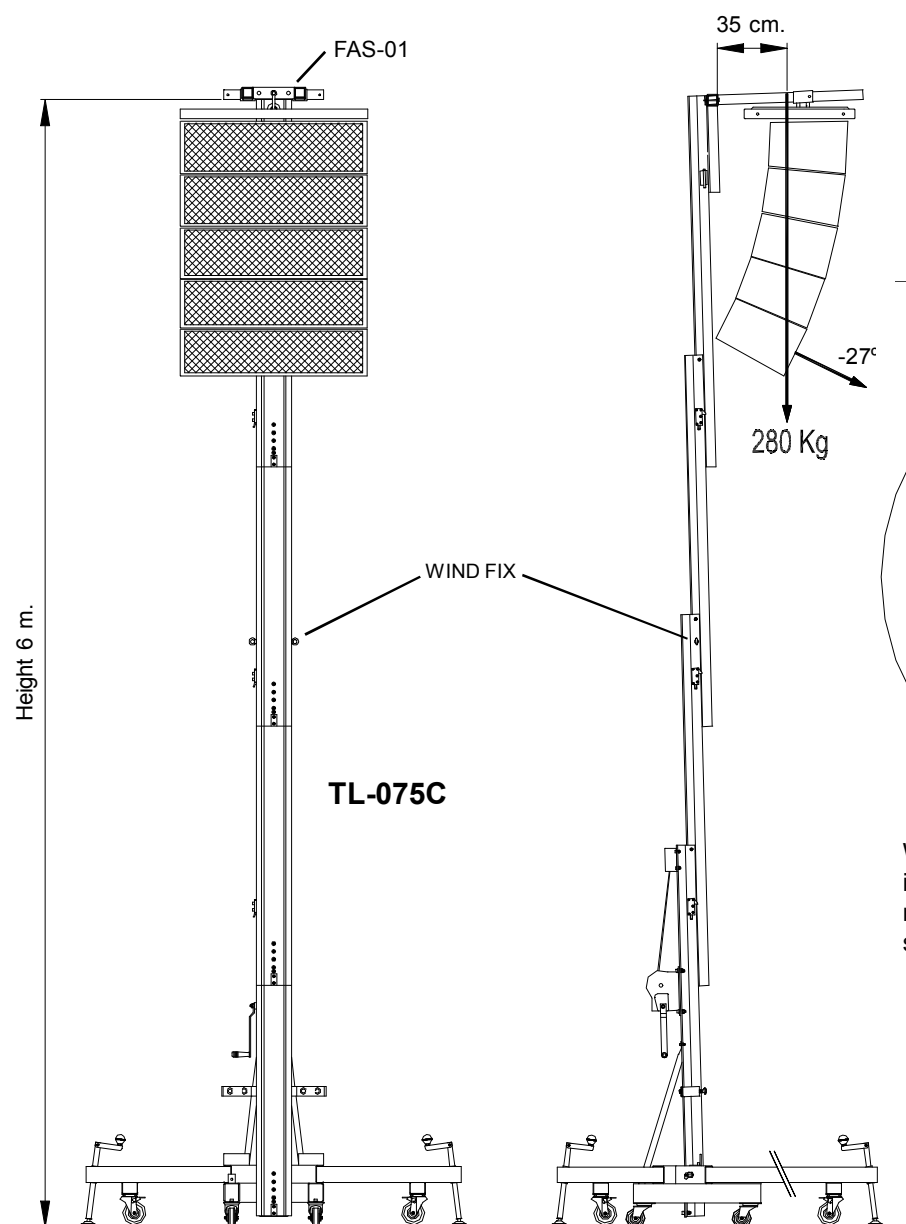
By adding supports FAS-01 or FAS-02 (see p.10) to the TL-075C forks you can lift a Line array up to 6 metres as demonstrated in the diagram below.

The maximum weight you can load, including all accessories and connection cables is 280 Kg.

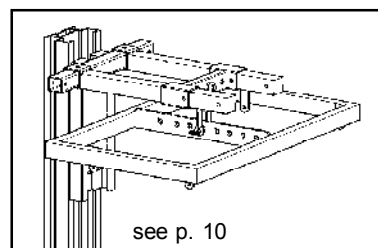
With all open air gigs, it is necessary to fix at least 3 slings to avoid any un expected winds moving the towerlift and the PA.

TECHNICAL CHARACTERISTICS

Maximum Flying Height	6m.
Maximum Load weight	280 Kg.
Base Cabinet Angle	-27°
Throw in Proximity	4/6 m
Throw	50/60m.
Security	ILS
Work Surface	2.2x2.2m.
Folded Height	1,98m.
Weight	179 Kg.
Winch	1200Kg.



With the above diagram you can calculate, in function with the centre of gravity, the maximum weight which the Towerlift supports without compromising security.



ASSEMBLY

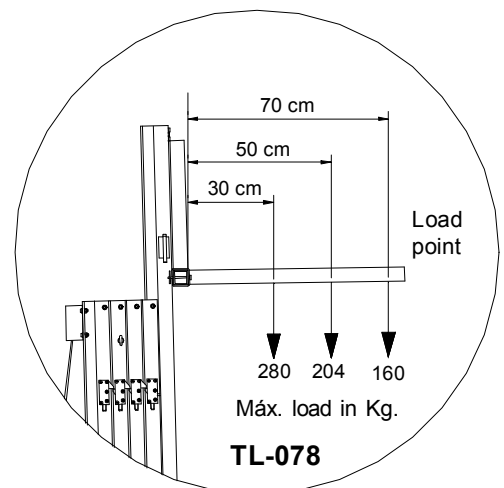
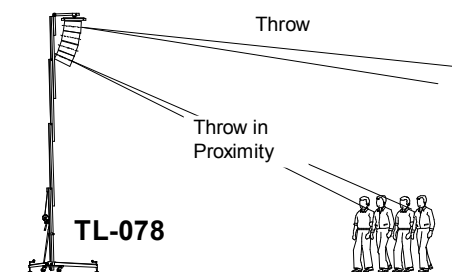
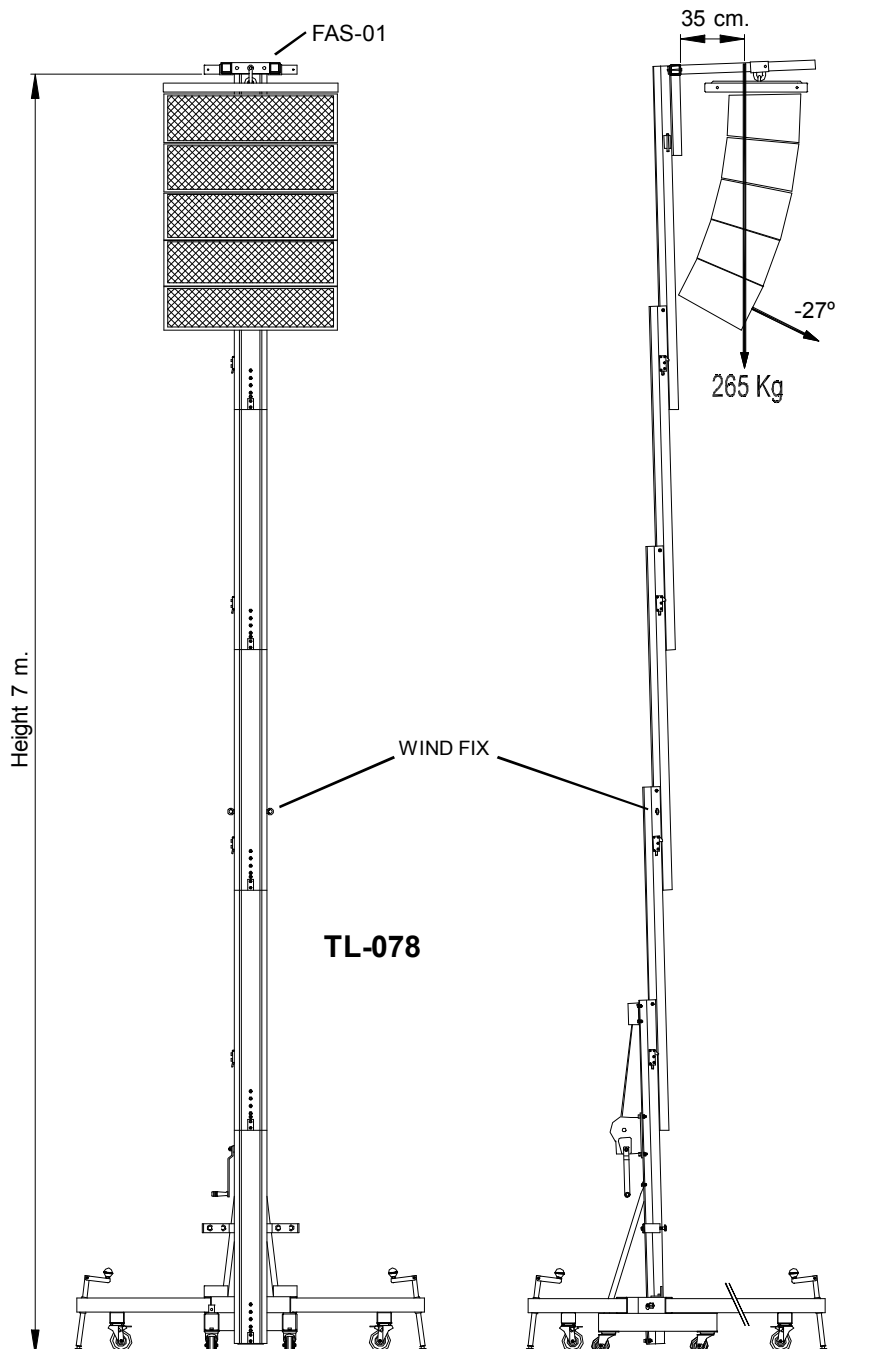
By adding supports FAS-01 or FAS-02 (see p.10) to the TL-078 forks you can lift a Line array up to 7 metres as demonstrated in the diagram below.

The maximum weight you can load, including all accessories and connection cables is 265 Kg.

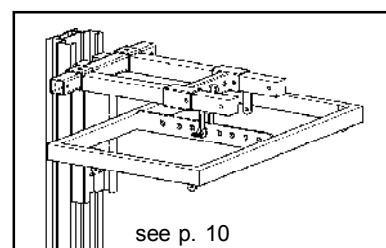
With all open air gigs, it is necessary to fix at least 3 slings to avoid any un expected winds moving the towerlift and the PA.

TECHNICAL CHARACTERISTICS

Maximum Flying Height	7m.
Maximum Load weight	265 Kg.
Base Cabinet Angle	-27°
Throw in Proximity	4/6 m
Throw	80/90m.
Security	ALS
Work Surface	2.2x2.2m.
Folded Height	1,98m.
Weight	203 Kg.
Winch	1200Kg.



With the above diagram you can calculate, in function with the centre of gravity, the maximum weight which the Towerlift supports without compromising security.





TL-072

ASSEMBLY

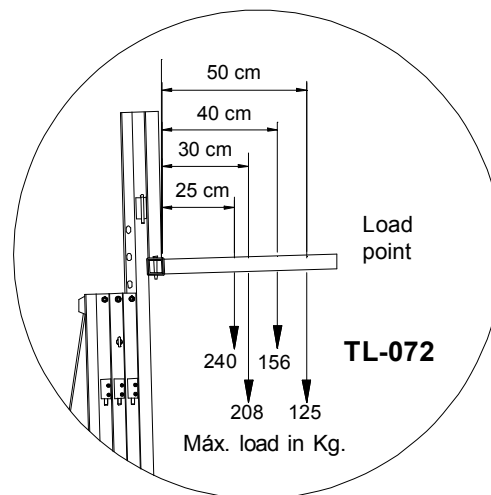
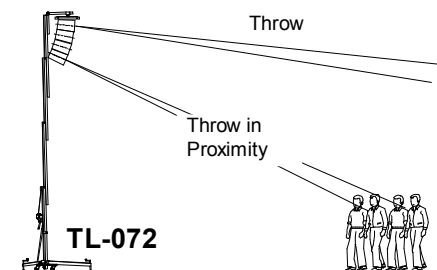
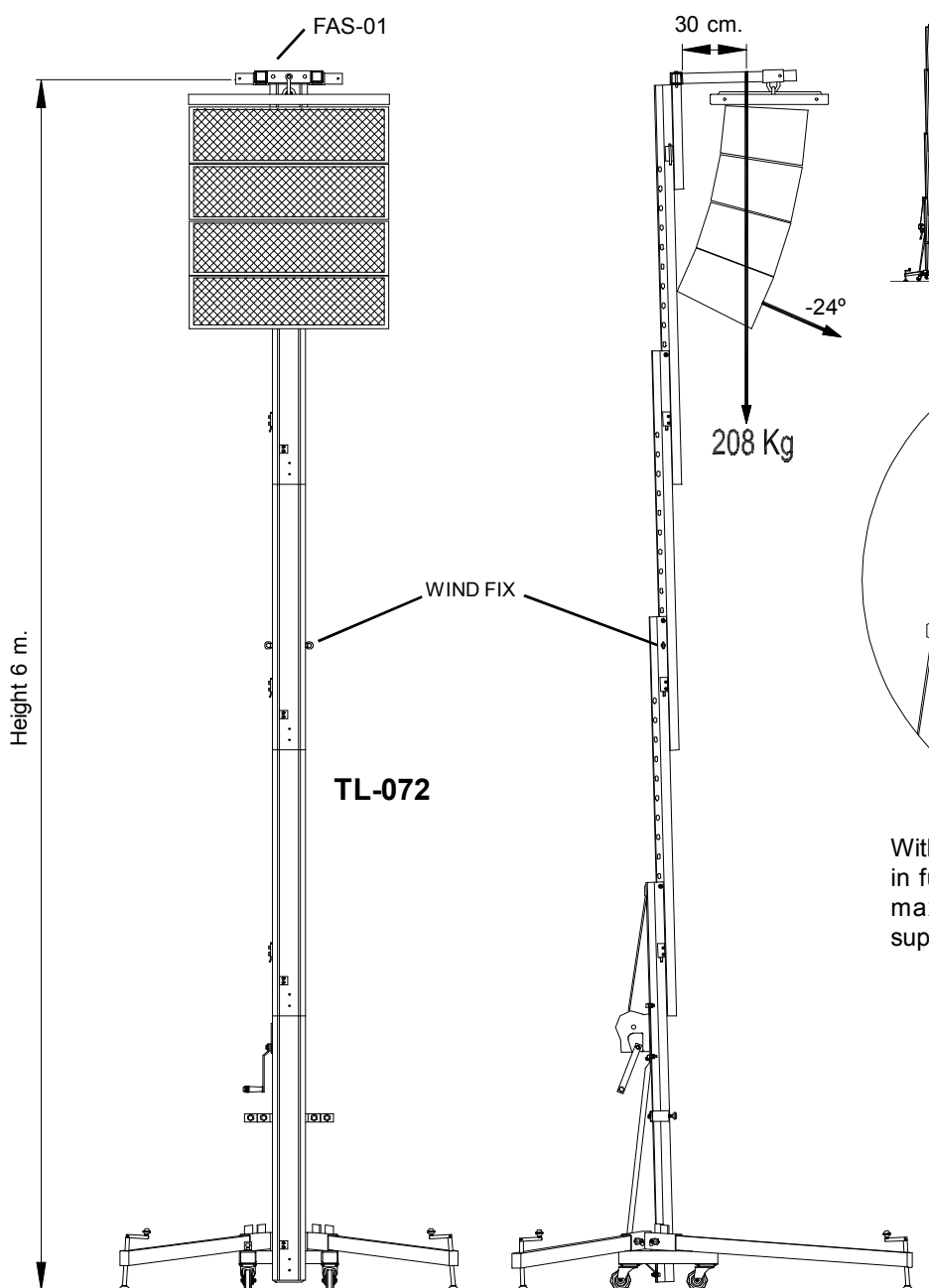
By adding supports FAS-01 or FAS-02 (see p.10) to the TL-072 forks you can lift a Line array up to 6 metres as demonstrated in the diagram below.

The maximum weight you can load, including all accessories and connection cables is 208 Kg.

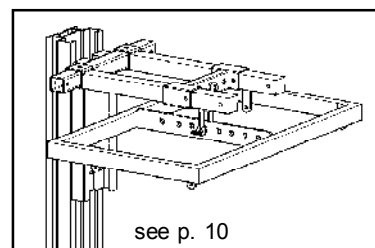
With all open air gigs, it is necessary to fix at least 3 slings to avoid any unexpected winds moving the towerlift and the PA.

TECHNICAL CHARACTERISTICS

Maximum Flying Height	6m.
Maximum Load weight	208 Kg.
Base Cabinet Angle	-24°
Throw in Proximity	4/6 m
Throw	50/60m.
Security	ILS
Work Surface	2.2x2.2m.
Folded Height	1,98m.
Weight	114 Kg.
Winch	900Kg.



With the above diagram you can calculate, in function with the centre of gravity, the maximum weight which the Towerlift supports without compromising security.



ASSEMBLY

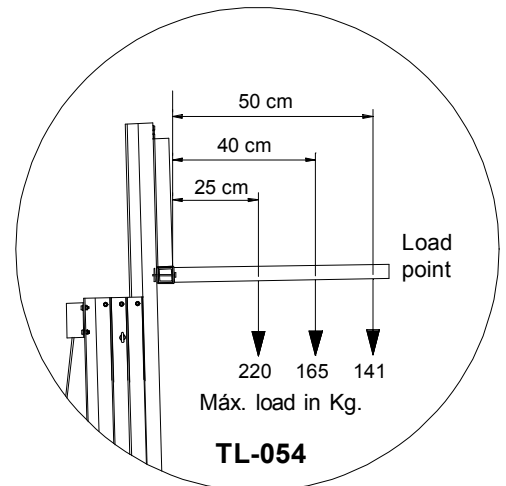
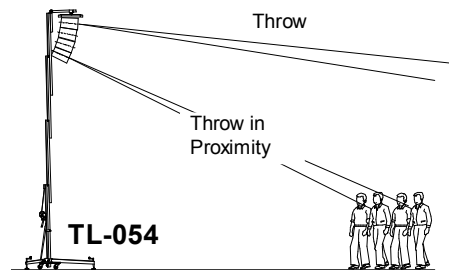
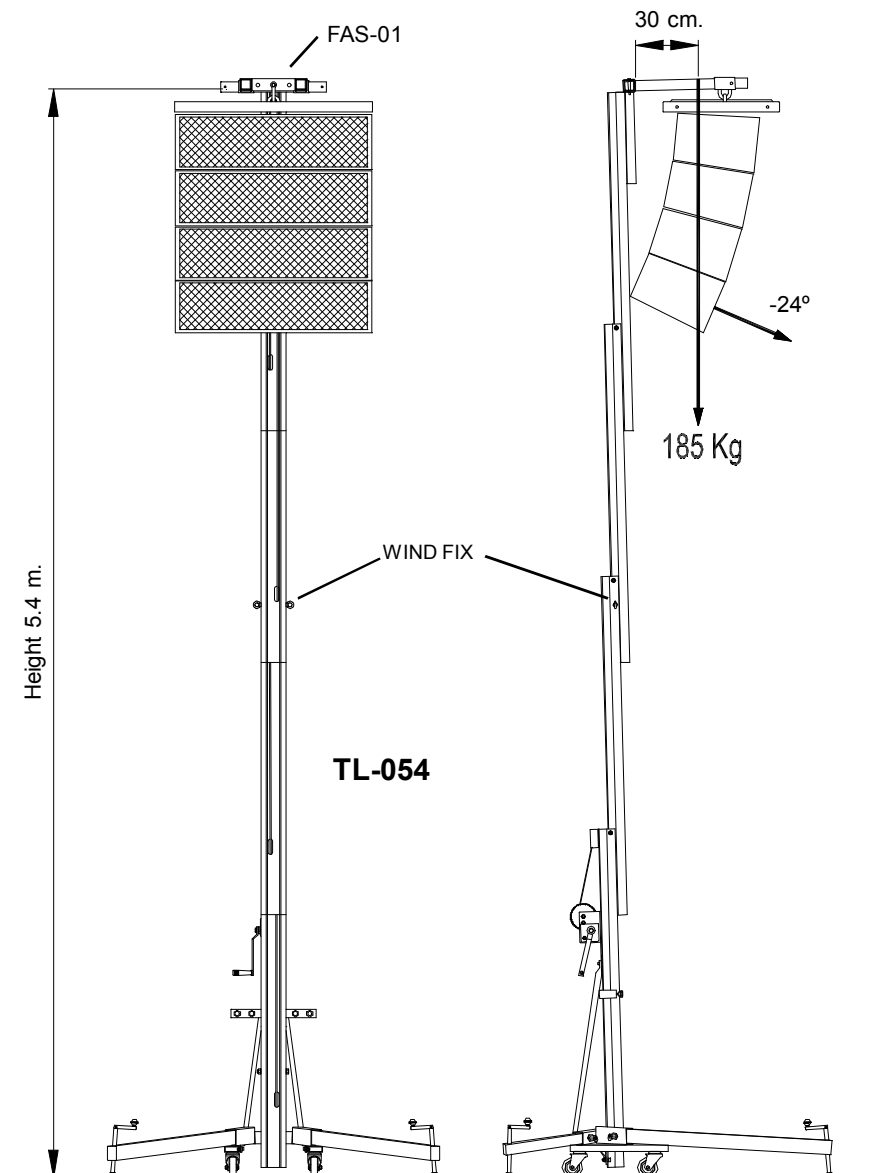
By adding supports FAS-01 or FAS-02 (see p.10) to the TL-054 forks you can lift a Line array up to 5.4 metres as demonstrated in the diagram below.

The maximum weight you can load, including all accessories and connection cables is 185 Kg.

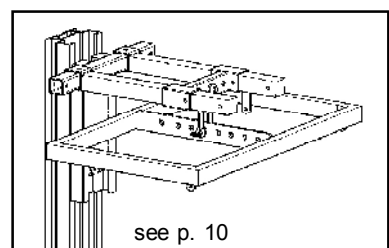
With all open air gigs, it is necessary to fix at least 3 slings to avoid any un expected winds moving the towerlift and the PA.

TECHNICAL CHARACTERISTICS

Maximum Flying Height	5.4m.
Maximum Load weight	185 Kg.
Base Cabinet Angle	-24°
Throw in Proximity	4/6 m
Throw	50/60m.
Security	ILS
Work Surface	2 x 2m.
Folded Height	1,70m.
Weight	87 Kg.
Winch	900Kg.



With the above diagram you can calculate, in function with the centre of gravity, the maximum weight which the Towerlift supports without compromising security.





TL-055

ASSEMBLY

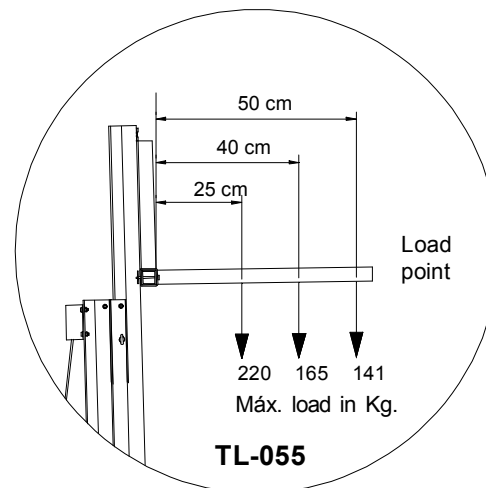
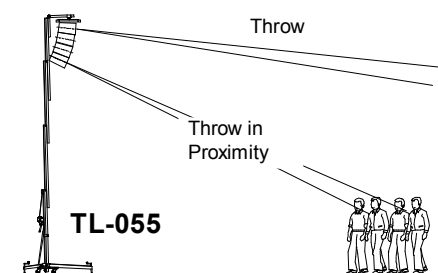
By adding supports FAS-01 or FAS-02 (see p.10) to the TL-055 forks you can lift a Line array up to 5.1 metres as demonstrated in the diagram below.

The maximum weight you can load, including all accessories and connection cables is 185 Kg.

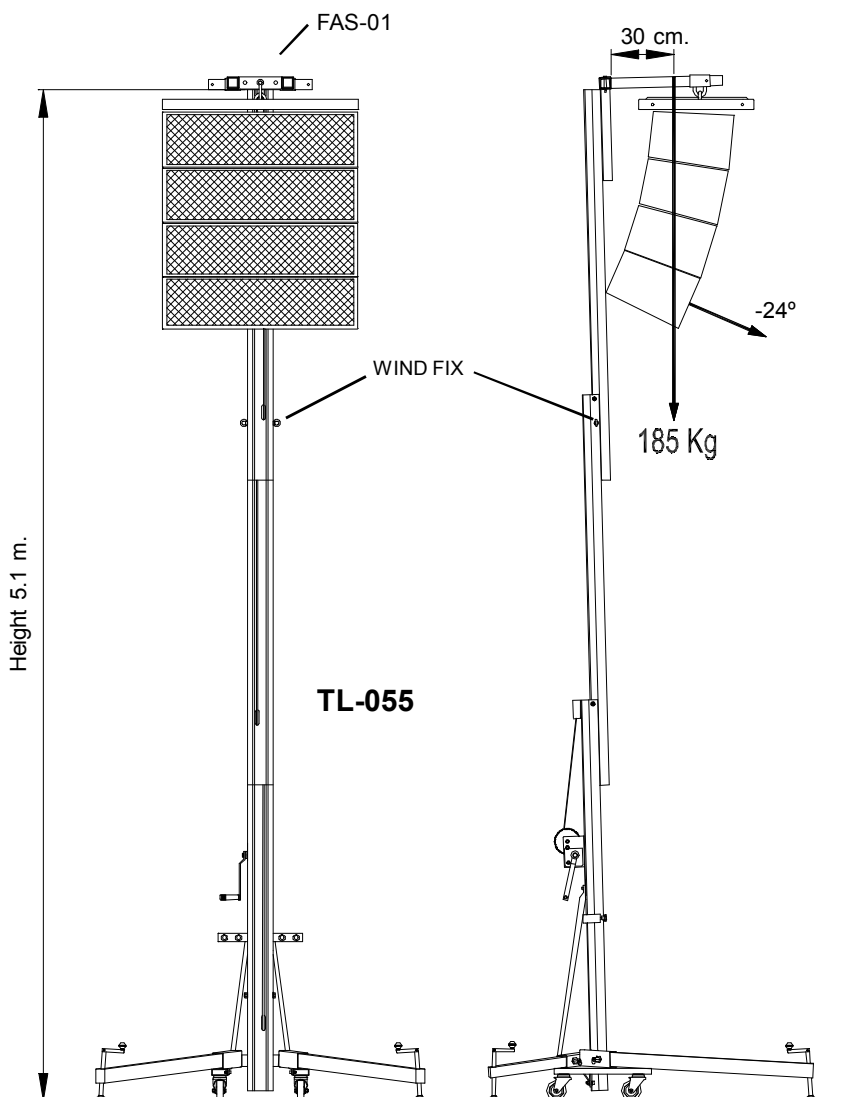
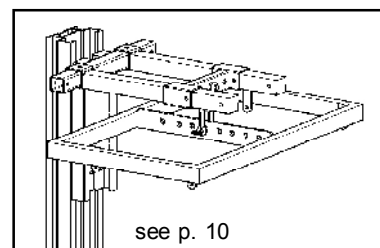
With all open air gigs, it is necessary to fix at least 3 slings to avoid any un expected winds moving the towerlift and the PA.

TECHNICAL CHARACTERISTICS

Maximum Flying Height	5.1m.
Maximum Load weight	185 Kg.
Base Cabinet Angle	-24°
Throw in Proximity	4/6 m
Throw	50/60m.
Security	ILS
Work Surface	2 x 2m.
Folded Height	1,98m.
Weight	88.5 Kg.
Winch	900Kg.



With the above diagram you can calculate, in function with the centre of gravity, the maximum weight which the Towerlift supports without compromising security.



ASSEMBLY

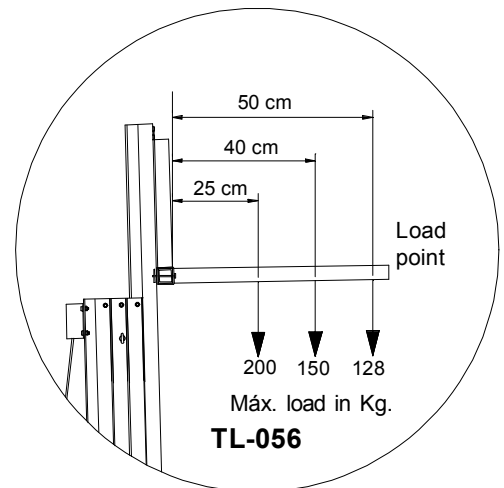
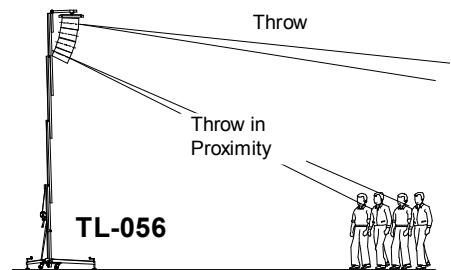
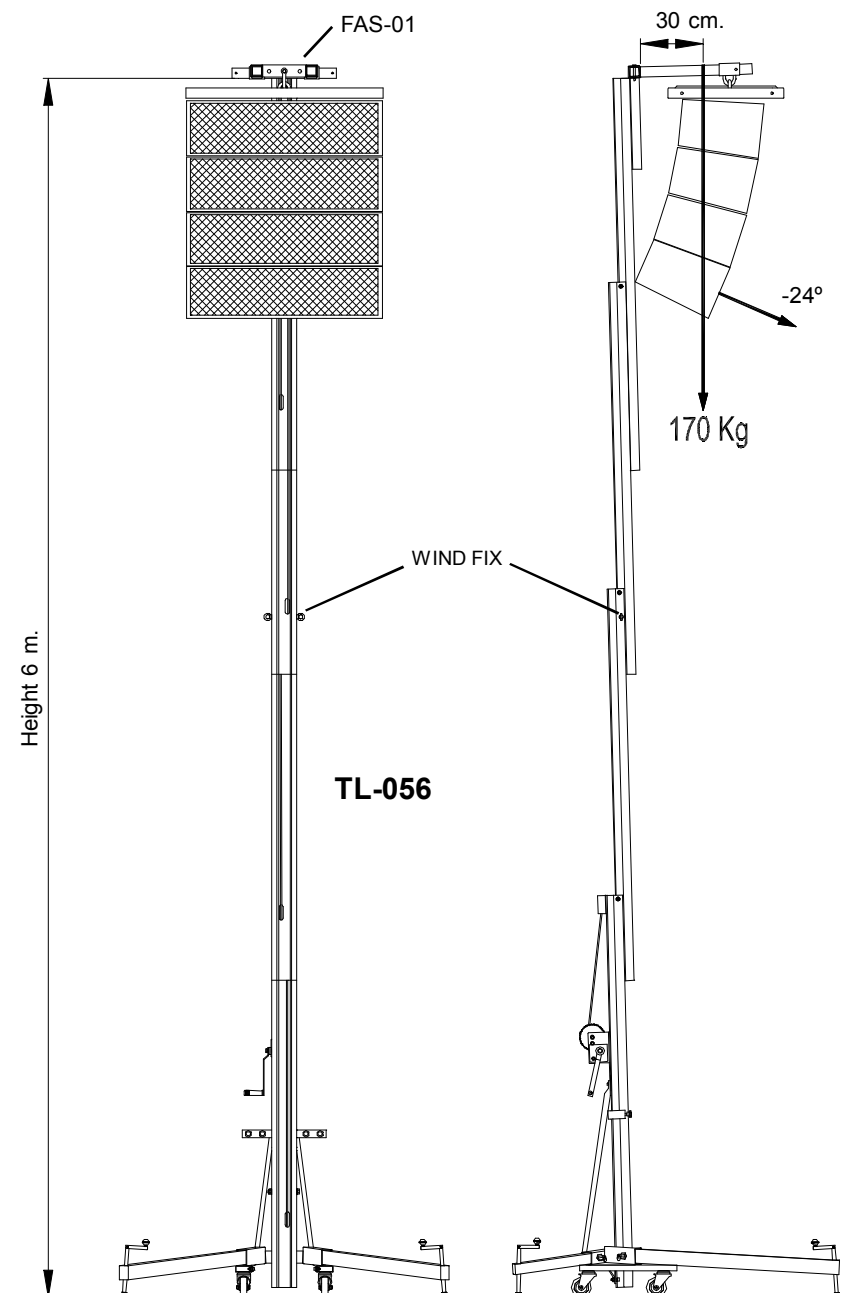
By adding supports FAS-01 or FAS-02 (see p.10) to the TL-056 forks you can lift a Line array up to 6 metres as demonstrated in the diagram below.

The maximum weight you can load, including all accessories and connection cables is 170 Kg.

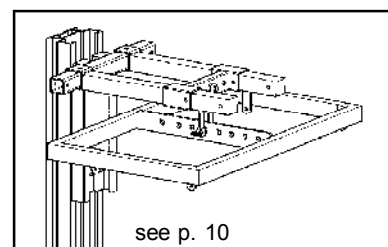
With all open air gigs, it is necessary to fix at least 3 slings to avoid any un expected winds moving the towerlift and the PA.

TECHNICAL CHARACTERISTICS

Maximum Flying Height	6m.
Maximum Load weight	170 Kg.
Base Cabinet Angle	-24°
Throw in Proximity	4/6 m
Throw	50/60m.
Security	ILS
Work Surface	2 x 2m.
Folded Height	1,98m.
Weight	94.5 Kg.
Winch	900Kg.



With the above diagram you can calculate, in function with the centre of gravity, the maximum weight which the Towerlift supports without compromising security.



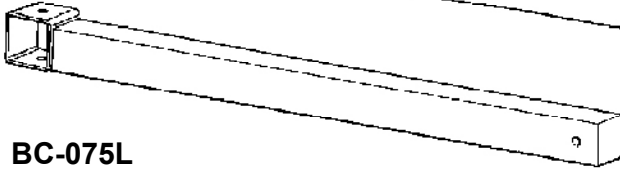
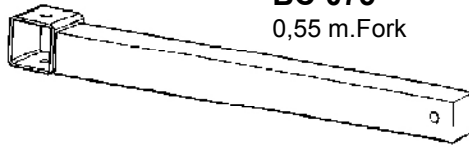
see p. 10



SUPPORTS

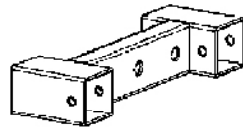
FOR FRONTAL LOAD TOWERLIFTS

BC-075
0,55 m.Fork



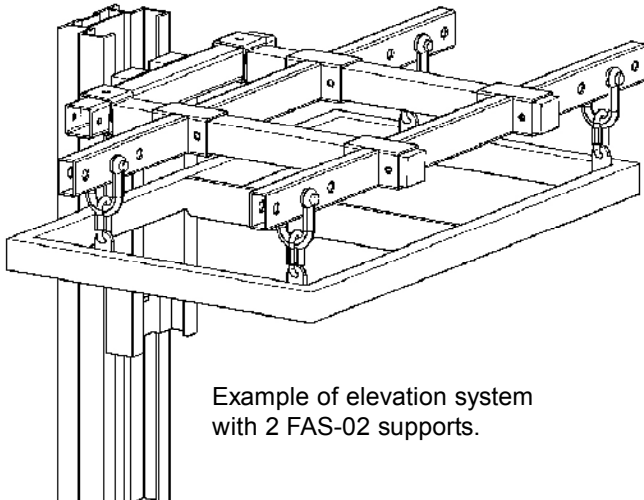
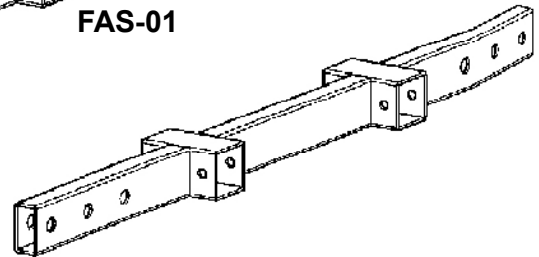
BC-075L
0,75 m.Fork

Special supports to lift PA systems with forks
BC-075 and BC-075L.

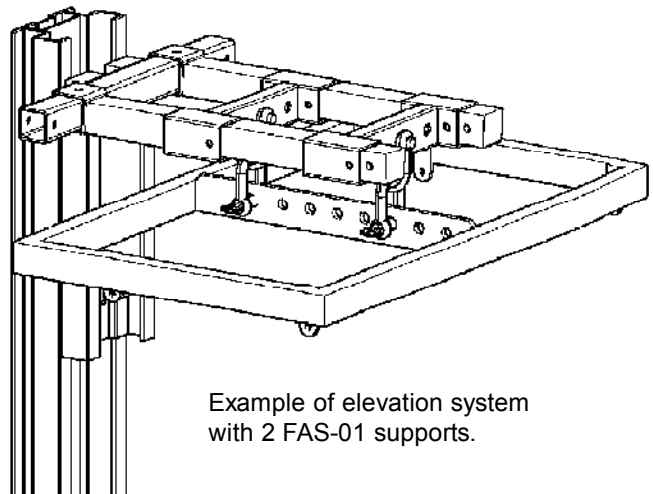


FAS-01

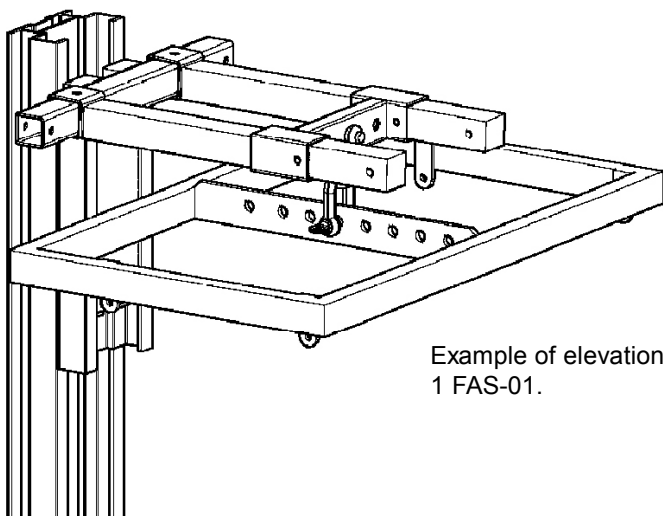
FAS-02



Example of elevation system
with 2 FAS-02 supports.



Example of elevation system
with 2 FAS-01 supports.

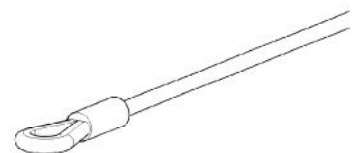


Example of elevation system with
1 FAS-01.

SECURING SUPPORTS



MO-C2



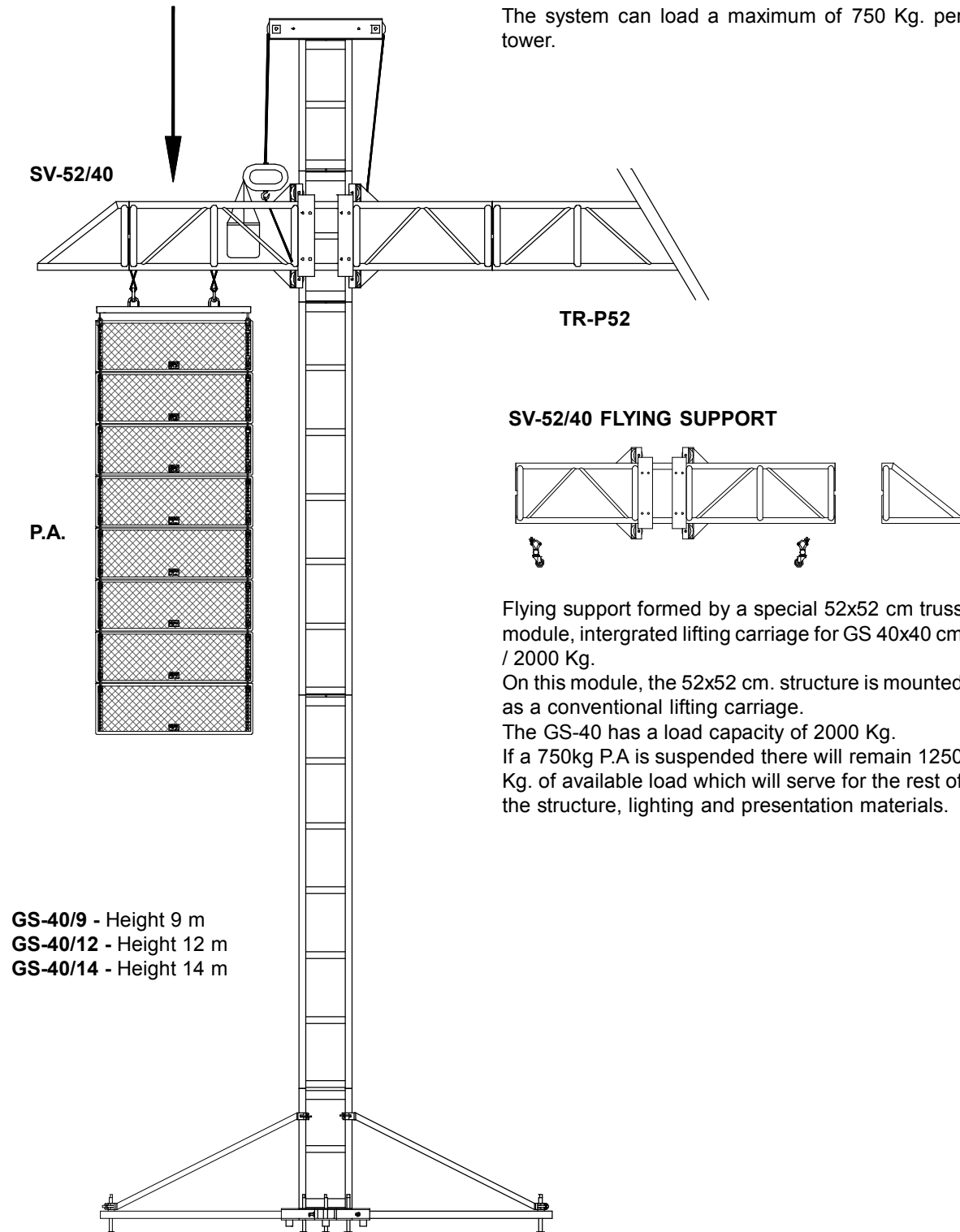
Fixing cable.

SV-52/40 LATERAL FLYING SYSTEM

**MAXIMUM CENTRED WEIGHT
750 Kg.**

Flying System for P.A. made up of SV-52/40 integrated in the GS-40 support structure.

The system can load a maximum of 750 Kg. per tower.



SV-52/40 FLYING SUPPORT

Flying support formed by a special 52x52 cm truss module, integrated lifting carriage for GS 40x40 cm / 2000 Kg.

On this module, the 52x52 cm. structure is mounted as a conventional lifting carriage.

The GS-40 has a load capacity of 2000 Kg.

If a 750kg P.A is suspended there will remain 1250 Kg. of available load which will serve for the rest of the structure, lighting and presentation materials.

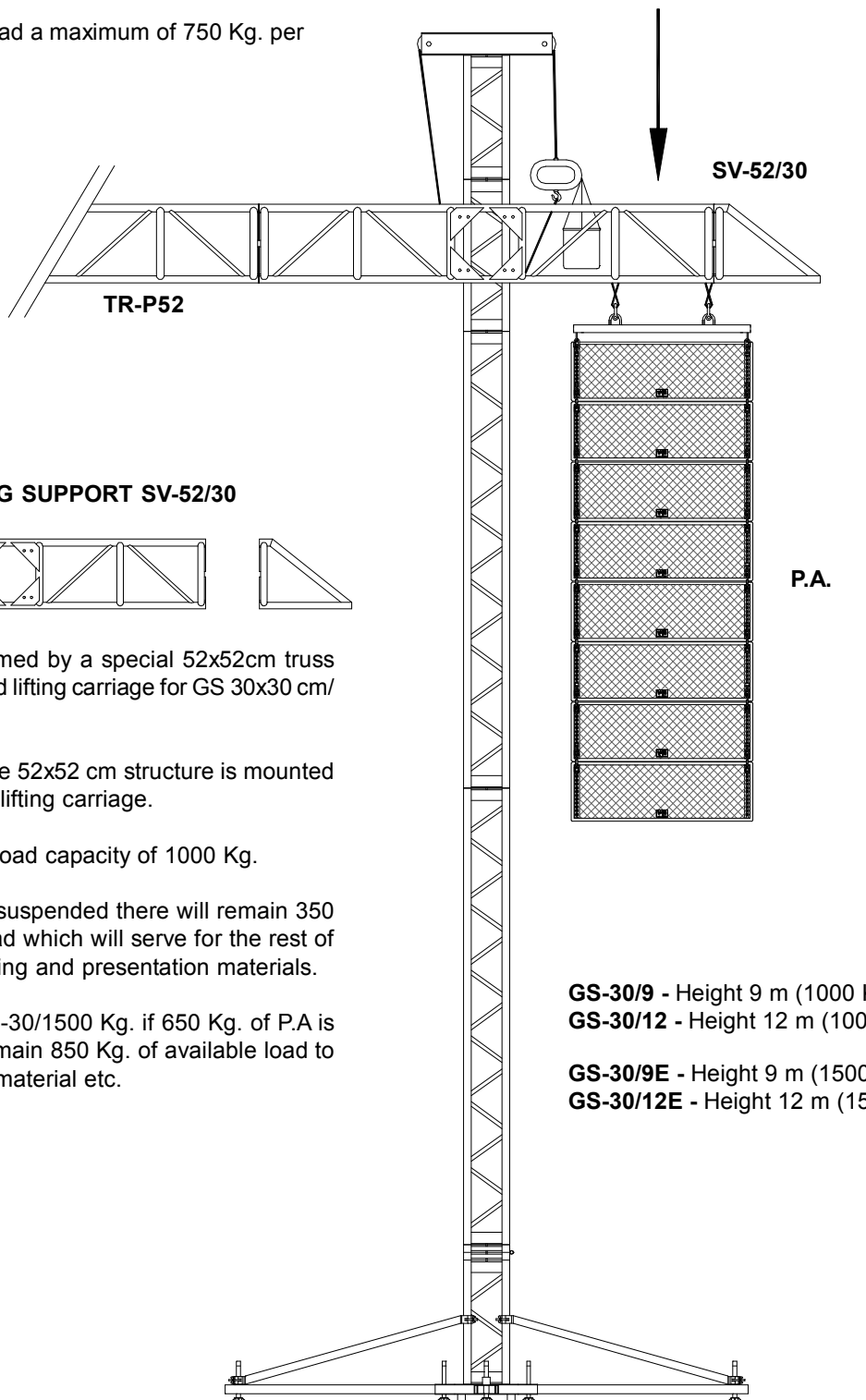
GS-40/9 - Height 9 m
GS-40/12 - Height 12 m
GS-40/14 - Height 14 m

LATERAL FLYING SYSTEM SV-52/30

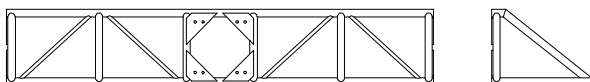
Flying System for P.A. made up of SV-52/30 intergrated in the GS-30 support structure.

The system can load a maximum of 750 Kg. per tower.

**MAXIMUM CENTRED WEIGHT
650 Kg.**



FLYING SUPPORT SV-52/30



Flying support formed by a special 52x52cm truss module, intergrated lifting carriage for GS 30x30 cm/ 1000 Kg.

On this module, the 52x52 cm structure is mounted as a conventional lifting carriage.

The GS-30 has a load capacity of 1000 Kg.

If a 650 Kg P.A is suspended there will remain 350 Kg of available load which will serve for the rest of the structure, lighting and presentation materials.

On the special GS-30/1500 Kg. if 650 Kg. of P.A is flown there will remain 850 Kg. of available load to distribute lighting material etc.

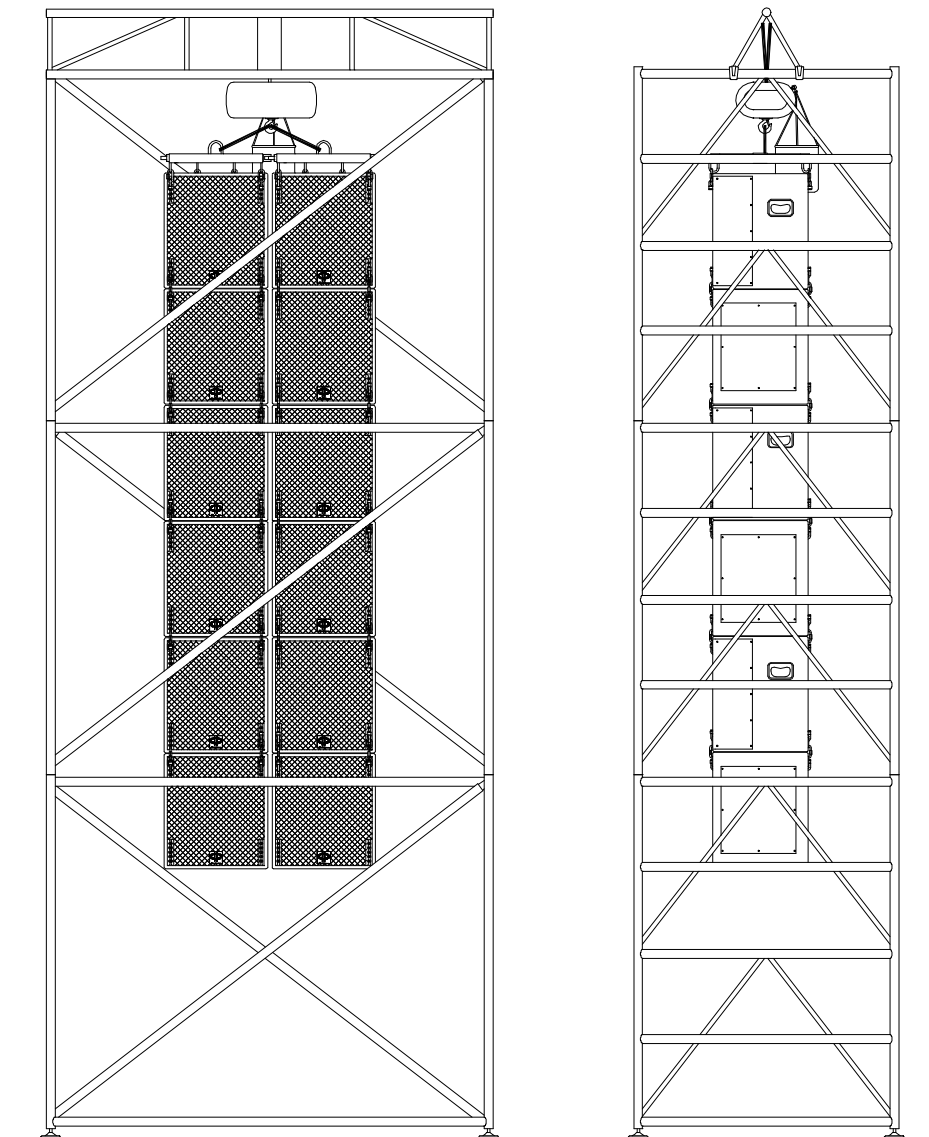
GS-30/9 - Height 9 m (1000 Kg.)
GS-30/12 - Height 12 m (1000 Kg.)
GS-30/9E - Height 9 m (1500 Kg.)
GS-30/12E - Height 12 m (1500 Kg.)

SCAFFOLD SYSTEM AV-900

Modular flying system with available heights of 4 ,6 ,8 or 10m and a maximum load weight of 900 Kg. Each module has a height of 2m, width of 2.5m and depth of 1.5m.

From 8m the system requires securing supports (see p.10).

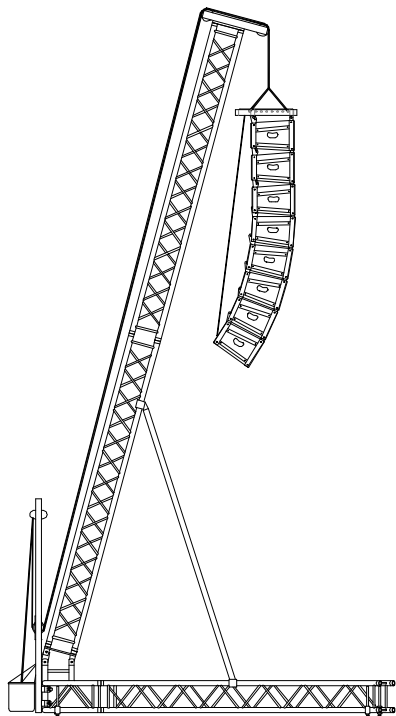
On the top module, a special triangular truss is mounted which includes a pulley system for either cable or chain so you can elevate and suspend the P.A.



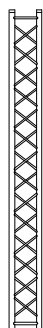
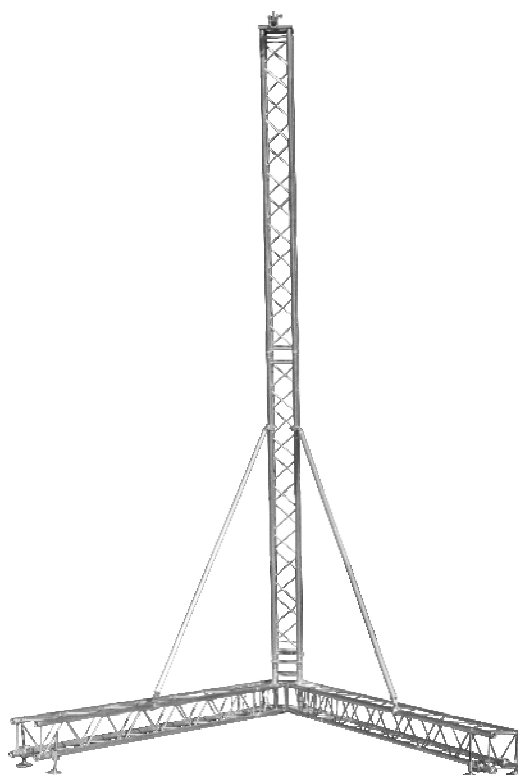
The system can be hung with a autobrake 1200 Kg. winch, manual chain or motorized hoist.
Do not use cable for loads superior to 500 Kg.

TRUSS-TOWER P.A. ELEVATION

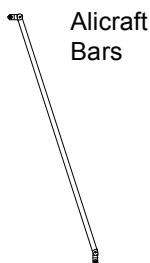
Modular tower made from 6082 T6 aluminium with 50mm diametre main bars and 16mm triangular arms.
It includes stabilisers with adjustable disc support.
The TT-650 is designed specifically for P.A. elevation.



- Maximum Flying Height: 6.35 m.
- Maximum Load weight:
650 Kg. with support cable to head.
- Material: 30cm square trussing.
- Includes:
 - 4 TRC-30/3m Truss.
 - 1 Base corner 3 sides of square 30cm truss.
 - 8 Balancers.
 - 1 Pulley head.
 - 2 Alicraft bars.
 - Optional:
 - 1 rear winch / elevation hoist.
- Elevation : Manual hoist or electric hoist (served apart).

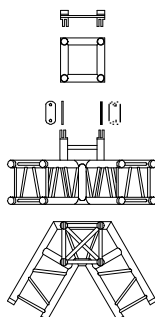


Truss
30 x 30 cm

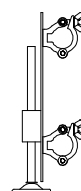


Alicraft
Bars

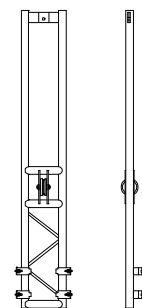
Base corner



Balancers



Rear winch /
elevation hoist



TRUSS-TOWER P.A. ELEVATION

Modular tower designed for flying P.A. especially Line Array systems which require vertical situation at a greater height than conventional Arrays.

The TT-1500 is manufactured with 52x52 heavy duty for all the support profiles and 30x30 for the support bars.

- At a height of 11.6 metres the TT-1500s load capacity is 1500kg.

- At a height of 10.6 metres the TT-1500s load capacity is 1800kg.

The TT-1500 is the ideal solution for the flying of systems at concerts and events where quick assembly and simple adjustment and orientation are required.

CHARACTERISTICS

The TR-P52 heavy duty structure which forms the main body of the TT-1500 are constructed with extruded 6082 T6 aluminium. The main load bars are 50mm diameter and triangular arms are 24mm. The support structure for elevation and mastil support during assembly and orientation is constructed with TR-P30 heavy duty.

- Maximum Flying Height **TT-1500** : 11,60 metres / 1.500 Kg.

- Maximum Load weight **TT-1800** : 10,60 metres / 1.800 Kg.

- Includes:

TR-P52 trussing according to height.

1 TR-P52 3 way Base corner.

6 Truss TR-P30 / 3 m.

2 TR-P52/TR-P30 (support structure)

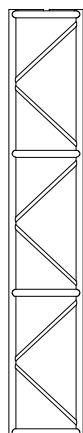
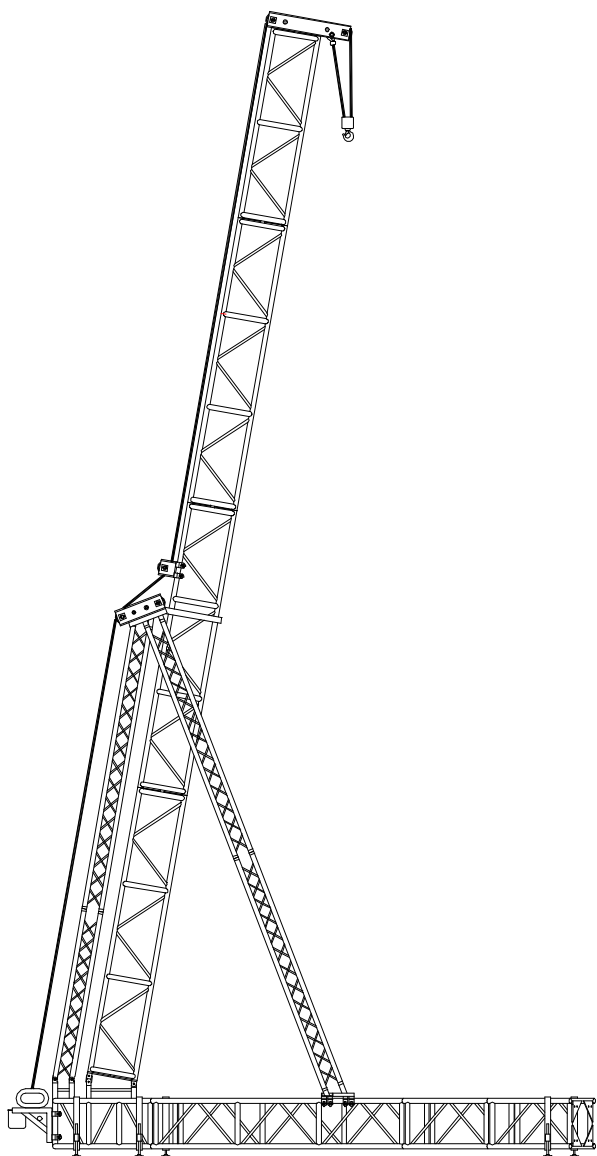
10 Balancers.

1 Pulley head ready for double sirge motor.

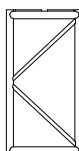
1 Sub-pulley head.

1 Motor support for 200kg elevation.

The 200kg CM Lodestar motor is available on request.



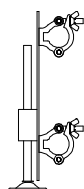
Truss
52 x 52 cm



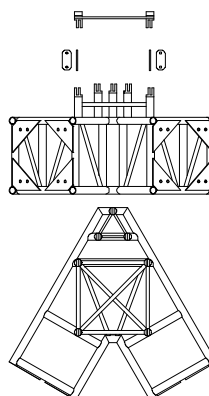
Pulley head



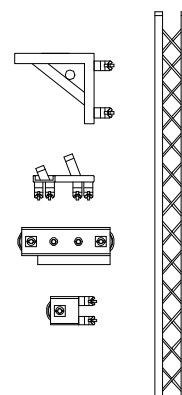
Balancers



Base corner



Supports & fixings





VMB ESPAÑOLA S.A.

Pol. Ind. Picassent - Calle 2, final - 46220 Picassent (VALENCIA) Spain
Tel.: 902 34 10 34 - Fax: 961 22 11 77 - Web: www.vmb.es - E-mail: contact@vmb.es