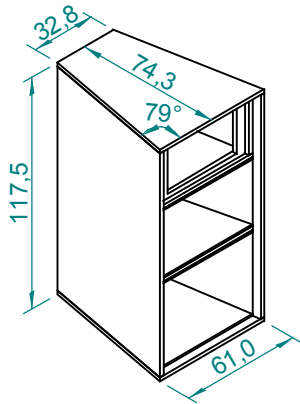


PAS1



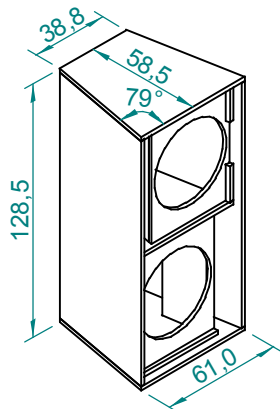
PAS1MA1
Components:

WPU1505 or
WPU1507
woofer

WPU1206 or
12MB2P
mid-bass

D4400Ti or
D408Ti or
D3300Ti DPD or
D3305Ti DPD
driver

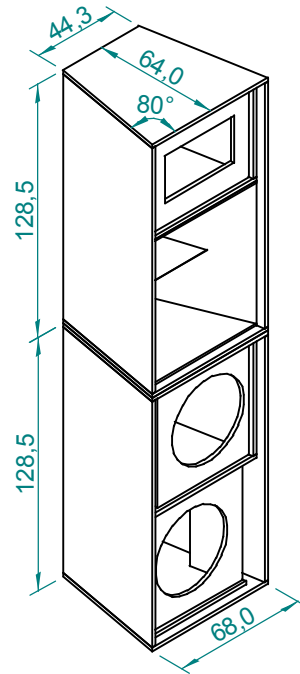
HL4750-SLF
horn



PAS1G1
Components:

WPU1805 or
WPU1807
woofer or
18SW1P or
18SW2P
subwoofer

PAS2 - Option 1



PAS2MA1
Components:

12MB2P
mid-bass

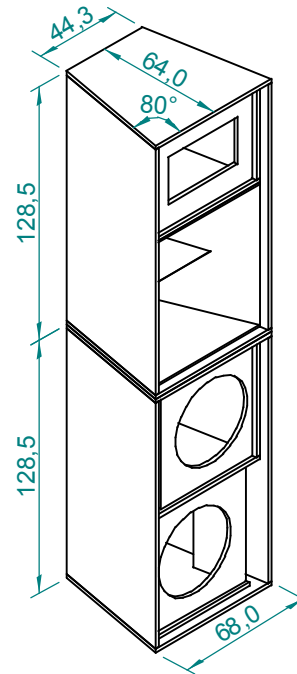
D4400Ti or
D408Ti or
D3300Ti DPD or
D3305Ti DPD
driver

HL4750-SLF
horn

PAS2G1
Components:

WPU1805 or
WPU1807
woofer or
18SW1P or
18SW2P
subwoofer

PAS2 - Option 2



PAS2MA2
Components:

10MB1P
mid-bass

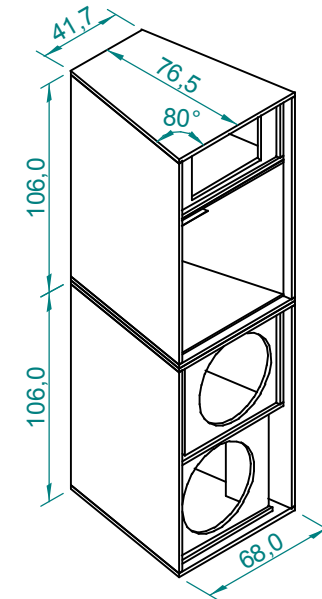
D4400Ti or
D408Ti or
D3300Ti DPD or
D3305Ti DPD
driver

HL4750-SLF
horn

PAS2G1
Components:

WPU1805 or
WPU1807
woofer or
18SW1P or
18SW2P
subwoofer

PAS3 - Option 1



PAS3MA1
Components:

WPU1206 or
12MB2P
mid-bass

D4400Ti or
D408Ti or
D3300Ti DPD or
D3305Ti DPD
driver

HL4750-SLF
horn

PAS3G1
Components:

WPU1805 or
WPU1807
woofer or
18SW1P or
18SW2P
subwoofer

Dimensions in cm.

Projection Angle:

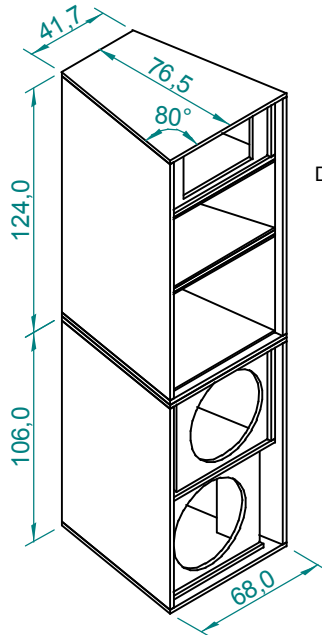
First

03/03 - Rev.: 01 - Page: 1/3

F:\CAIXAS ACÚSTICAS\PAS\PASINGLES

Specifications subject to
change without notice.

PAS3 - Option 2



PAS3MA2

Components:

WPU1505 or
WPU1507
woofer

12MB2P
mid-bass

D4400Ti or
D408Ti or
D3300Ti DPD or
D3305Ti DPD
driver

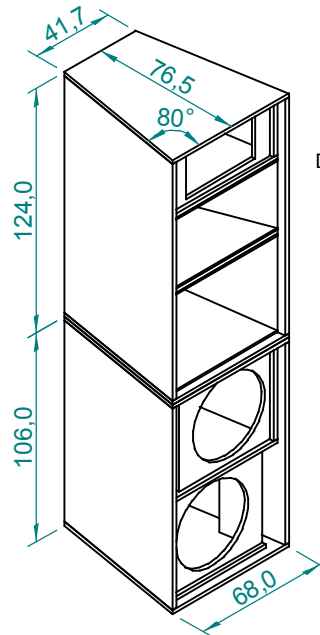
HL4750-SLF
horn

PAS3G1

Components:

WPU1805 or
WPU1807
woofer or
18SW1P or
18SW2P
subwoofer

PAS3 - Option 3



PAS3MA3

Components:

WPU1505 or
WPU1507
woofer

10MB1P
mid-bass

D4400Ti or
D408Ti or
D3300Ti DPD or
D3305Ti DPD
driver

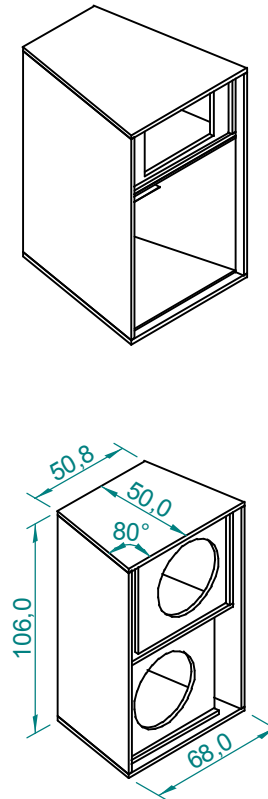
HL4750-SLF
horn

PAS3G1

Components:

WPU1805 or
WPU1807
woofer or
18SW1P or
18SW2P
subwoofer

PAS3 - Option 4



PAS3MA1

or

PAS3MA2

or

PAS3MA3

or

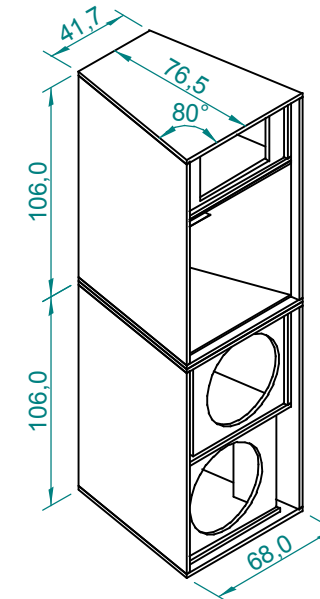
PAS3MA4

PAS3G2

Components:

WPU1505 or
WPU1507
woofer or
15SW1P
subwoofer

PAS3 - Option 5



PAS3MA4

Components:

10MB1P
mid-bass

D4400Ti or
D408Ti or
D3300Ti DPD or
D3305Ti DPD
driver

HL4750-SLF
horn

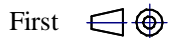
PAS3G1

Components:

WPU1805 or
WPU1807
woofer or
18SW1P or
18SW2P
subwoofer

Dimensions in cm.

Projection Angle:

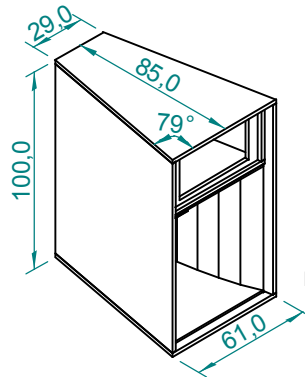


03/03 - Rev.: 01 - Page: 2/3

F:\CAIXAS ACÚSTICAS\PAS\PASINGLES

Specifications subject to
change without notice.

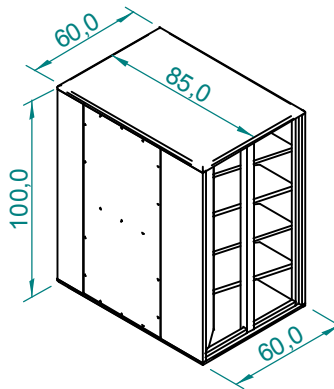
PAS4 - Option 1



PAS4MA1
Components:
WPU1206 or
12MB2P
mid-bass

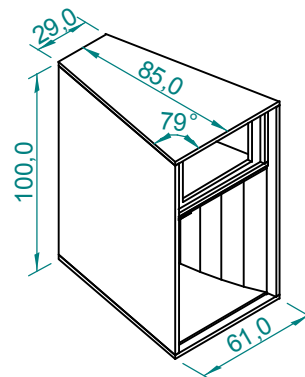
D4400Ti or
D408Ti or
D3300Ti DPD or
D3305Ti DPD
driver

HL4750-SLF
horn



HB1502B1
Components:
WPU1505 or
WPU1507
woofer or
15SW1P
subwoofer

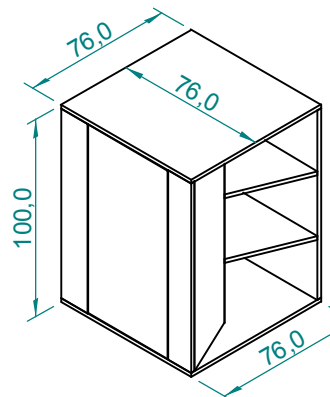
PAS4 - Option 2



PAS4MA1
Components:
WPU1206 or
12MB2P
mid-bass

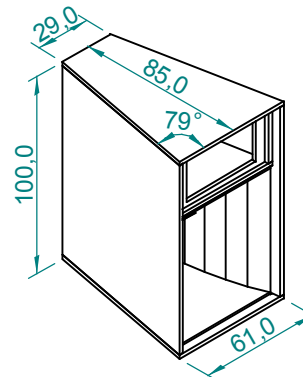
D4400Ti or
D408Ti or
D3300Ti DPD or
D3305Ti DPD
driver

HL4750-SLF
horn



HB1505D1
Components:
WPU1505 or
WPU1507
woofer or
15SW1P
subwoofer

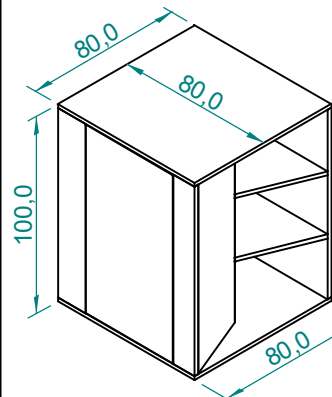
PAS4 - Option 3



PAS4MA1
Components:
WPU1206 or
12MB2P
mid-bass

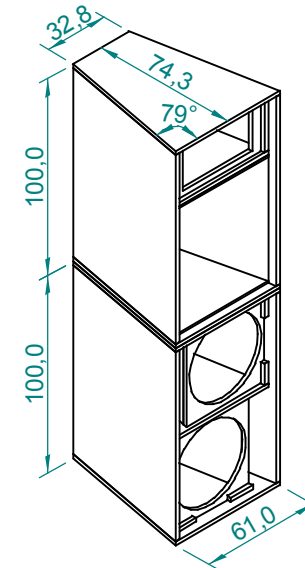
D4400Ti or
D408Ti or
D3300Ti DPD or
D3305Ti DPD
driver

HL4750-SLF
horn



HB1805C1
Components:
WPU1805 or
WPU1807
woofer or
18SW1P or
18SW2P
subwoofer

PAS5



PAS5MA1
Components:
WPU1206 or
12MB2P
mid-bass

D4400Ti or
D408Ti or
D3300Ti DPD or
D3305Ti DPD
driver

HL4750-SLF
horn

PAS5G1
Components:
WPU1805 or
WPU1807
woofer or
18SW1P or
18SW2P
subwoofer

Dimensions in cm.

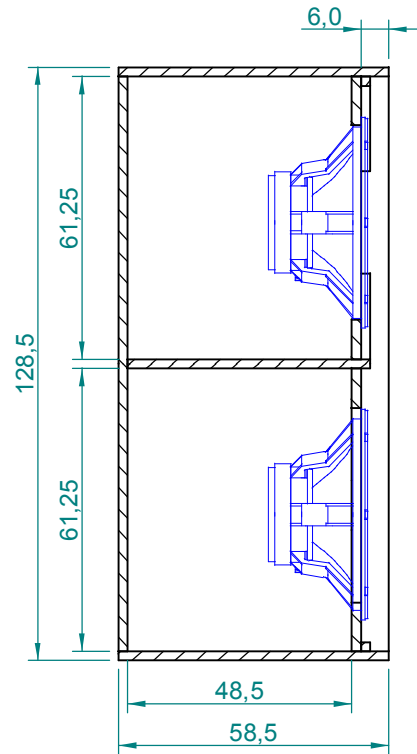
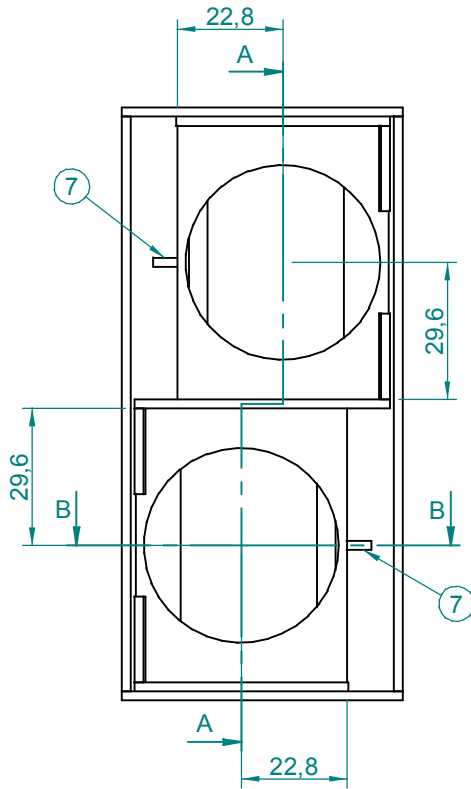
Projection Angle:

First

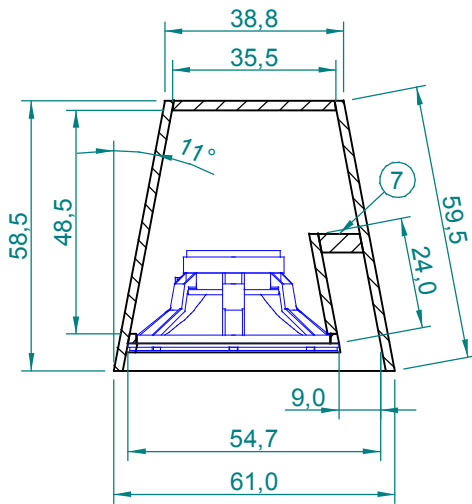
03/03 - Rev.: 01 - Page: 3/3

F:\CAIXAS ACÚSTICAS\PAS\PASINGLES

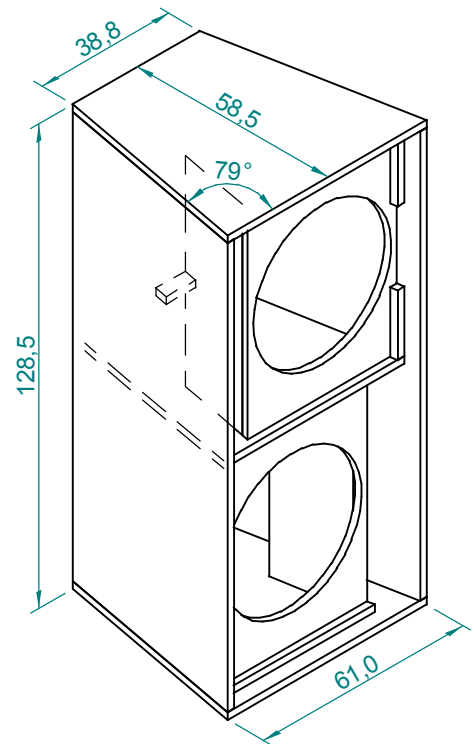
Specifications subject to
change without notice.



Section A-A



Section B-B



Dimensions in cm.

Projection Angle:

First

Specifications subject to change without notice.

03/03 - Rev.: 01 - Page: 1/5

F:\CAIXAS ACÚSTICAS\PAS\PAS1\PAS1G1\PAS1G1ANGLES

EUROPE Address:
SELENIUM EUROPE
Germany
www.seleniumloudspeakers.com

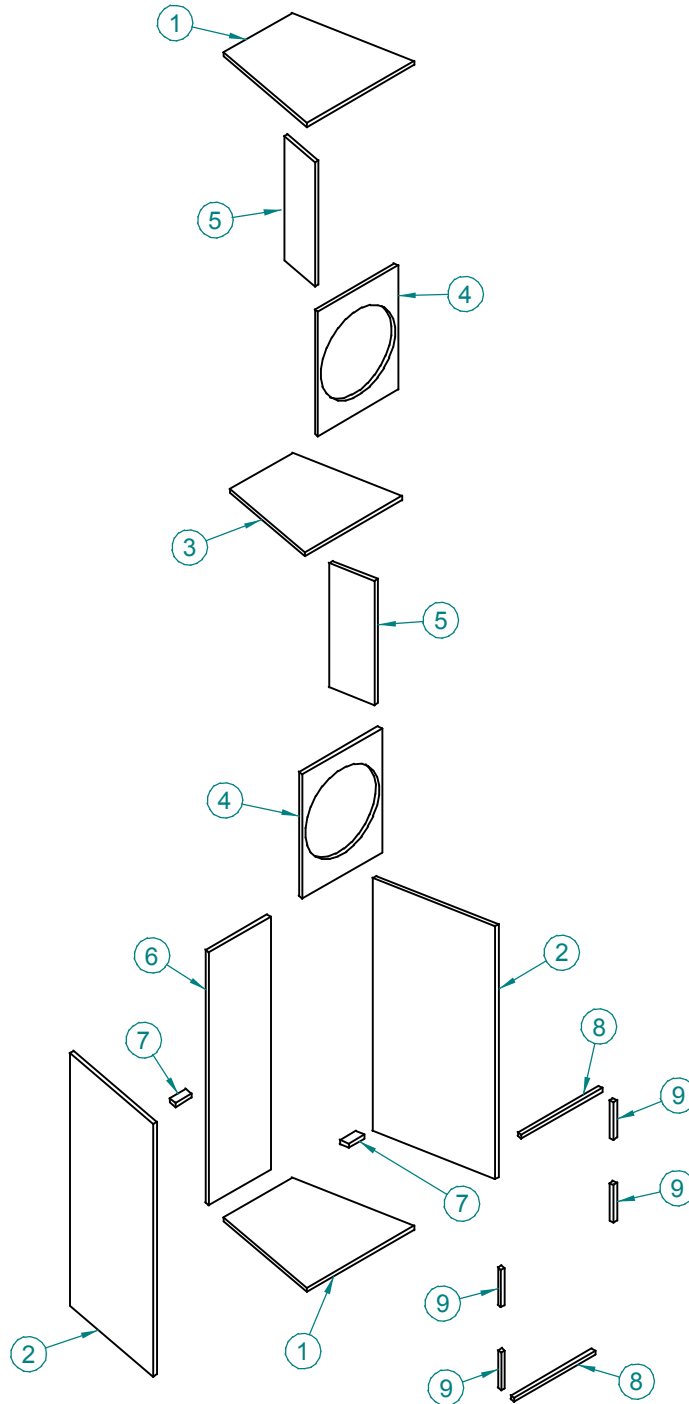
USA Address:
SELENIUM USA
USA
www.seleniumloudspeakers.com

SELENIUM
LOUDSPEAKERS

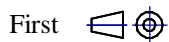
BRAZIL Address:
ELETRÔNICA SELENIUM S.A.
BR 386 Km 435 / 92.480-000
Nova Santa Rita - RS - Brazil
Fax: +(55) 51 479-1120
www.selenium.com.br

Low frequency cabinet, trapezoidal shape, bass-reflex type for use in PA systems with two 18" low frequency driver.

Components:
18SW1P or 18SW2P subwoofer or
WPU1805 or WPU1807 woofer (2 pieces)



Projection Angle:



Specifications subject to change without notice.

03/03 - Rev.: 01 - Page: 2/5

F:\CAIXAS ACÚSTICAS\PAS\PAS1\PAS1G1\PAS1G1INGLES

EUROPE Address:
SELENIUM EUROPE
Germany
www.seleniumloudspeakers.com

USA Address:
SELENIUM USA
USA
www.seleniumloudspeakers.com

NOTES:

Net internal volume of the 18" low frequency driver chamber: 110 liters (each).

Cut off Frequency:

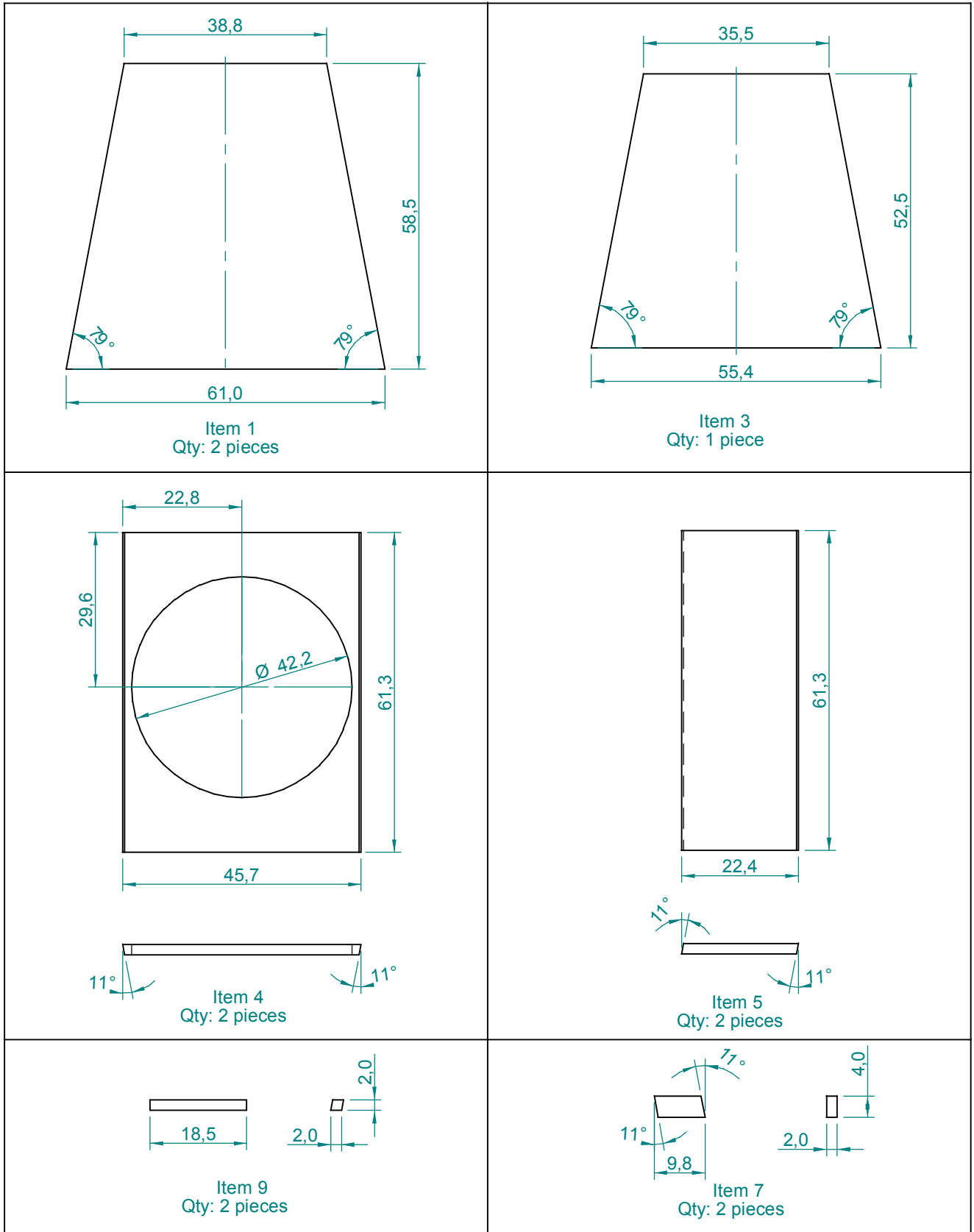
18" Speaker: Low: 40 Hz.

High: should match the low cut off frequency of the next channel enclosure.

Recommended Crossover: Active, Linkwitz-Riley, 24 dB/oct.

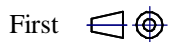
| Item | Qty | Description | Material | Notes |
|------|-----|--------------------|---------------|-------|
| 1 | 2 | Top/Botton | Plywood 20 mm | |
| 2 | 2 | Lateral | Plywood 20 mm | |
| 3 | 1 | Partition | Plywood 20 mm | |
| 4 | 2 | Front Panel | Plywood 20 mm | |
| 5 | 2 | Duct Wall | Plywood 20 mm | |
| 6 | 1 | Back | Plywood 20 mm | |
| 7 | 2 | Duct Reinforcement | Plywood 20 mm | |
| 8 | 2 | Frame 1 | Plywood 20 mm | |
| 9 | 4 | Frame 2 | Plywood 20 mm | |

Specifications subject to
change without notice.

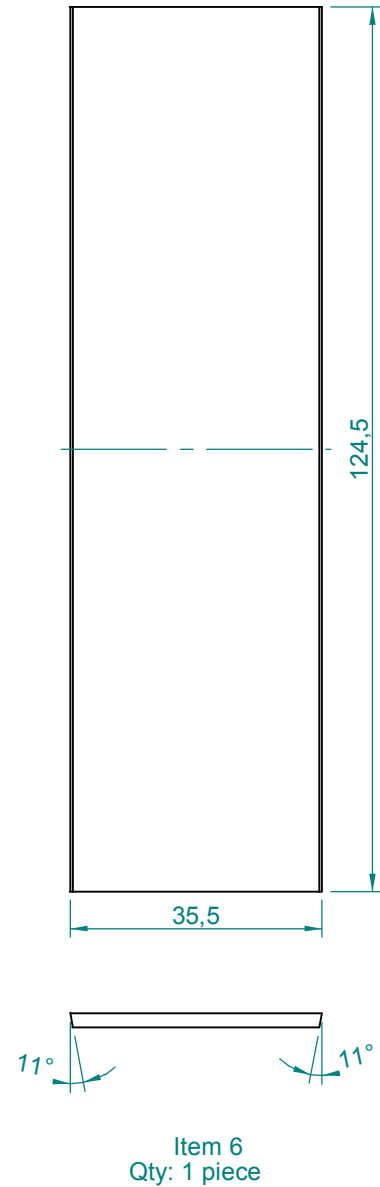
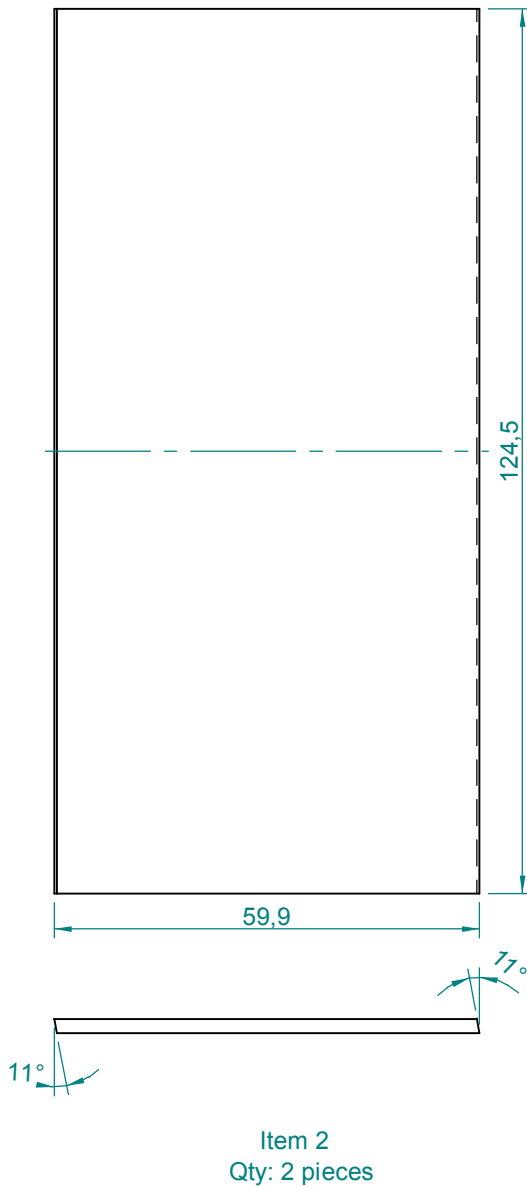
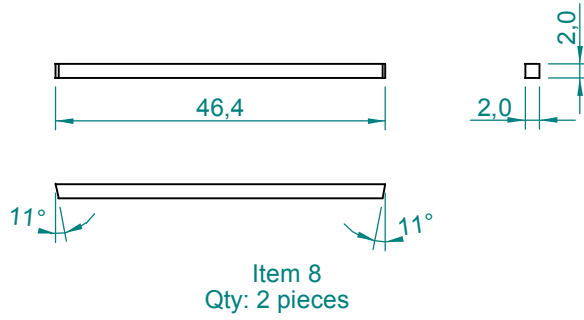


Dimensions in cm.

Projection Angle:

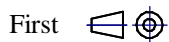


Specifications subject to change without notice.



Dimensions in cm.

Projection Angle:



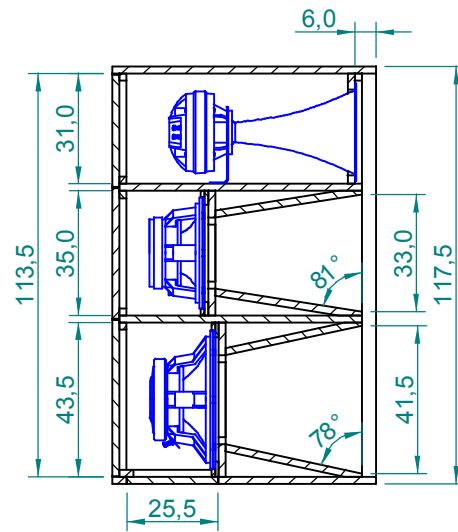
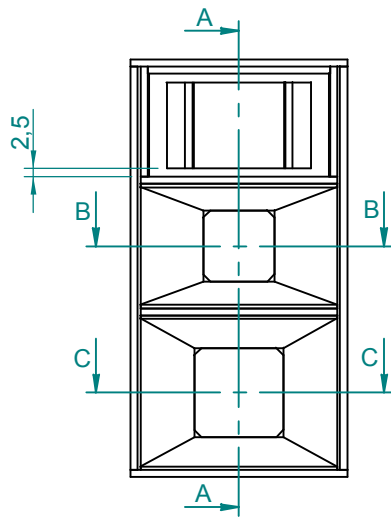
Specifications subject to
change without notice.

03/03 - Rev.: 01 - Page: 5/5

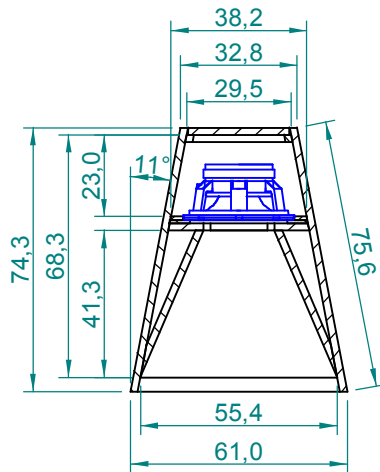
F:\CAIXAS ACÚSTICAS\PAS\PAS1\PAS1G1\PAS1G1ANGLES

EUROPE Address:
SELENIUM EUROPE
Germany
www.seleniumloudspeakers.com

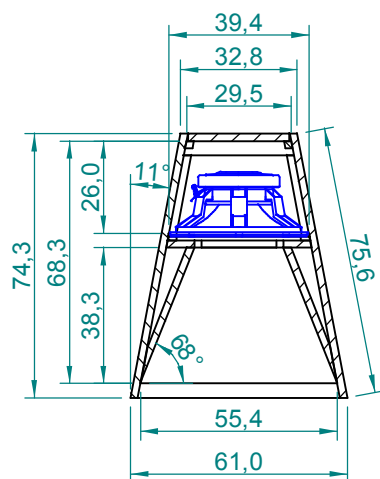
USA Address:
SELENIUM USA
USA
www.seleniumloudspeakers.com



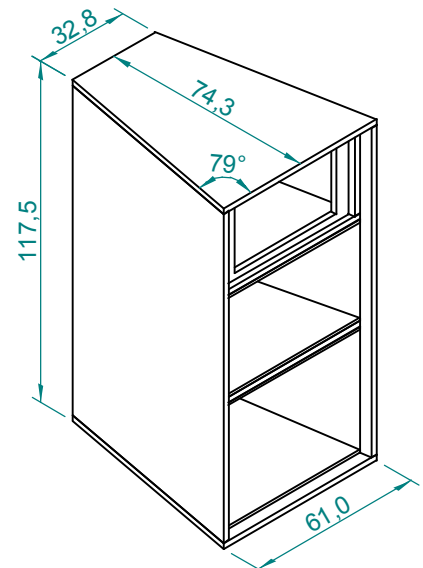
Section A-A



Section B-B



Section C-C



Dimensions in cm.

Projection Angle:

First

Specifications subject to change without notice.

03/03 - Rev.: 01 - Page: 1/6

F:\CAIXAS ACÚSTICAS\PAS\PAS1\PAS1MA1\PAS1MA1INGLÊS

EUROPE Address:
SELENIUM EUROPE
Germany
www.seleniumloudspeakers.com

USA Address:
SELENIUM USA
USA
www.seleniumloudspeakers.com

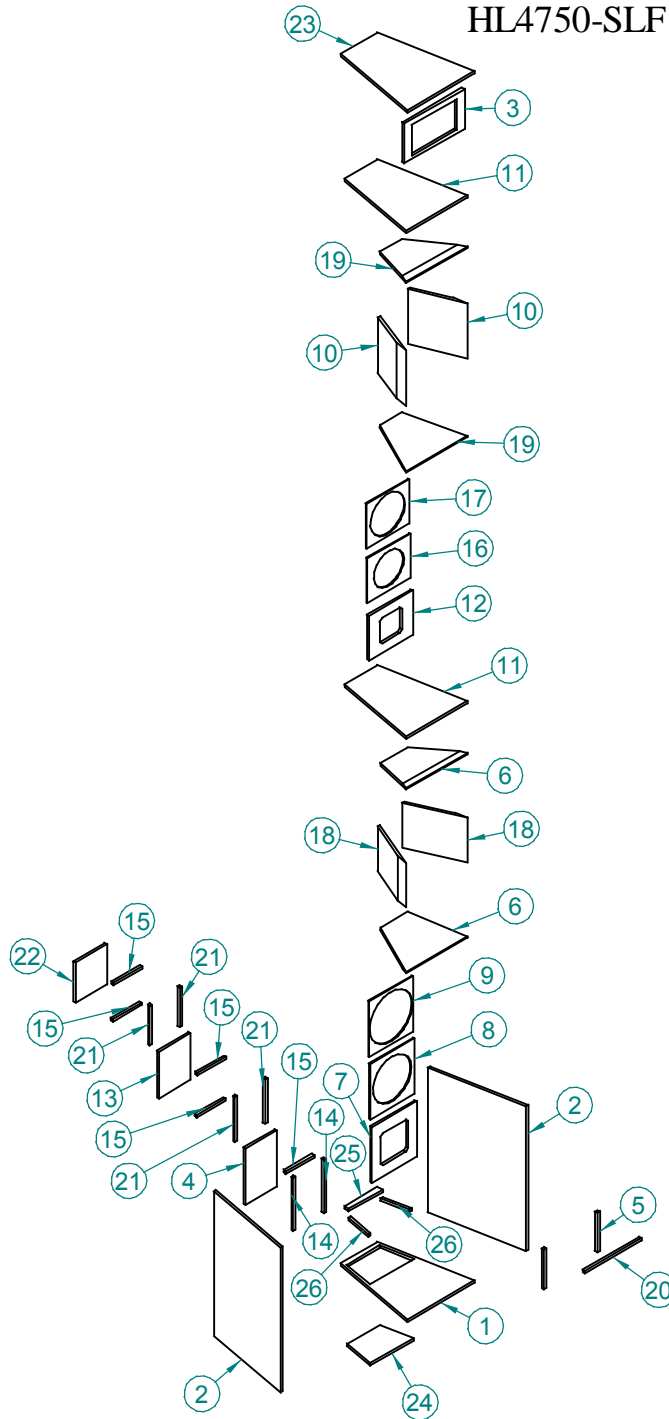
SELENIUM
LOUDSPEAKERS

BRAZIL Address:
ELETRÔNICA SELENIUM S.A.
BR 386 Km 435 / 92.480-000
Nova Santa Rita - RS - Brazil
Fax: +(55) 51 479-1120
www.selenium.com.br

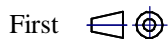
Trapezoidal cabinet, three way, horn type, for use in PA systems, with one 15" woofer, 12" mid-bass and titanium compression driver with horn.

Components:

- WPU1505 or WPU1507 woofer (1 piece)
- WPU1206 or 12MB2P mid-bass (1 piece)
- D4400Ti or D408Ti or D3300Ti DPD or D3305Ti DPD driver (1 piece)
- HL4750-SLF horn (1 piece)



Projection Angle:



Specifications subject to change without notice.

NOTES:

Cutt off frequency:

15" Speaker: Low: 120 Hz.
High: 300 Hz.

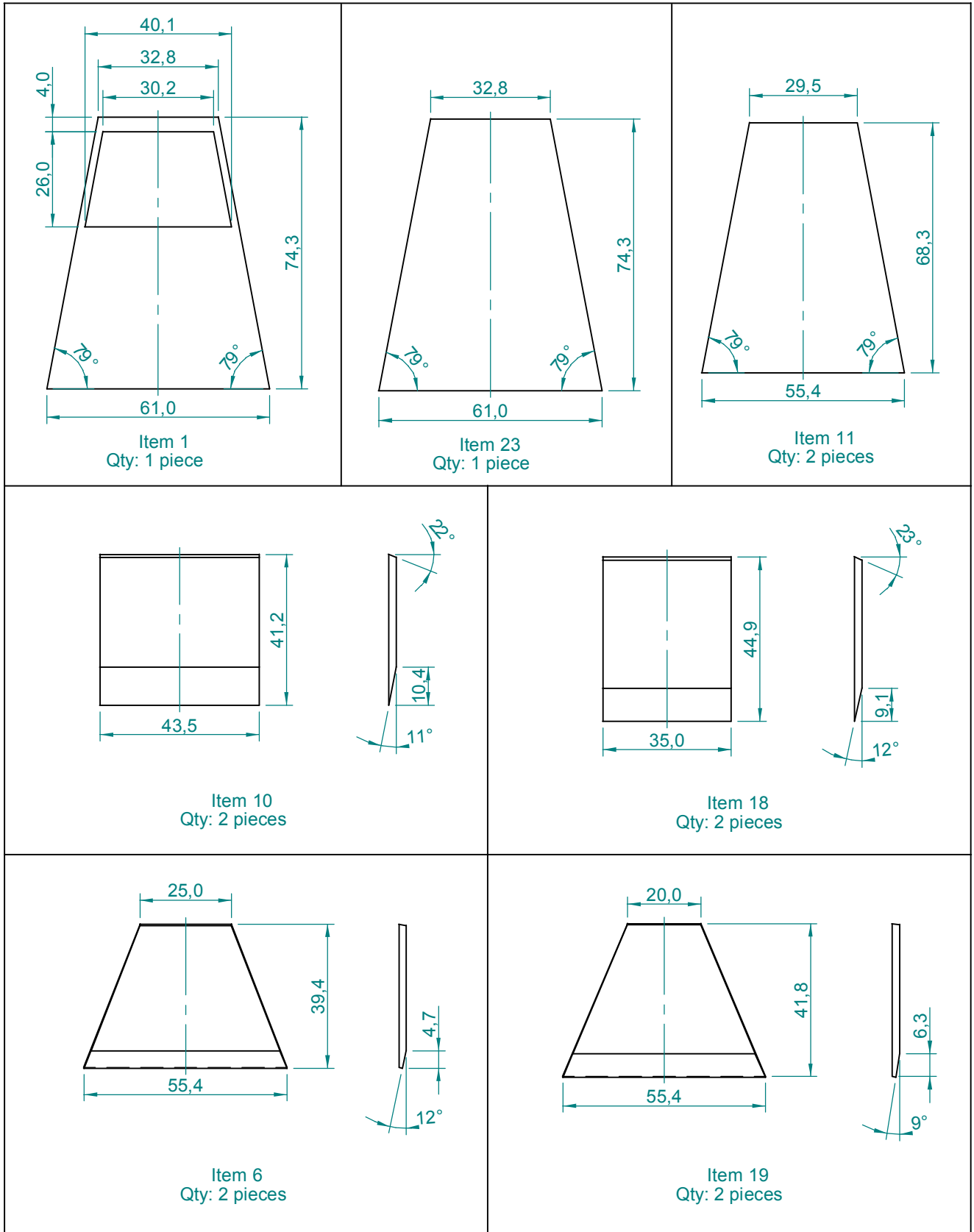
12" Speaker: Low: 300 Hz.
High: 1.200 Hz.

Driver: Low: 1.200 Hz.

Recommended Crossover: Active, Linkwitz-Riley, 24 dB/oct.

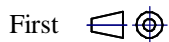
| Item | Qty | Description | Material | Notes |
|------|-----|----------------|---------------|-------|
| 1 | 1 | Botton | Plywood 20 mm | |
| 2 | 2 | Lateral | Plywood 20 mm | |
| 3 | 1 | Panel 1 | Plywood 20 mm | |
| 4 | 1 | Rear Panel 1 | Plywood 20 mm | |
| 5 | 4 | Frame 2 | Plywood 20 mm | |
| 6 | 2 | Ramp 1 | Plywood 20 mm | |
| 7 | 1 | Panel 2 | Plywood 20 mm | |
| 8 | 1 | Panel 3 | Plywood 10 mm | |
| 9 | 1 | Panel 4 | Plywood 10 mm | |
| 10 | 2 | Ramp 2 | Plywood 20 mm | |
| 11 | 2 | Partition 1 | Plywood 20 mm | |
| 12 | 1 | Panel 5 | Plywood 20 mm | |
| 13 | 1 | Rear Panel 2 | Plywood 20 mm | |
| 14 | 2 | Frame 3 | Plywood 20 mm | |
| 15 | 5 | Frame 4 | Plywood 20 mm | |
| 16 | 1 | Panel 6 | Plywood 10 mm | |
| 17 | 1 | Panel 7 | Plywood 10 mm | |
| 18 | 2 | Ramp 3 | Plywood 20 mm | |
| 19 | 2 | Ramp 4 | Plywood 20 mm | |
| 20 | 1 | Frame 1 | Plywood 20 mm | |
| 21 | 2 | Frame 5 | Plywood 20 mm | |
| 22 | 1 | Rear Panel 3 | Plywood 20 mm | |
| 23 | 1 | Top | Plywood 20 mm | |
| 24 | 1 | Inferior Panel | Plywood 20 mm | |
| 25 | 1 | Frame 6 | Plywood 20 mm | |
| 26 | 2 | Frame 7 | Plywood 20 mm | |

Specifications subject to
change without notice.

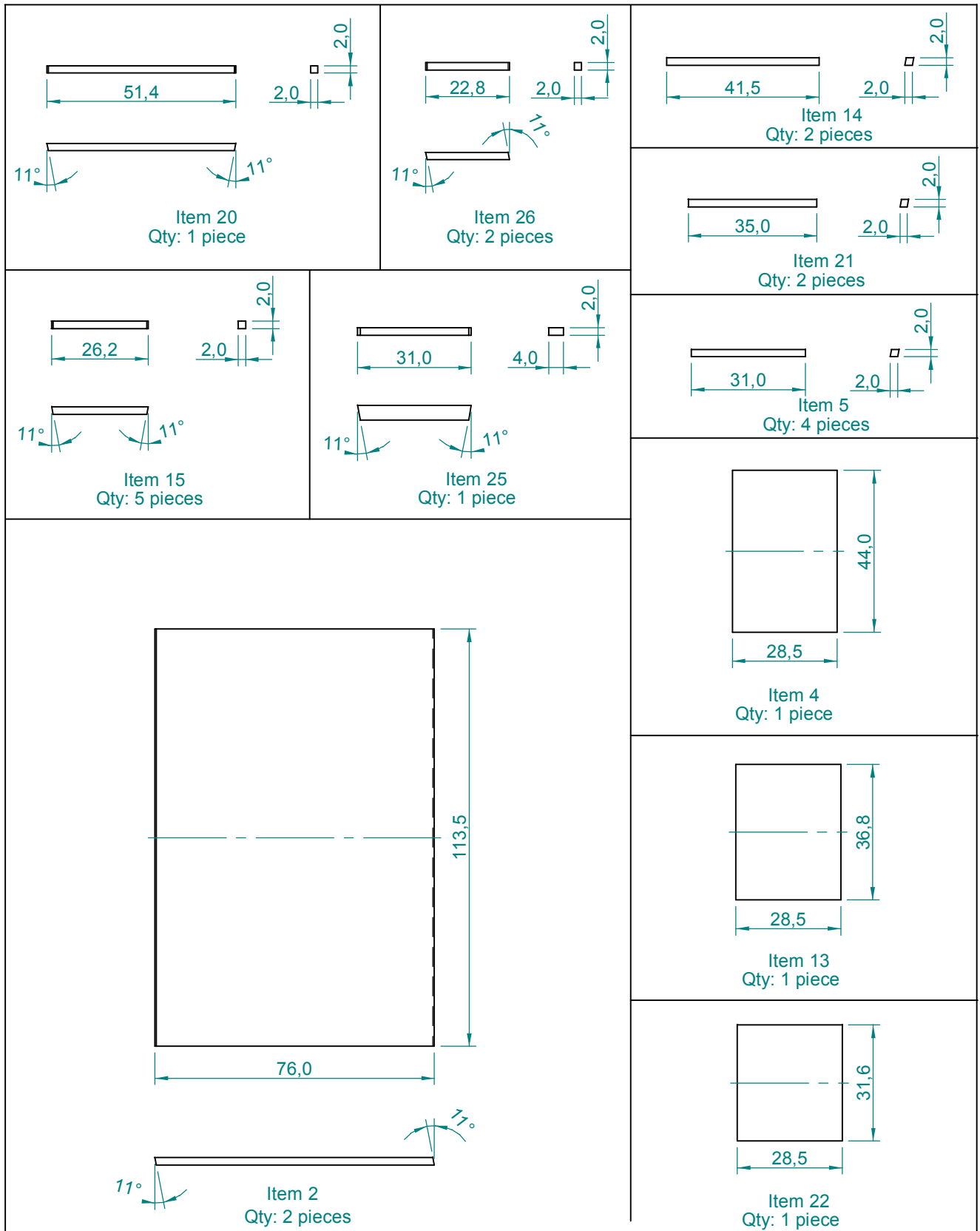


Dimensions in cm.

Projection Angle:

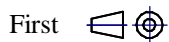


Specifications subject to change without notice.

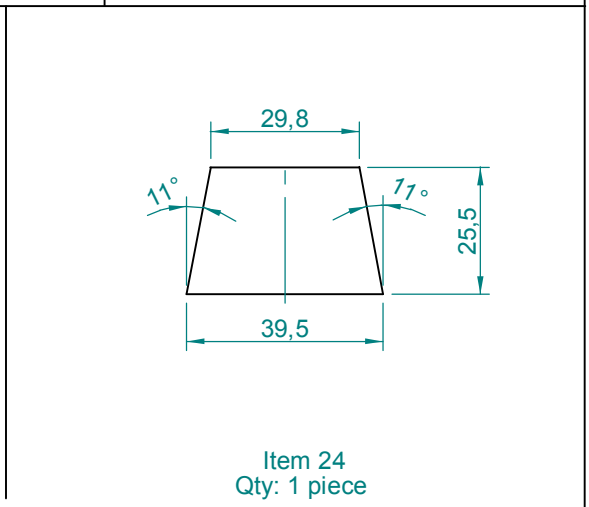
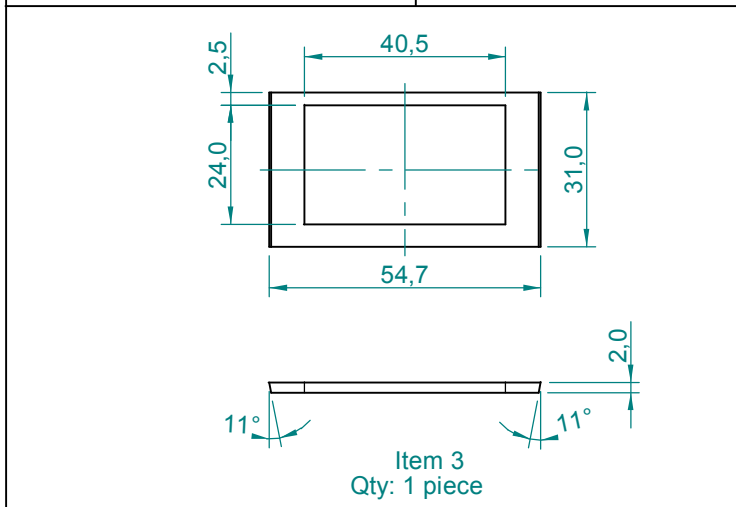
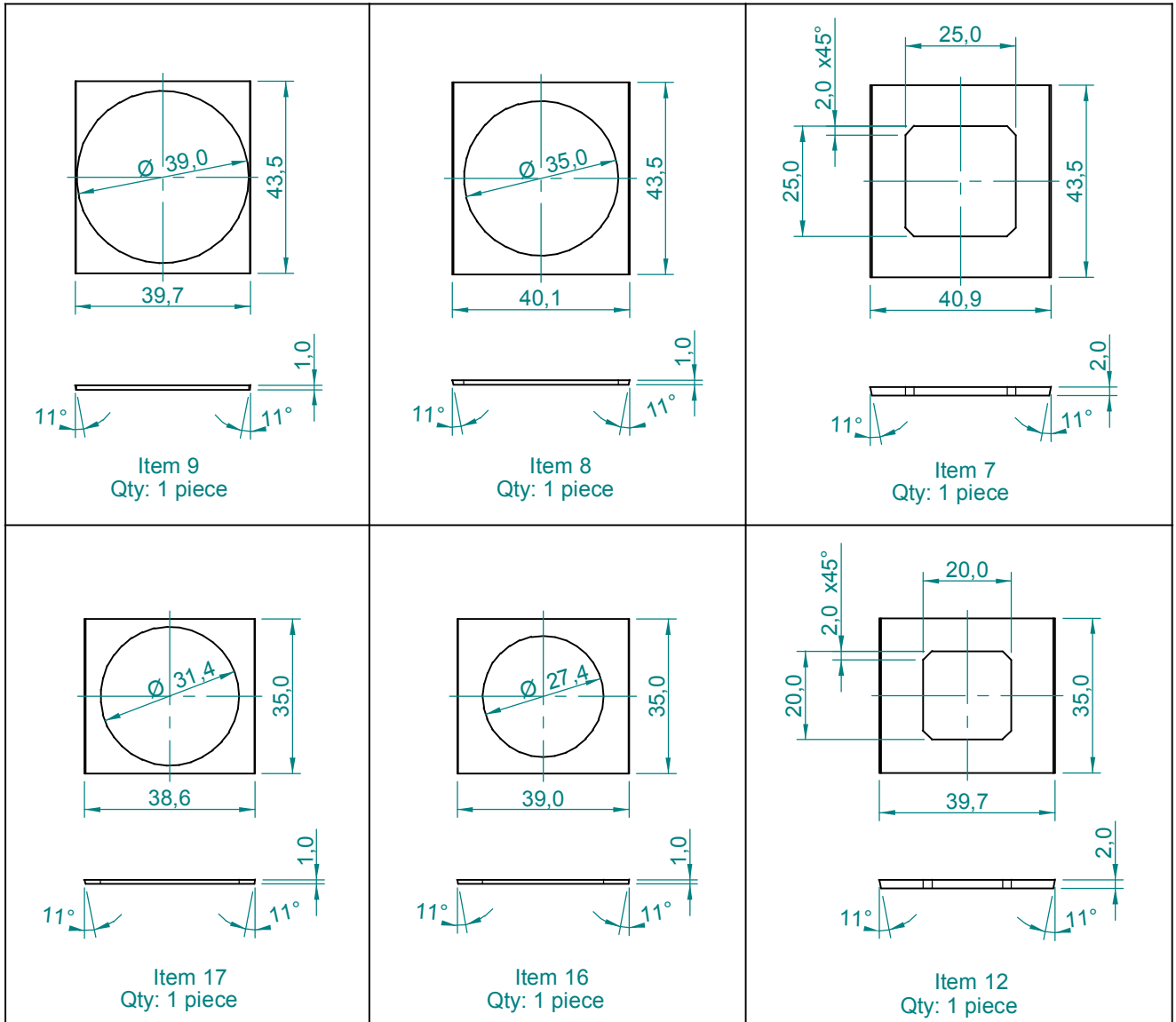


Dimensions in cm.

Projection Angle:

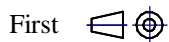


Specifications subject to change without notice.

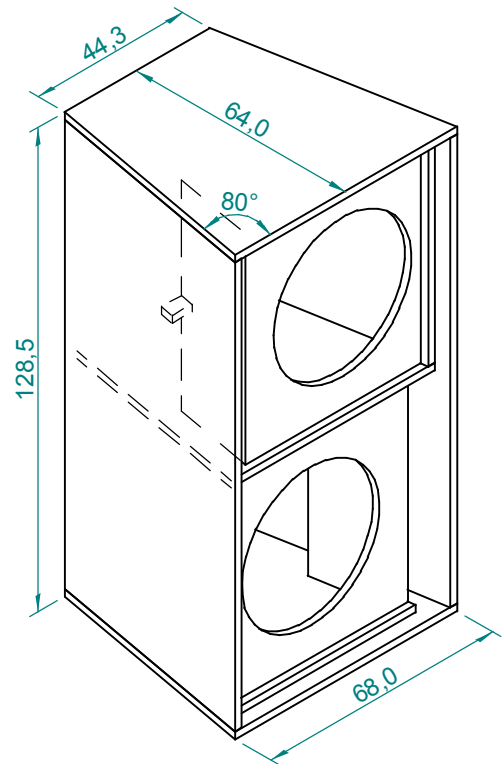
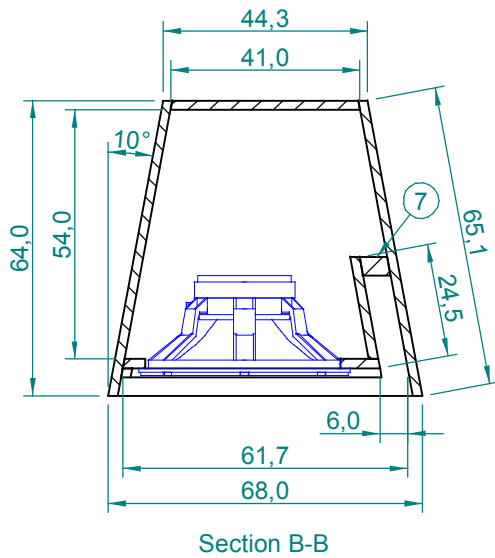
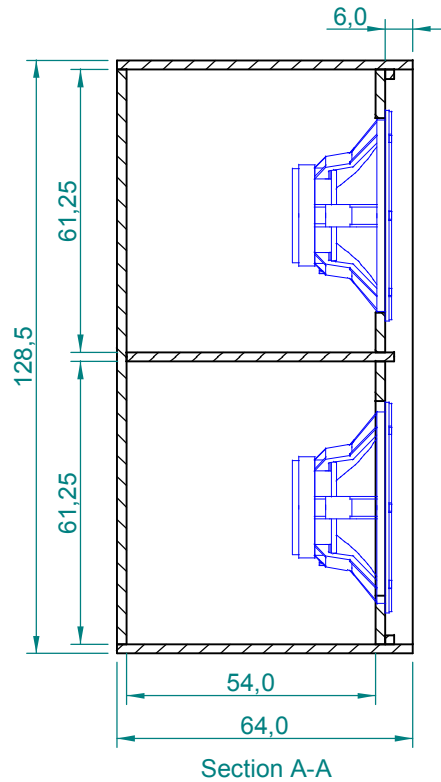
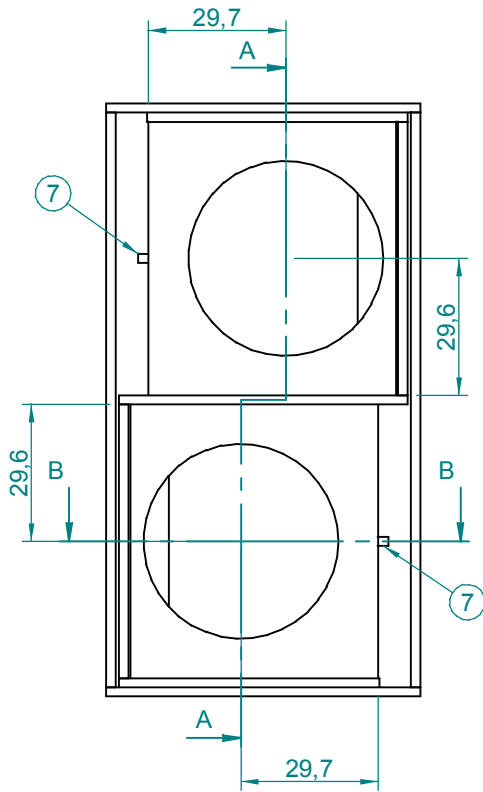


Dimensions in cm.

Projection Angle:



Specifications subject to change without notice.



Dimensions in cm.

Projection Angle:

First

Specifications subject to
change without notice.

03/03 - Rev.: 01 - Page: 1/5

F:\CAIXAS ACÚSTICAS\PAS\PAS2\PAS2G1\PAS2G1\INGLES

EUROPE Address:
SELENIUM EUROPE
Germany
www.seleniumloudspeakers.com

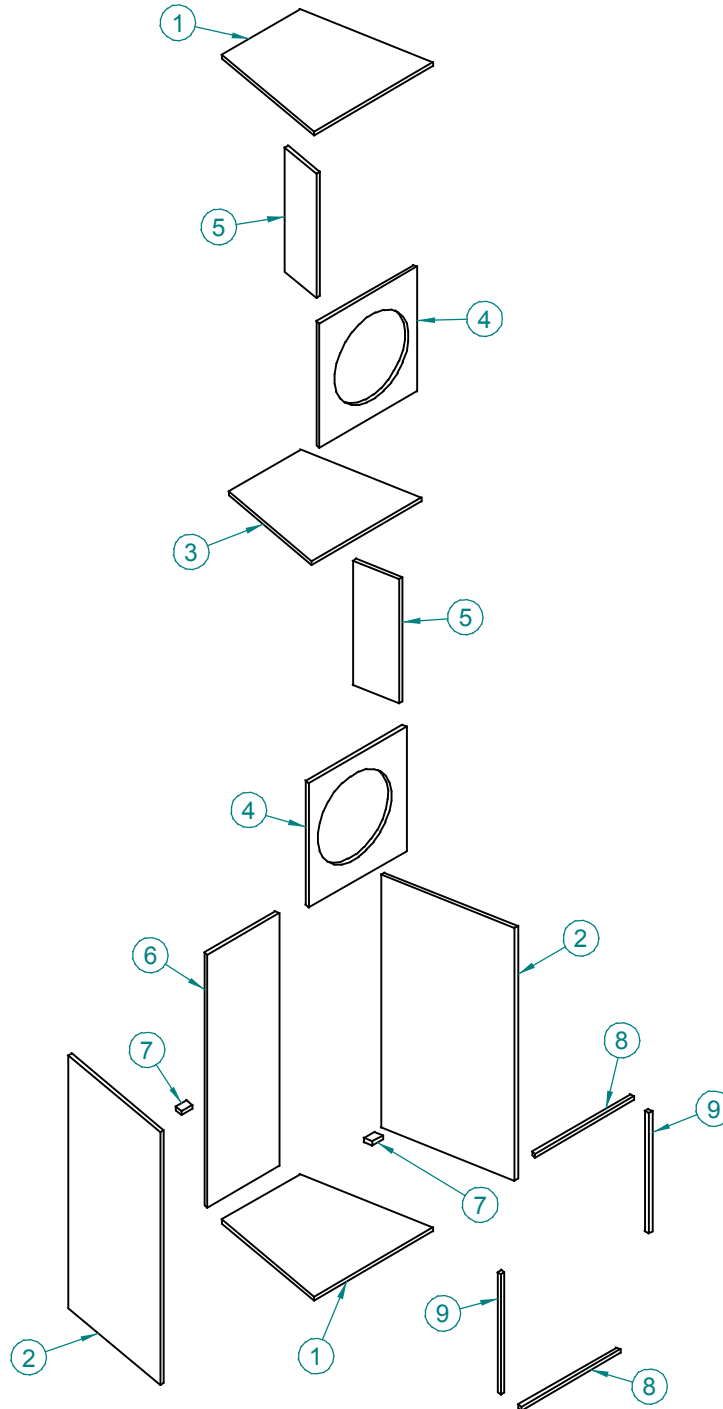
USA Address:
SELENIUM USA
USA
www.seleniumloudspeakers.com

SELENIUM
LOUDSPEAKERS

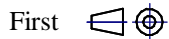
BRAZIL Address:
ELETRÔNICA SELENIUM S.A.
BR 386 Km 435 / 92.480-000
Nova Santa Rita - RS - Brazil
Fax: +(55) 51 479-1120
www.selenium.com.br

Low frequency cabinet, trapezoidal shape, bass-reflex type for use in PA systems with two 18" low frequency driver.

Components:
18SW1P or 18SW2P subwoofer or
WPU1805 or WPU1807 woofer (2 pieces)



Projection Angle:



Specifications subject to change without notice.

03/03 - Rev.: 01 - Page: 2/5

NOTES:

Net internal volume of the 18" low frequency driver chamber: 150 liters (each).

Cut off Frequency:

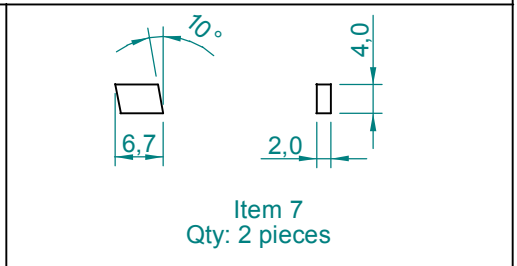
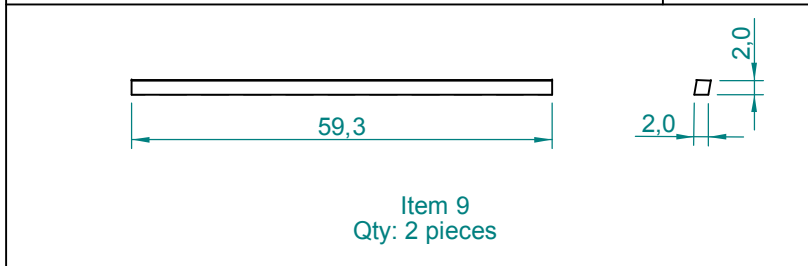
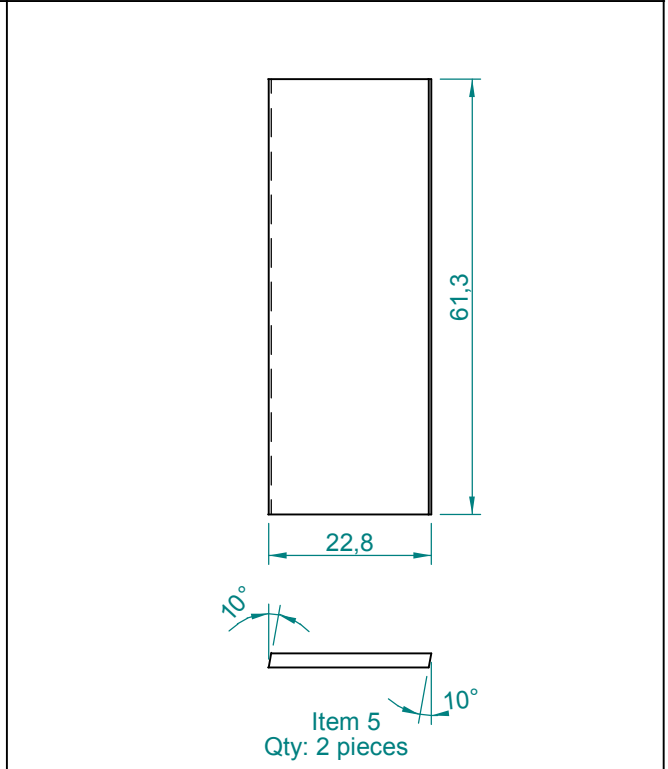
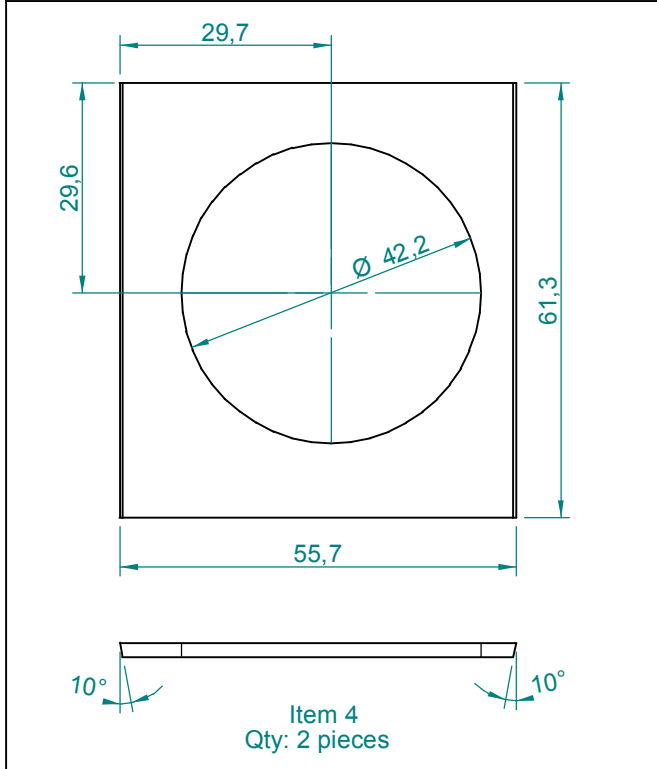
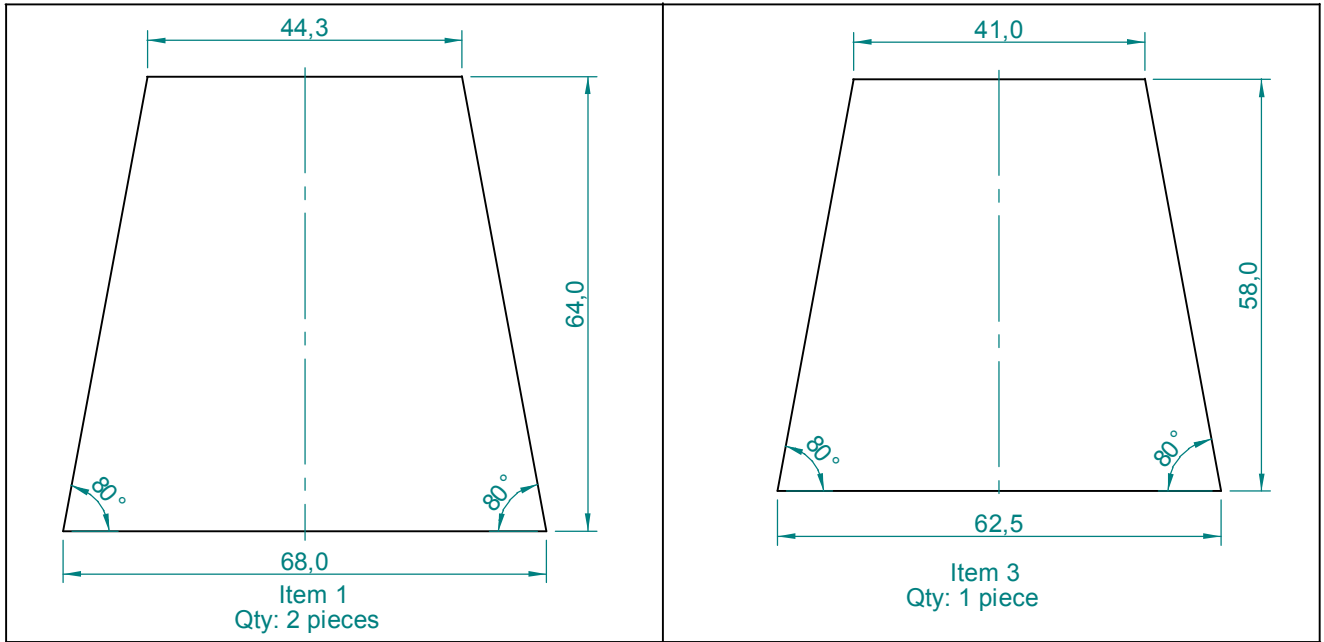
18" Speaker: Low: 40 Hz.

High: should match the low cut off frequency of the next channel enclosure.

Recommended Crossover: Active, Linkwitz-Riley, 24 dB/oct.

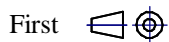
| Item | Qty | Description | Material | Notes |
|------|-----|--------------------|---------------|-------|
| 1 | 2 | Top/Botton | Plywood 20 mm | |
| 2 | 2 | Lateral | Plywood 20 mm | |
| 3 | 1 | Partition | Plywood 20 mm | |
| 4 | 2 | Front Panel | Plywood 20 mm | |
| 5 | 2 | Duct Wall | Plywood 20 mm | |
| 6 | 1 | Back | Plywood 20 mm | |
| 7 | 2 | Duct Reinforcement | Plywood 20 mm | |
| 8 | 2 | Frame 1 | Plywood 20 mm | |
| 9 | 2 | Frame 2 | Plywood 20 mm | |

Specifications subject to
change without notice.

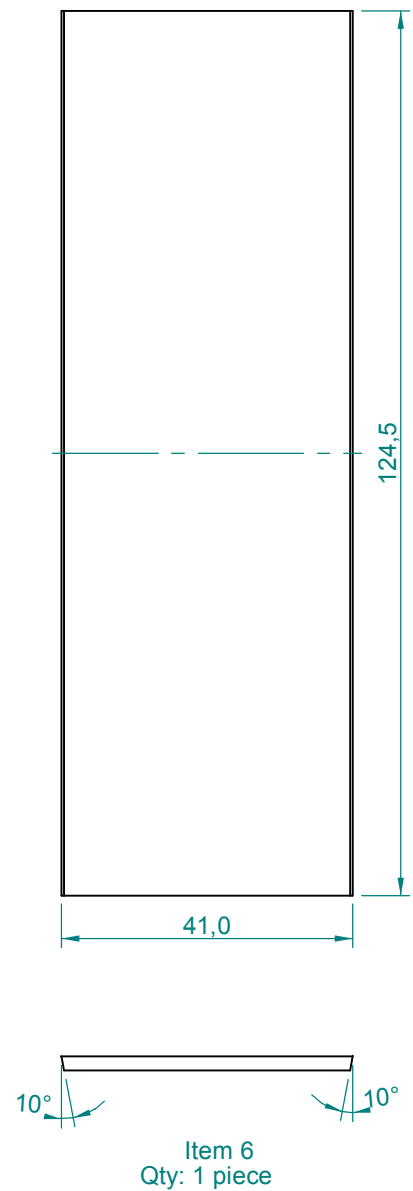
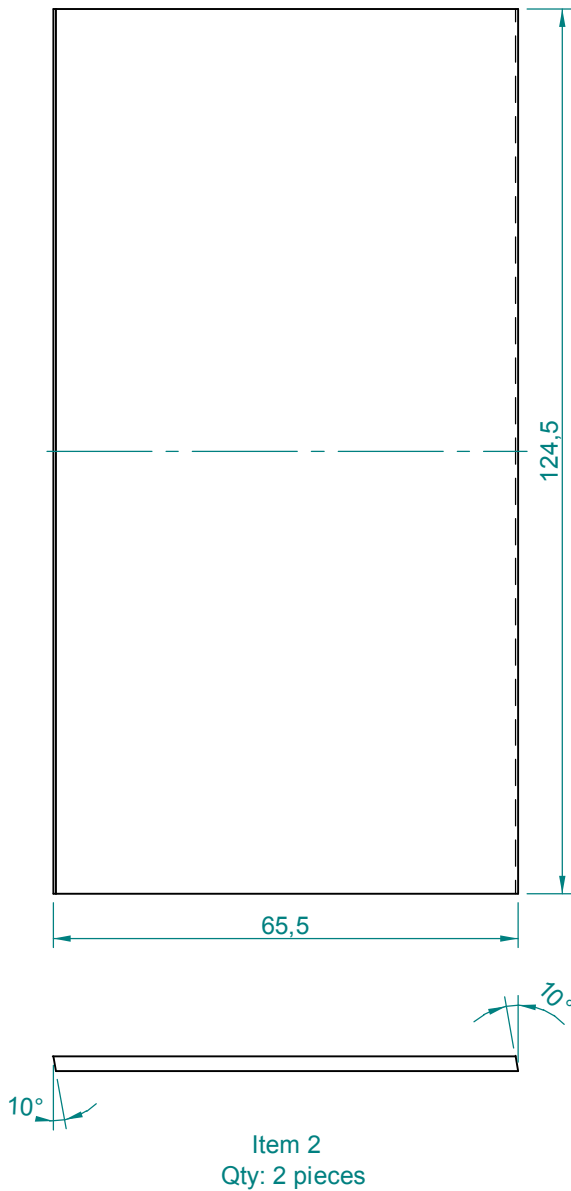
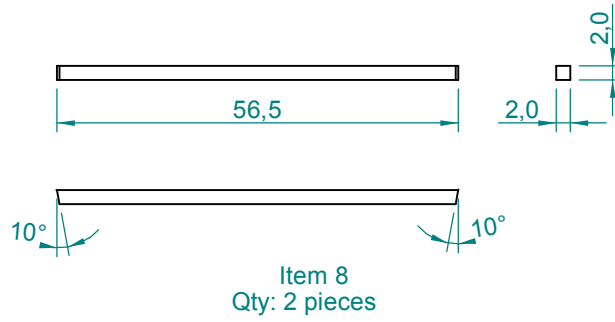


Dimensions in cm.

Projection Angle:



Specifications subject to
change without notice.



Dimensions in cm.

Projection Angle:

First

Specifications subject to change without notice.

03/03 - Rev.: 01 - Page: 5/5

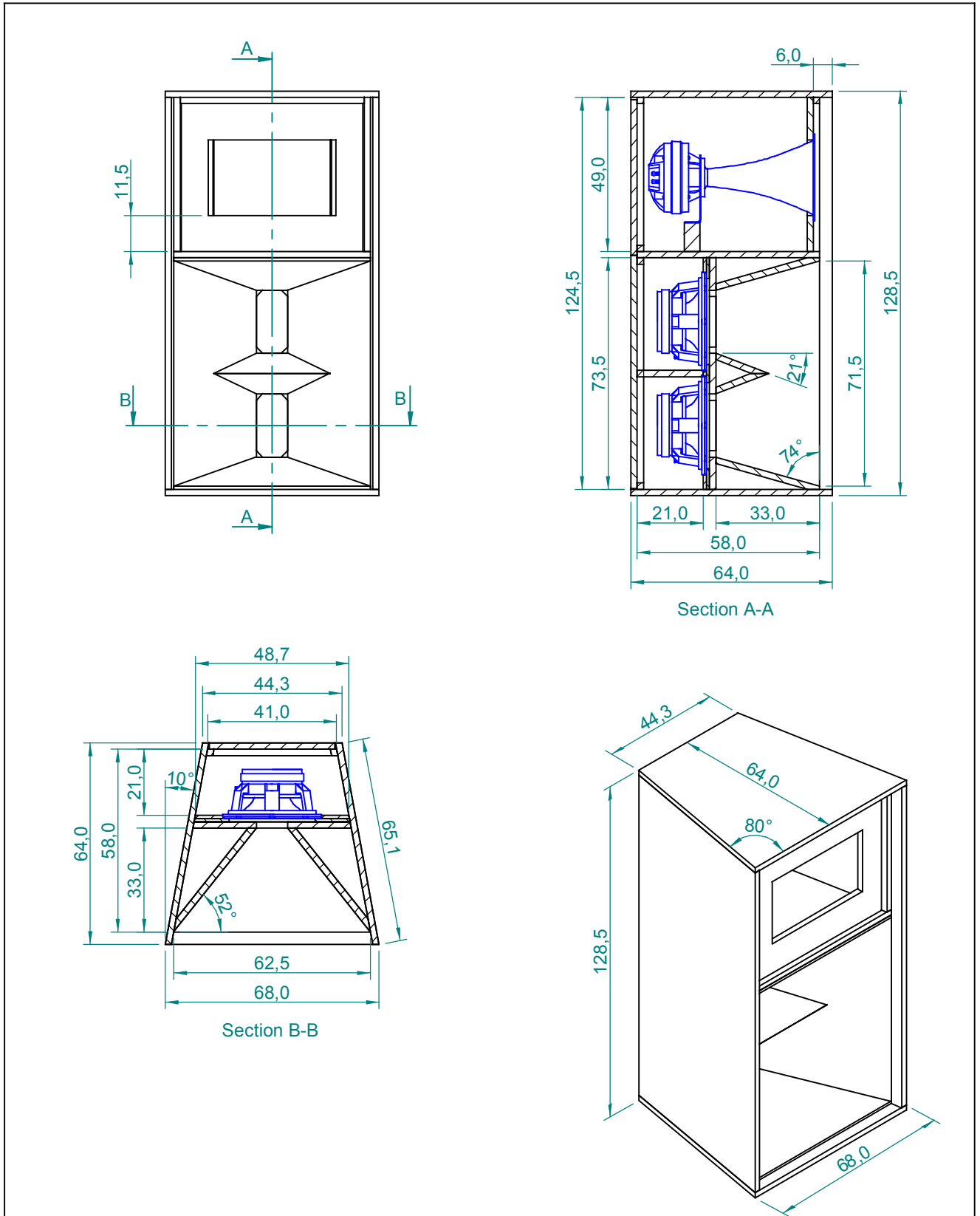
F:\CAIXAS ACÚSTICAS\PAS\PAS2\PAS2G1\PAS2G1\INGLES

EUROPE Address:
SELENIUM EUROPE
Germany
www.seleniumloudspeakers.com

USA Address:
SELENIUM USA
USA
www.seleniumloudspeakers.com

SELENIUM
LOUDSPEAKERS

BRAZIL Address:
ELETRÔNICA SELENIUM S.A.
BR 386 Km 435 / 92.480-000
Nova Santa Rita - RS - Brazil
Fax: +(55) 51 479-1120
www.selenium.com.br



Dimensions in cm.

Projection Angle:

First

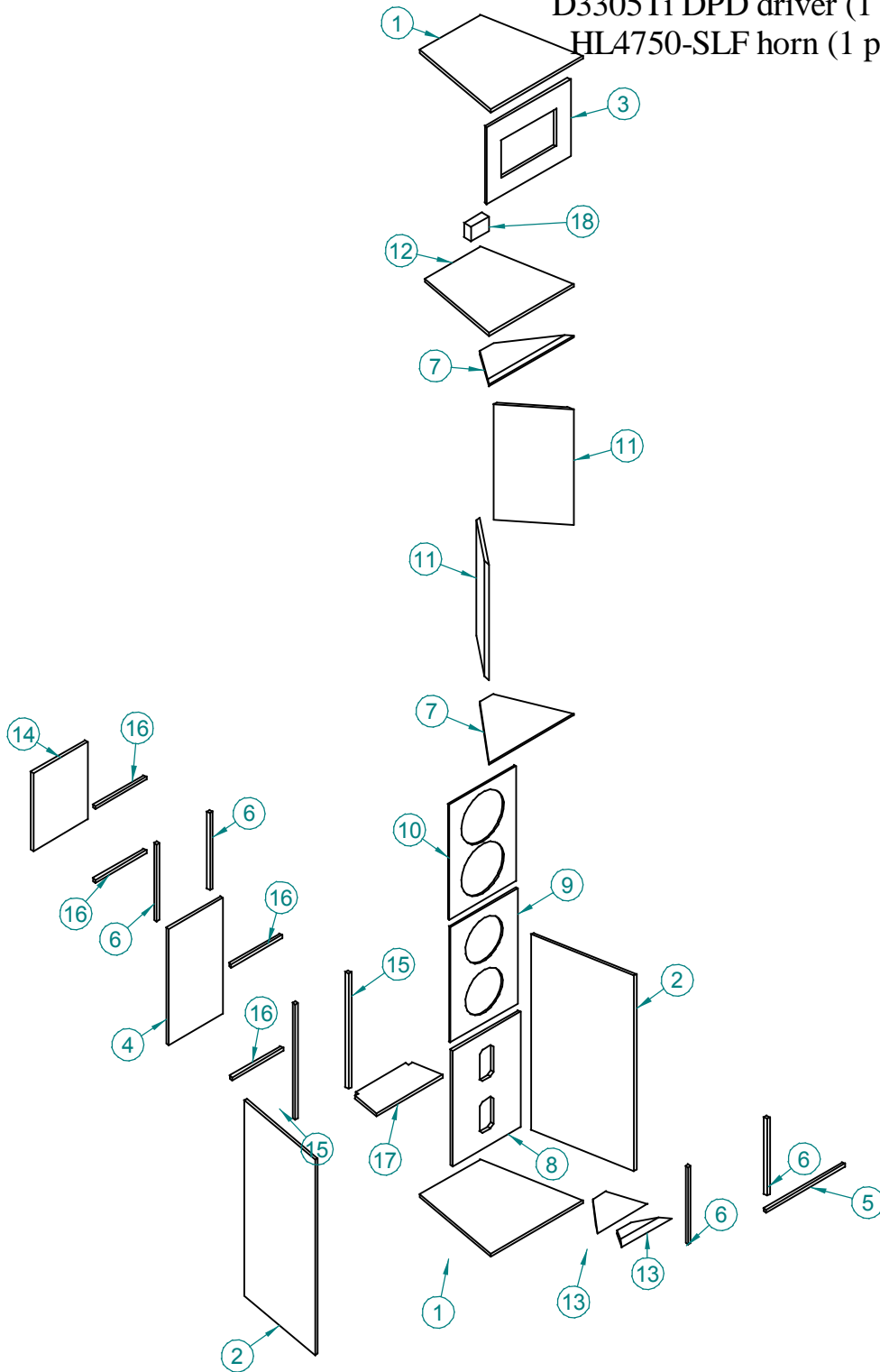
Specifications subject to change without notice.

03/03 - Rev.: 01 - Page: 1/6

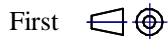
Trapezoidal cabinet, two way, horn type, for use in PA systems, with two 12" mid-bass and one titanium compression driver with horn.

Components:

- 12MB2P mid-bass (2 pieces)
- D4400Ti or D408Ti or D3300Ti DPD or D3305Ti DPD driver (1 piece)
- HL4750-SLF horn (1 piece)



Projection Angle:



Specifications subject to change without notice.

03/03 - Rev.: 01 - Page: 2/6

NOTES:

Cut off Frequency:

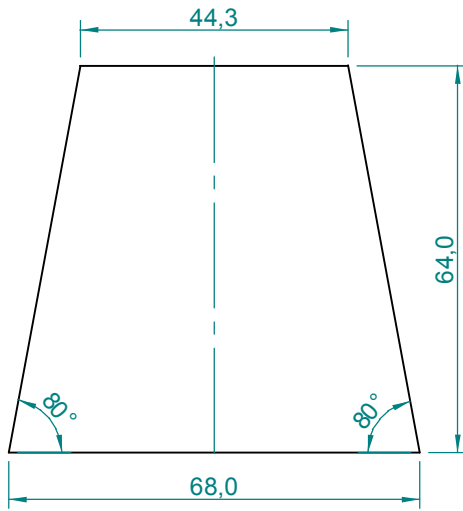
12" Speaker: Low: 200 Hz.
High: 1.200 Hz.

Driver: Low: 1.200 Hz.

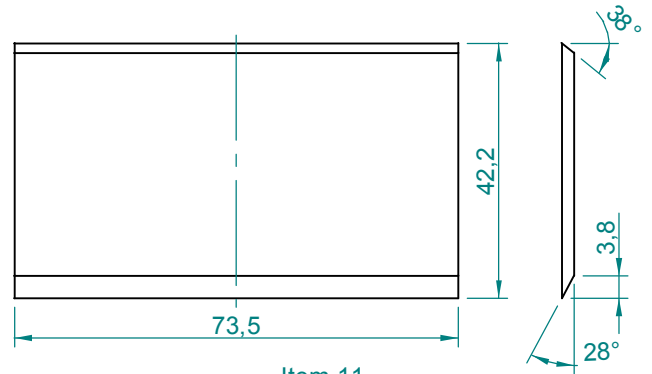
Recommended Crossover: Active, Linkwitz-Riley, 24 dB/oct.

| Item | Qty | Description | Material | Notes |
|------|-----|---------------------------|---------------|-------|
| 1 | 2 | Top/Bottom | Plywood 20 mm | |
| 2 | 2 | Lateral | Plywood 20 mm | |
| 3 | 1 | Panel 1 | Plywood 20 mm | |
| 4 | 1 | Rear Panel 1 | Plywood 20 mm | |
| 5 | 1 | Frame 1 | Plywood 20 mm | |
| 6 | 4 | Frame 2 | Plywood 20 mm | |
| 7 | 2 | Ramp 1 | Plywood 20 mm | |
| 8 | 1 | Panel 2 | Plywood 20 mm | |
| 9 | 1 | Panel 3 | Plywood 10 mm | |
| 10 | 1 | Panel 4 | Plywood 10 mm | |
| 11 | 2 | Ramp 2 | Plywood 20 mm | |
| 12 | 1 | Partition 1 | Plywood 20 mm | |
| 13 | 2 | Wedge | Plywood 20 mm | |
| 14 | 1 | Rear Panel 2 | Plywood 20 mm | |
| 15 | 2 | Frame 3 | Plywood 20 mm | |
| 16 | 4 | Frame 4 | Plywood 20 mm | |
| 17 | 1 | Partition 2 | Plywood 20 mm | |
| 18 | 1 | Wedge to Support the Horn | Wood | |

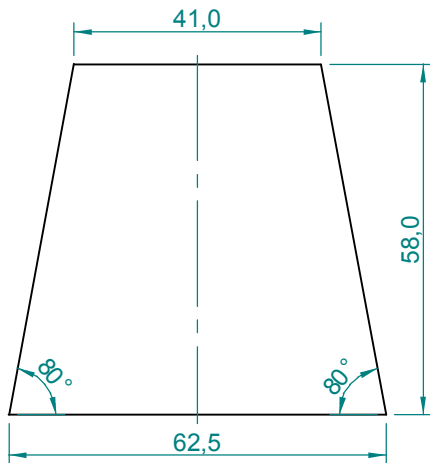
Specifications subject to
change without notice.



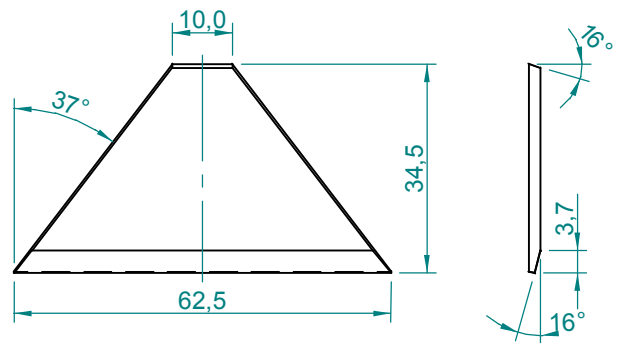
Item 1
Qty: 2 pieces



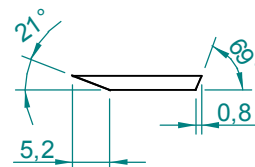
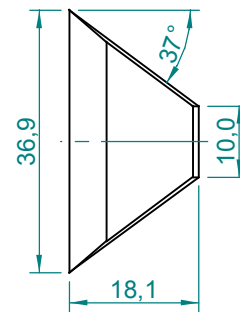
Item 11
Qty: 2 pieces



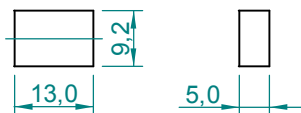
Item 12
Qty: 1 piece



Item 7
Qty: 2 pieces



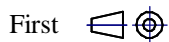
Item 13
Qty: 2 pieces



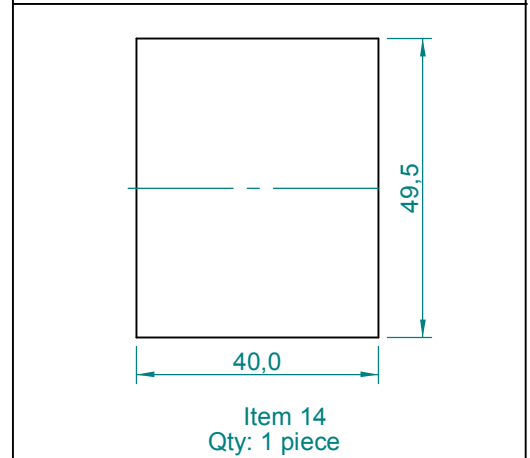
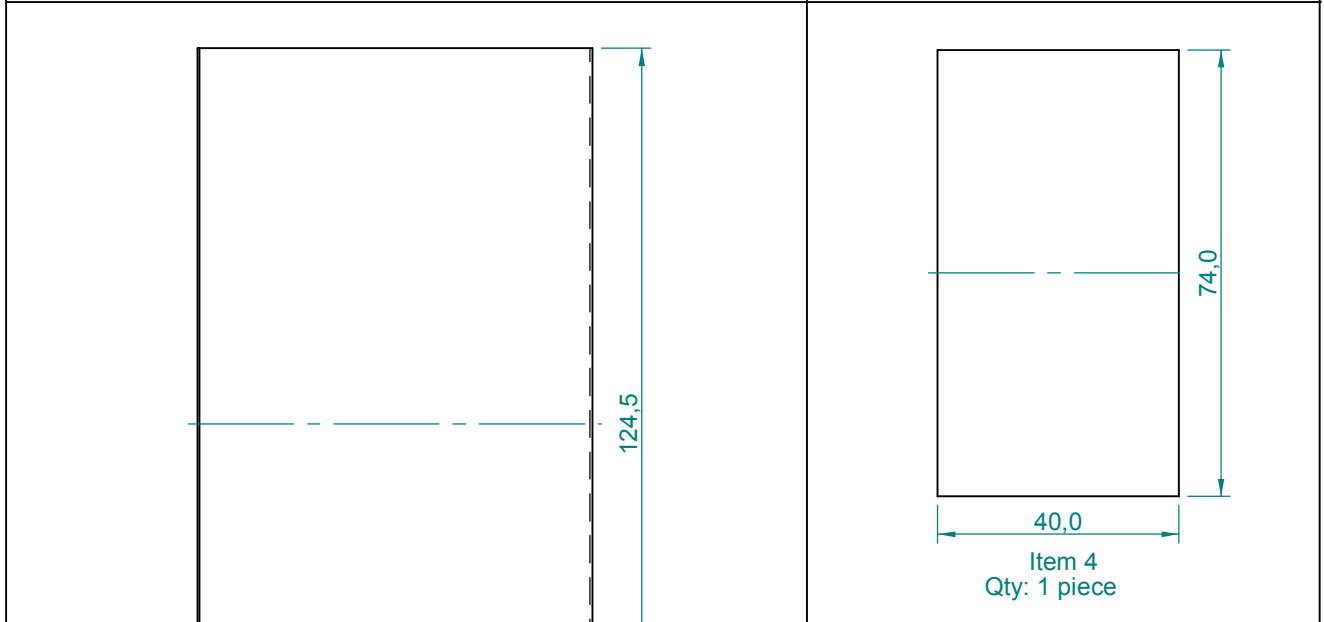
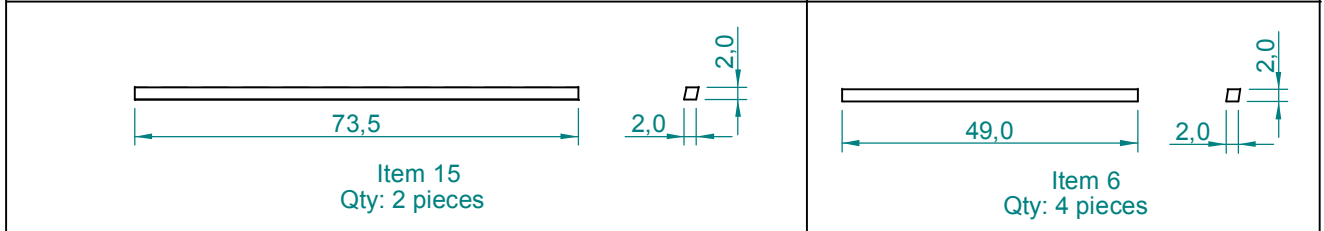
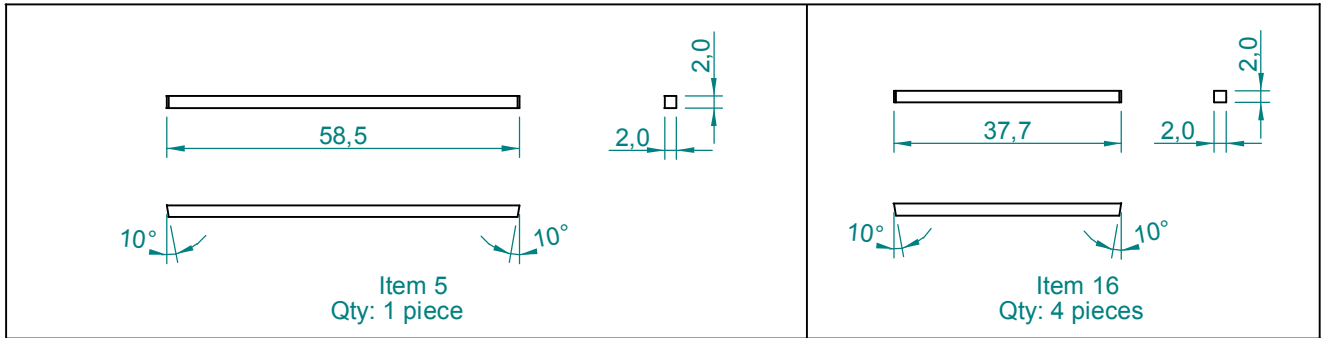
Item 18
Qty: 1 piece

Dimensions in cm.

Projection Angle:

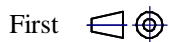


Specifications subject to
change without notice.

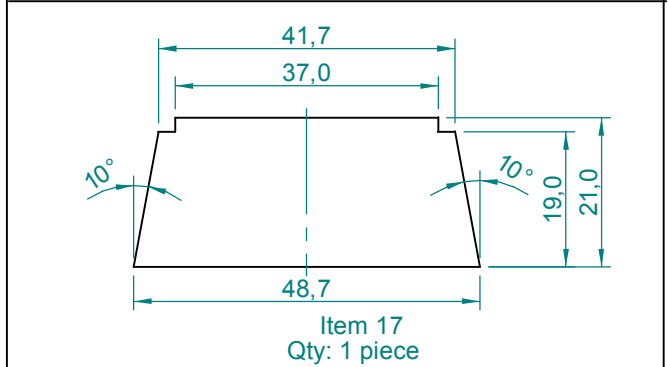
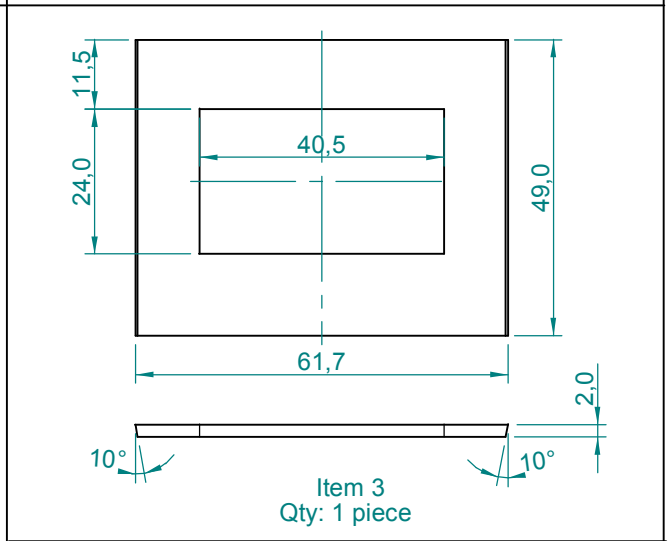
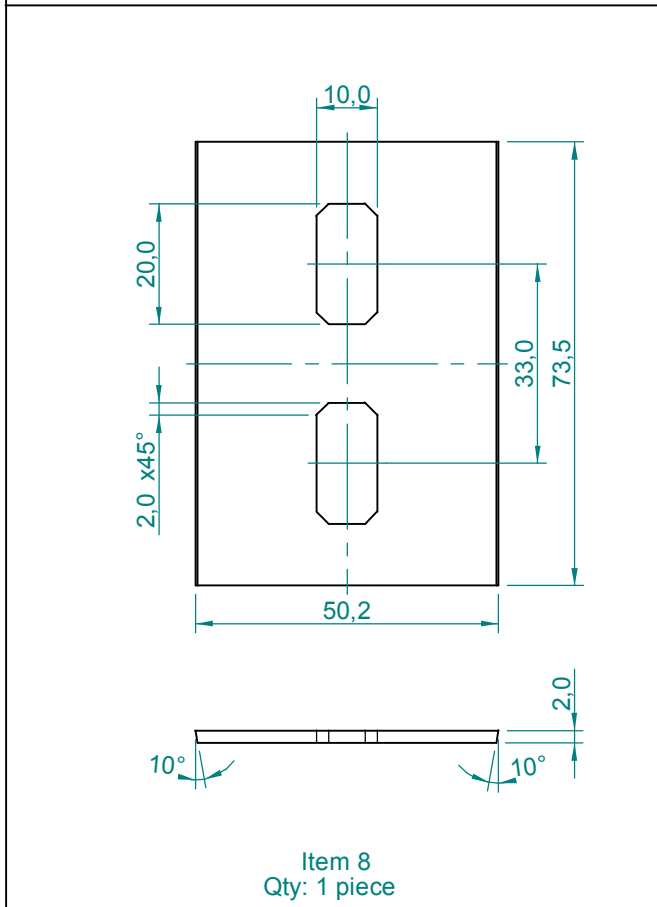
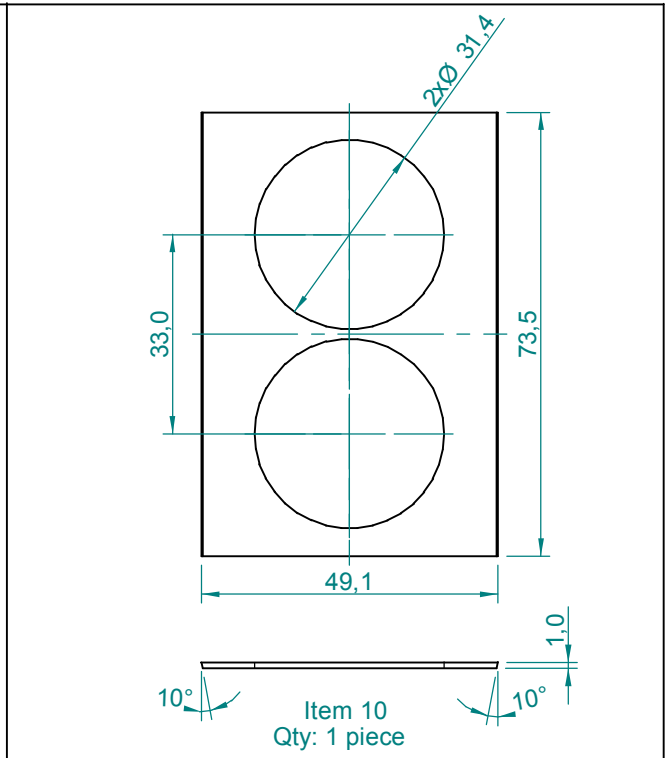
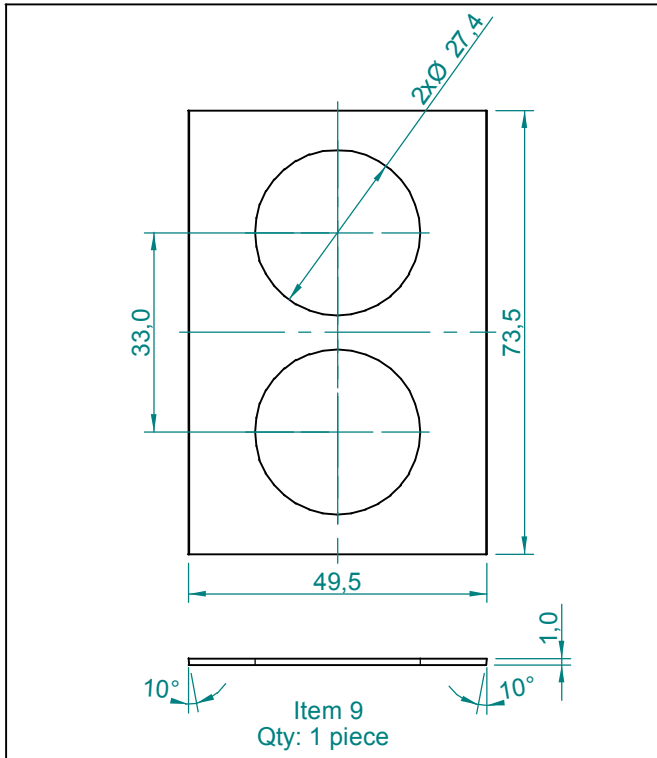


Dimensions in cm.

Projection Angle:

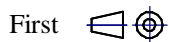


Specifications subject to
change without notice.

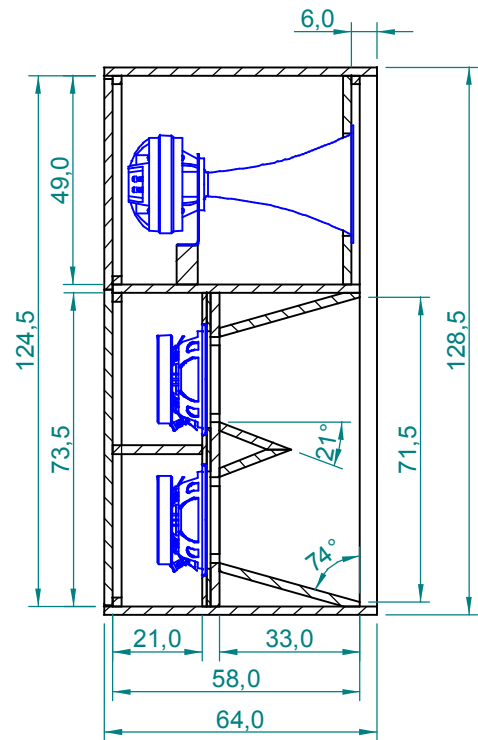
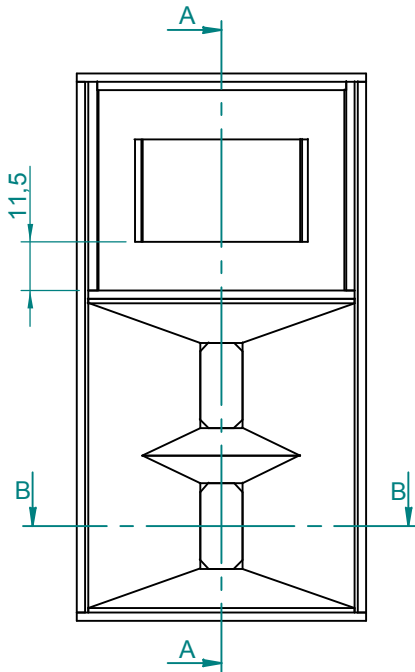


Dimensions in cm.

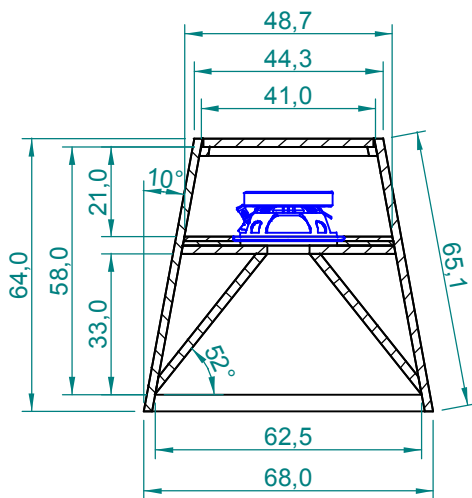
Projection Angle:



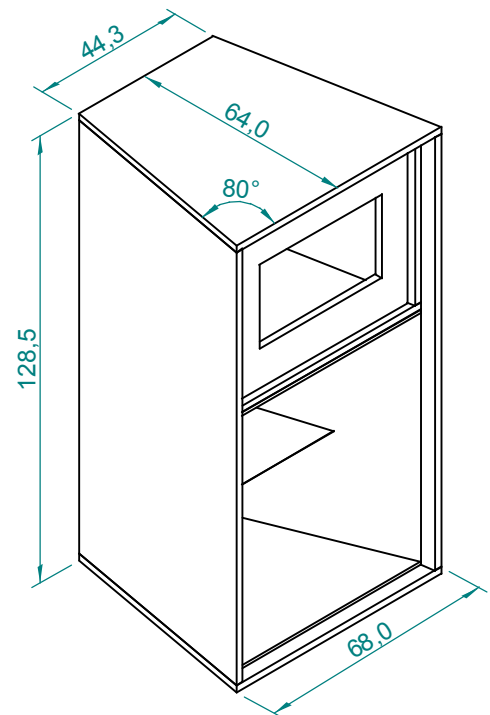
Specifications subject to change without notice.



Section A-A



Section B-B



Dimensions in cm.

Projection Angle:

First

Specifications subject to
change without notice.

03/03 - Rev.: 01 - Page: 1/6

F:\CAIXAS ACÚSTICAS\PAS\PAS2\PAS2MA2\PAS2MA2INGLES

EUROPE Address:
SELENIUM EUROPE
Germany
www.seleniumloudspeakers.com

USA Address:
SELENIUM USA
USA
www.seleniumloudspeakers.com

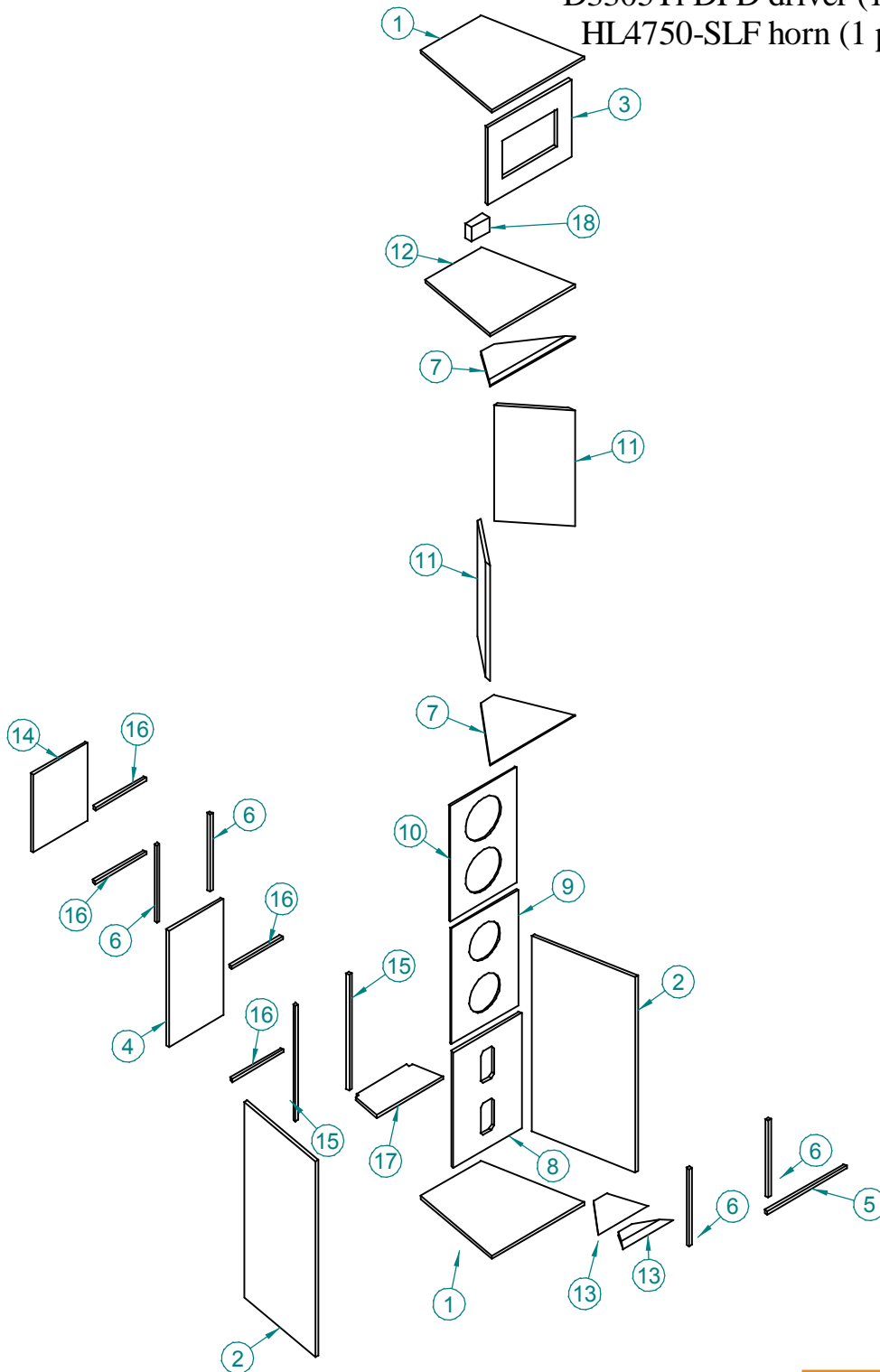
SELENIUM
LOUDSPEAKERS

BRAZIL Address:
ELETRÔNICA SELENIUM S.A.
BR 386 Km 435 / 92.480-000
Nova Santa Rita - RS - Brazil
Fax: +(55) 51 479-1120
www.selenium.com.br

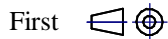
Trapezoidal cabinet, two way, horn type, for use in PA systems, with two 10" mid-bass and one titanium compression driver with horn.

Components:

- 10MB1P mid-bass (2 pieces)
- D4400Ti or D408Ti or D3300Ti DPD or D3305Ti DPD driver (1 piece)
- HL4750-SLF horn (1 piece)



Projection Angle:



Specifications subject to change without notice.

03/03 - Rev.: 01 - Page: 2/6

NOTES:

Cut off Frequency:

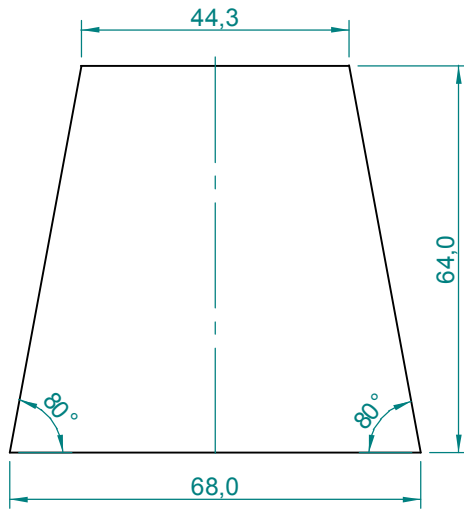
10" Speaker: Low: 200 Hz.
High: 1.200 Hz.

Driver: Low: 1.200 Hz.

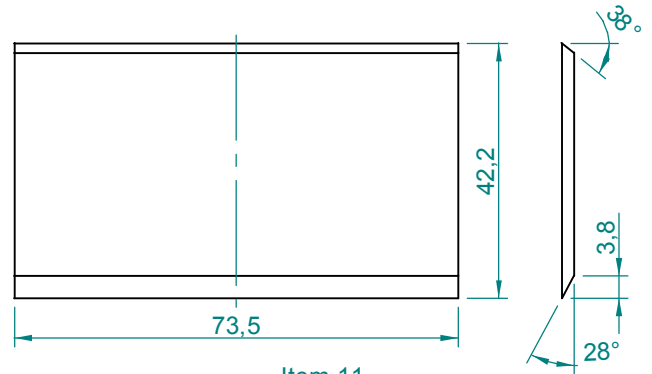
Recommended Crossover: Active, Linkwitz-Riley, 24 dB/oct.

| Item | Qty | Description | Material | Notes |
|------|-----|---------------------------|---------------|-------|
| 1 | 2 | Top/Bottom | Plywood 20 mm | |
| 2 | 2 | Lateral | Plywood 20 mm | |
| 3 | 1 | Panel 1 | Plywood 20 mm | |
| 4 | 1 | Rear Panel 1 | Plywood 20 mm | |
| 5 | 1 | Frame 1 | Plywood 20 mm | |
| 6 | 4 | Frame 2 | Plywood 20 mm | |
| 7 | 2 | Ramp 1 | Plywood 20 mm | |
| 8 | 1 | Panel 2 | Plywood 20 mm | |
| 9 | 1 | Panel 3 | Plywood 10 mm | |
| 10 | 1 | Panel 4 | Plywood 10 mm | |
| 11 | 2 | Ramp 2 | Plywood 20 mm | |
| 12 | 1 | Partition 1 | Plywood 20 mm | |
| 13 | 2 | Wedge | Plywood 20 mm | |
| 14 | 1 | Rear Panel 2 | Plywood 20 mm | |
| 15 | 2 | Frame 3 | Plywood 20 mm | |
| 16 | 4 | Frame 4 | Plywood 20 mm | |
| 17 | 1 | Partition 2 | Plywood 20 mm | |
| 18 | 1 | Wedge to Support the Horn | Wood | |

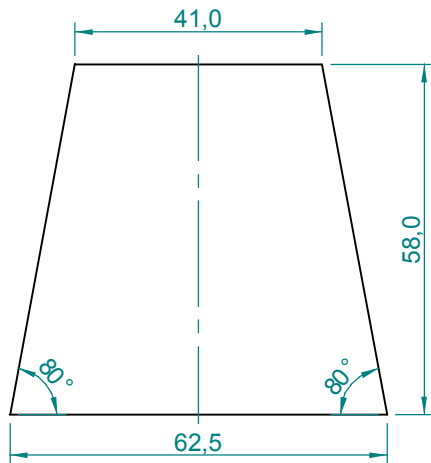
Specifications subject to
change without notice.



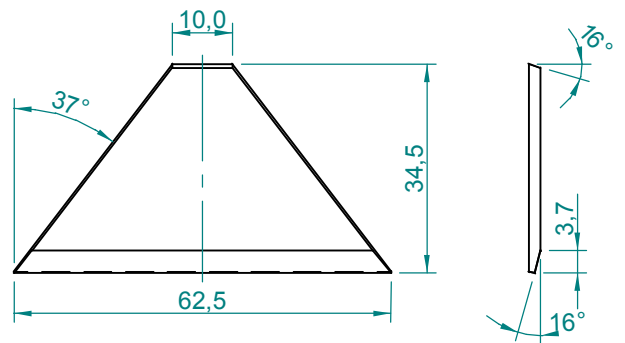
Item 1
Qty: 2 pieces



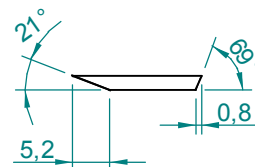
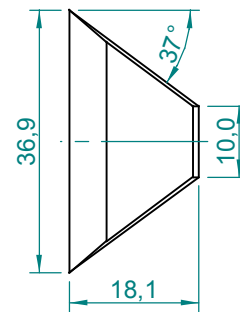
Item 11
Qty: 2 pieces



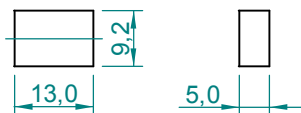
Item 12
Qty: 1 piece



Item 7
Qty: 2 pieces



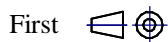
Item 13
Qty: 2 pieces



Item 18
Qty: 1 piece

Dimensions in cm.

Projection Angle:



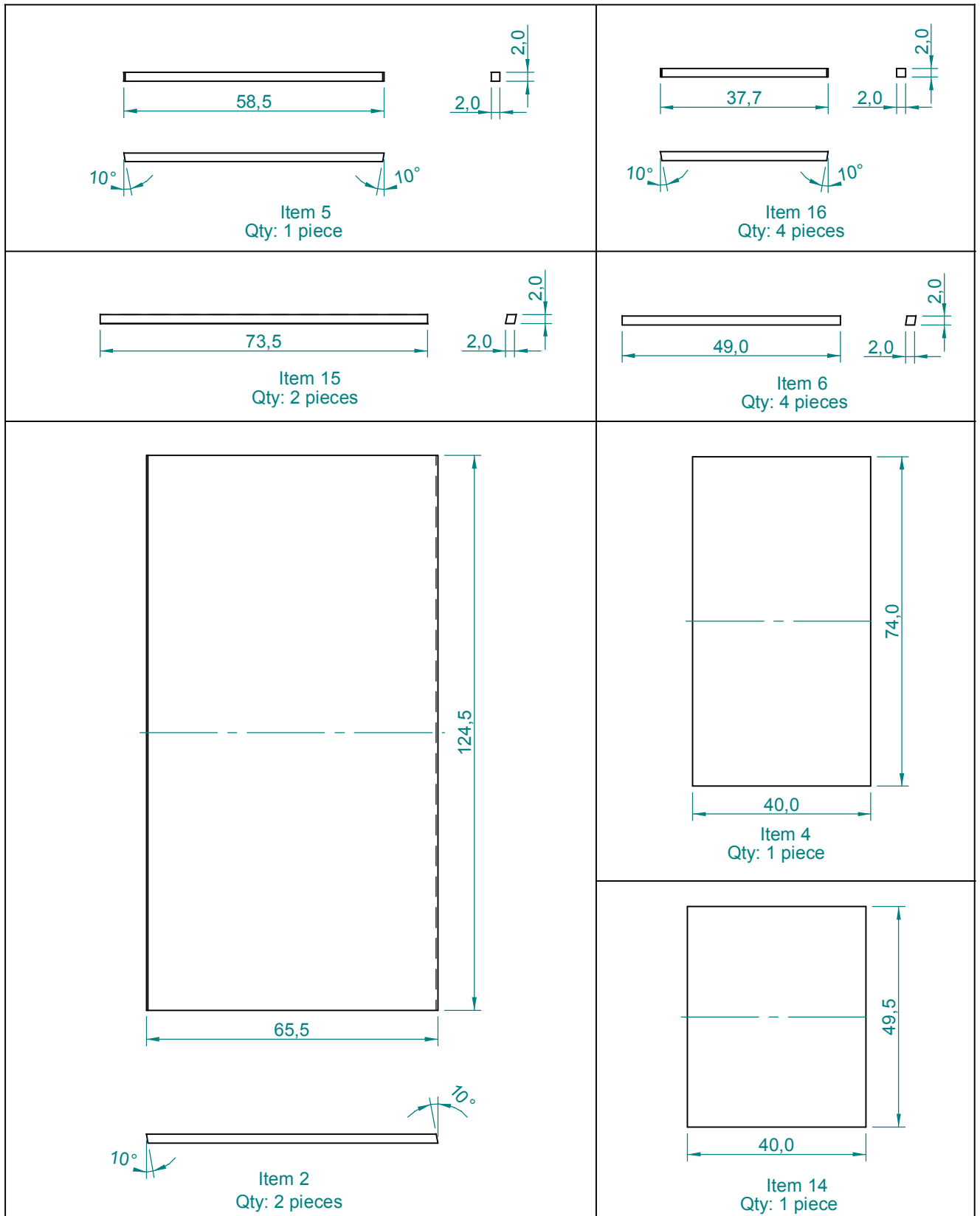
Specifications subject to
change without notice.

03/03 - Rev.: 01 - Page: 4/6

F:\CAIXAS ACÚSTICAS\PAS\PAS2\PAS2MA2\PAS2MA2INGLES

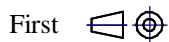
EUROPE Address:
SELENIUM EUROPE
Germany
www.seleniumloudspeakers.com

USA Address:
SELENIUM USA
USA
www.seleniumloudspeakers.com



Dimensions in cm.

Projection Angle:



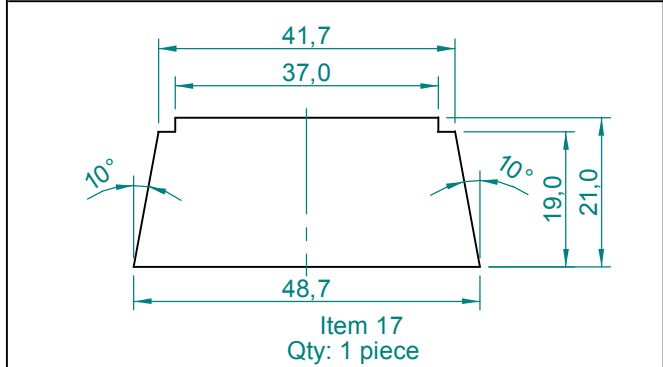
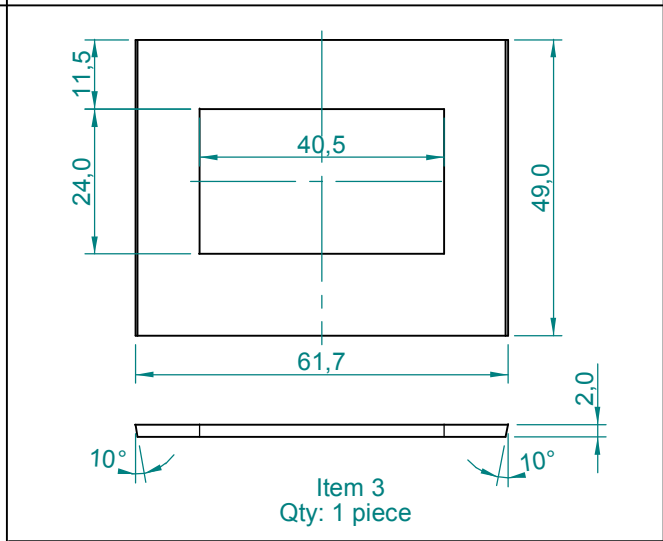
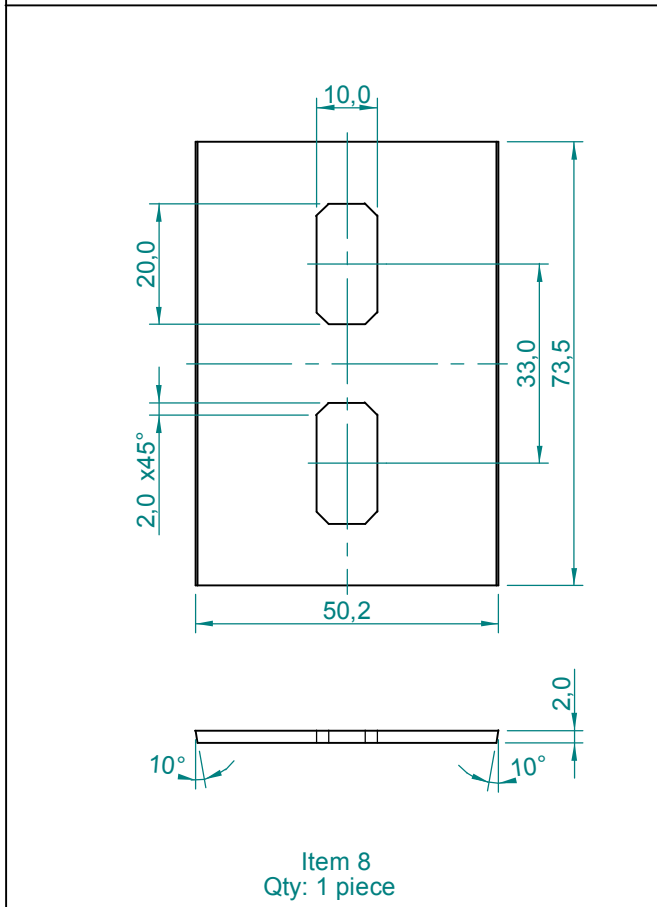
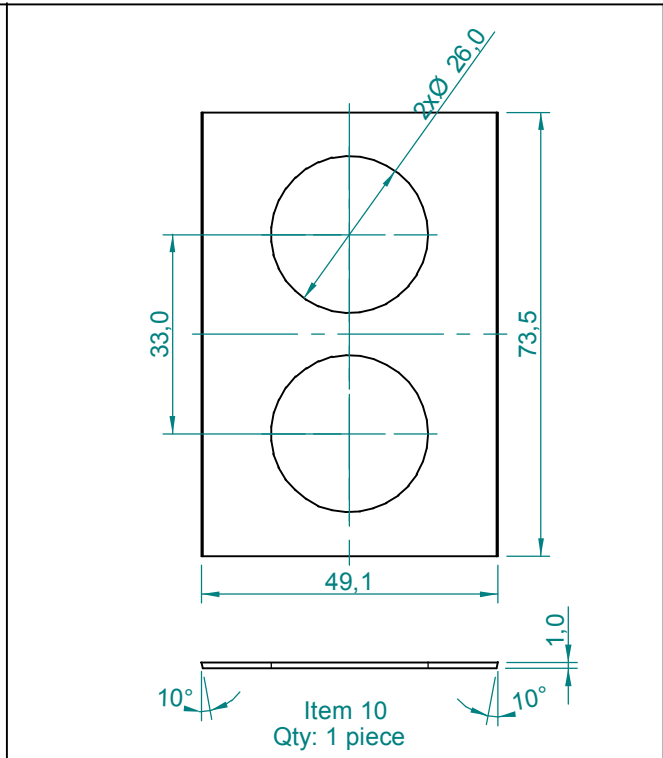
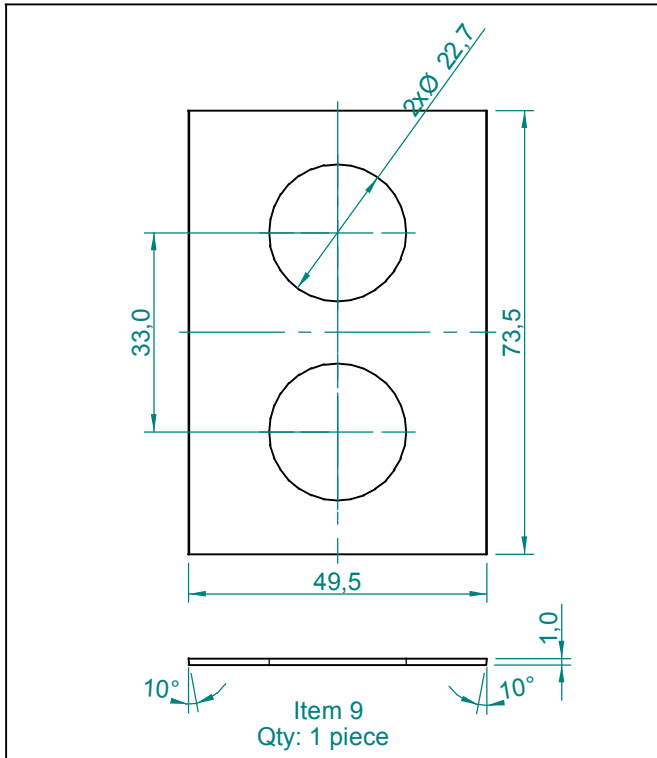
Specifications subject to
change without notice.

03/03 - Rev.: 01 - Page: 5/6

F:\CAIXAS ACÚSTICAS\PAS\PAS2\PAS2MA2\PAS2MA2INGLES

EUROPE Address:
SELENIUM EUROPE
Germany
www.seleniumloudspeakers.com

USA Address:
SELENIUM USA
USA
www.seleniumloudspeakers.com

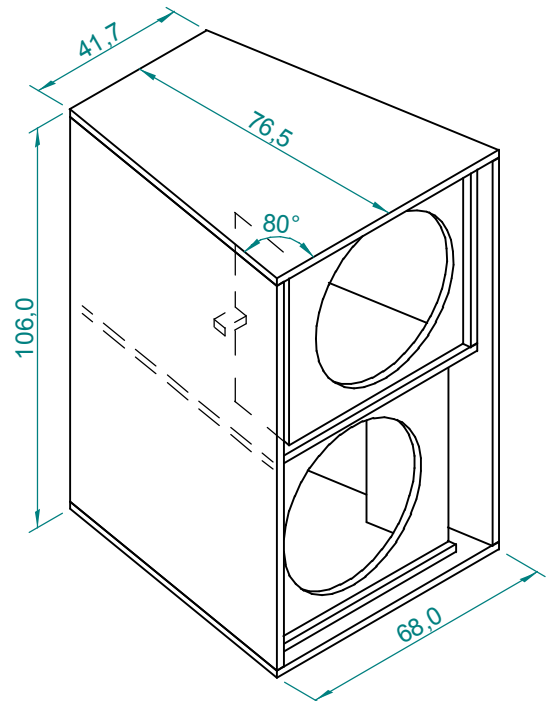
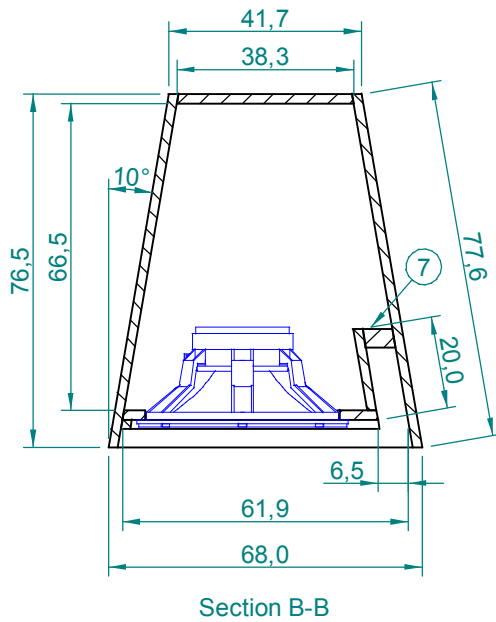
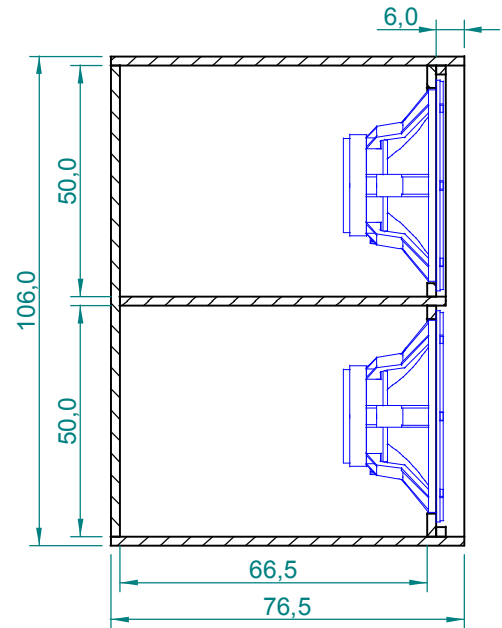
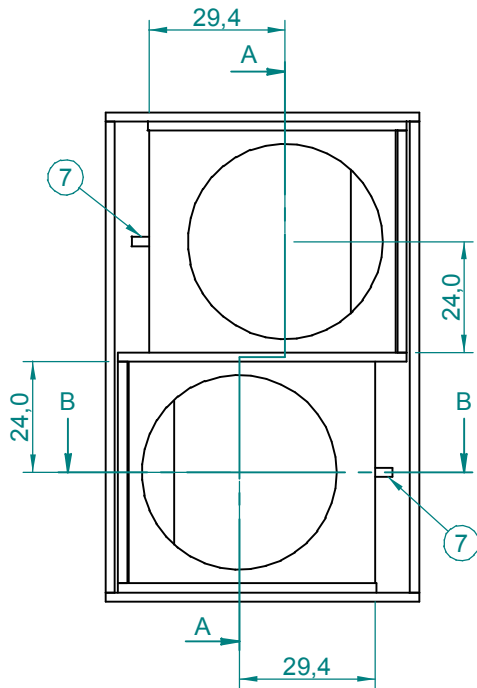


Dimensions in cm.

Projection Angle:

First

Specifications subject to change without notice.



Dimensions in cm.

Projection Angle:

First

Specifications subject to change without notice.

03/03 - Rev.: 01 - Page: 1/5

F:\CAIXAS ACÚSTICAS\PAS\PAS3\PAS3G1\PAS3G1ANGLES

EUROPE Address:
SELENIUM EUROPE
Germany
www.seleniumloudspeakers.com

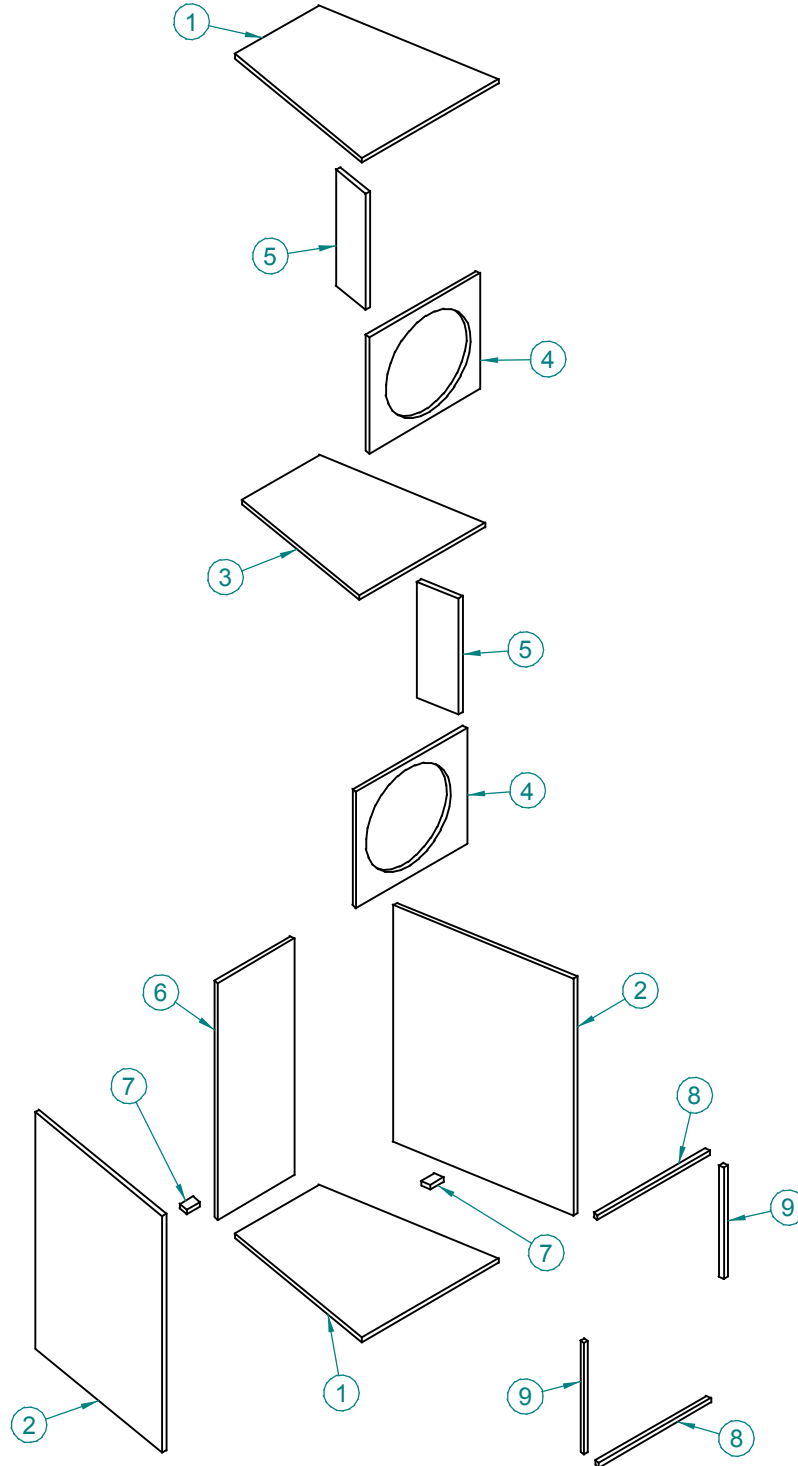
USA Address:
SELENIUM USA
www.seleniumloudspeakers.com

SELENIUM
LOUDSPEAKERS

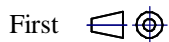
BRAZIL Address:
ELETRÔNICA SELENIUM S.A.
BR 386 Km 435 / 92.480-000
Nova Santa Rita - RS - Brazil
Fax: +(55) 51 479-1120
www.selenium.com.br

Low frequency cabinet, trapezoidal shape, bass-reflex type for use in PA systems with two 18" low frequency driver.

Components:
18SW1P or 18SW2P subwoofer or
WPU1805 or WPU1807 woofer (2 pieces)



Projection Angle:



Specifications subject to change without notice.

03/03 - Rev.: 01 - Page: 2/5

F:\CAIXAS ACÚSTICAS\PAS\PAS3\PAS3G1\PAS3G1INGLES

EUROPE Address:
SELENIUM EUROPE
Germany
www.seleniumloudspeakers.com

USA Address:
SELENIUM USA
USA
www.seleniumloudspeakers.com

NOTES:

Net internal volume of the 18" low frequency driver chamber: 150 liters (each).

Cut off Frequency:

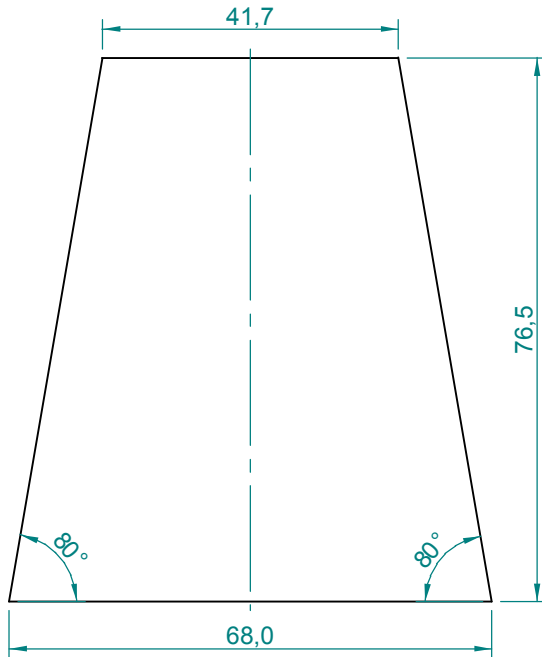
18" Speaker: Low: 40 Hz.

High: should match the low cut off frequency of the next channel enclosure.

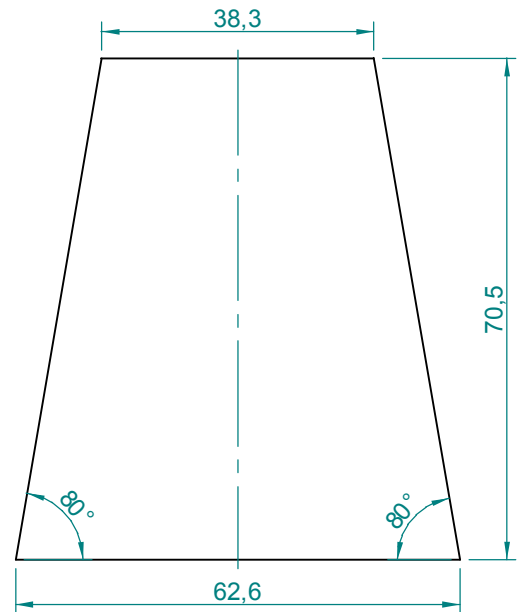
Recommended Crossover: Active, Linkwitz-Riley, 24 dB/oct.

| Item | Qty | Description | Material | Notes |
|------|-----|--------------------|---------------|-------|
| 1 | 2 | Top/Botton | Plywood 20 mm | |
| 2 | 2 | Lateral | Plywood 20 mm | |
| 3 | 1 | Partition | Plywood 20 mm | |
| 4 | 2 | Front Panel | Plywood 20 mm | |
| 5 | 2 | Duct Wall | Plywood 20 mm | |
| 6 | 1 | Back | Plywood 20 mm | |
| 7 | 2 | Duct Reinforcement | Plywood 20 mm | |
| 8 | 2 | Frame 1 | Plywood 20 mm | |
| 9 | 2 | Frame 2 | Plywood 20 mm | |

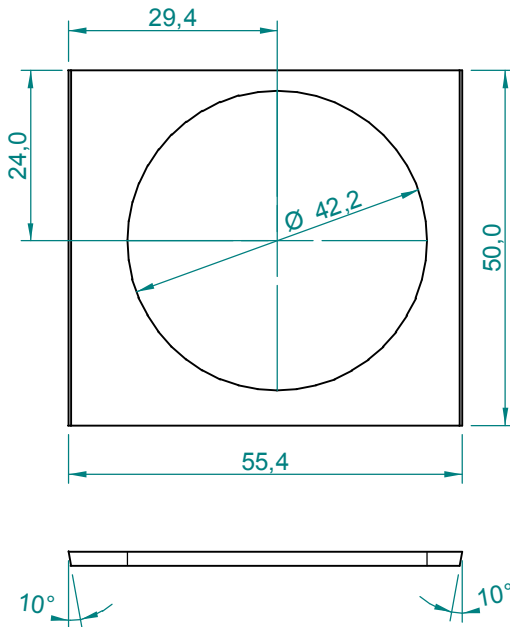
Specifications subject to
change without notice.



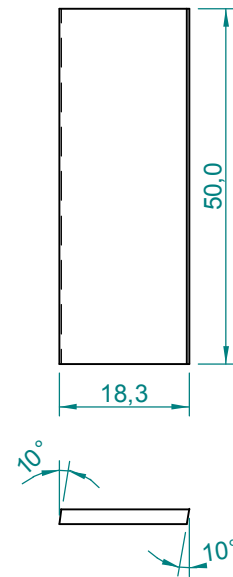
Item 1
Qty: 2 pieces



Item 3
Qty: 1 piece



Item 4
Qty: 2 pieces



Item 5
Qty: 2 pieces

Dimensions in cm.

Projection Angle:

First

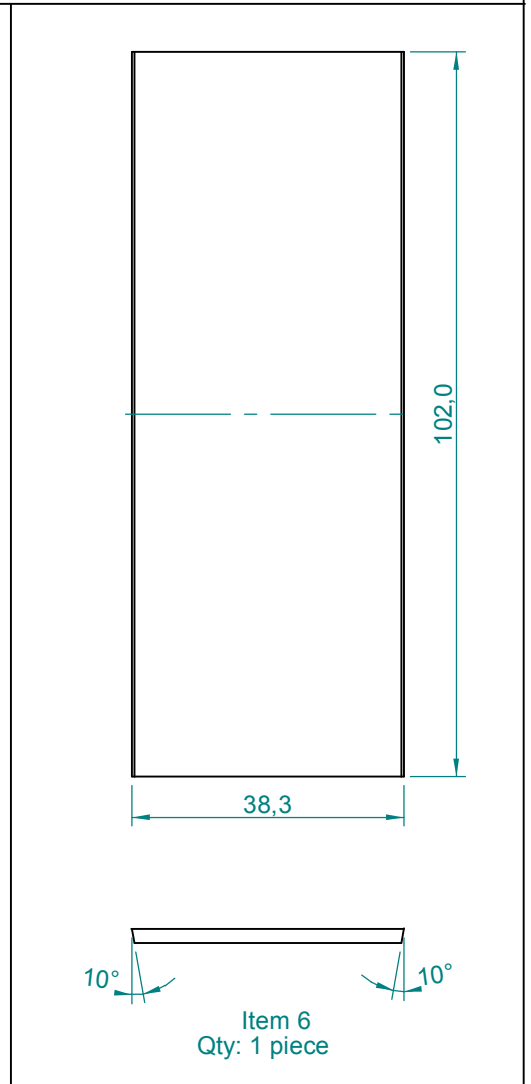
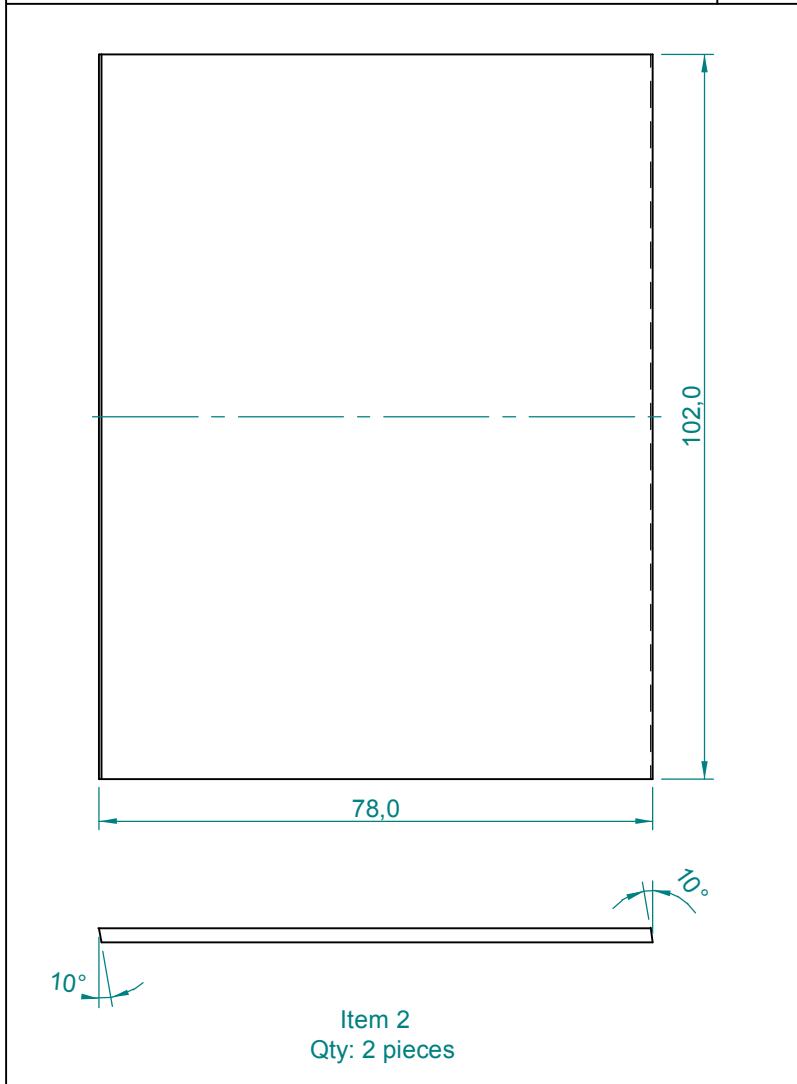
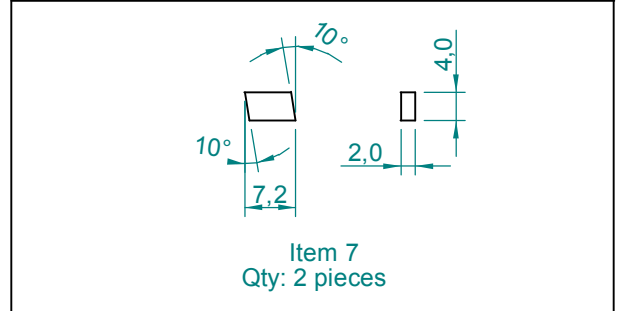
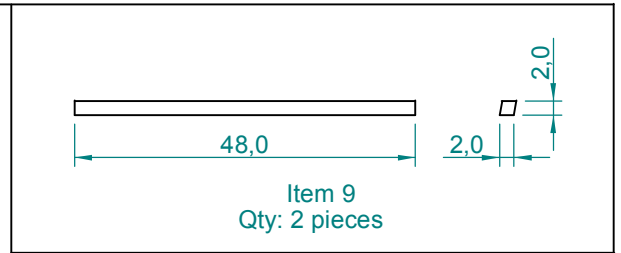
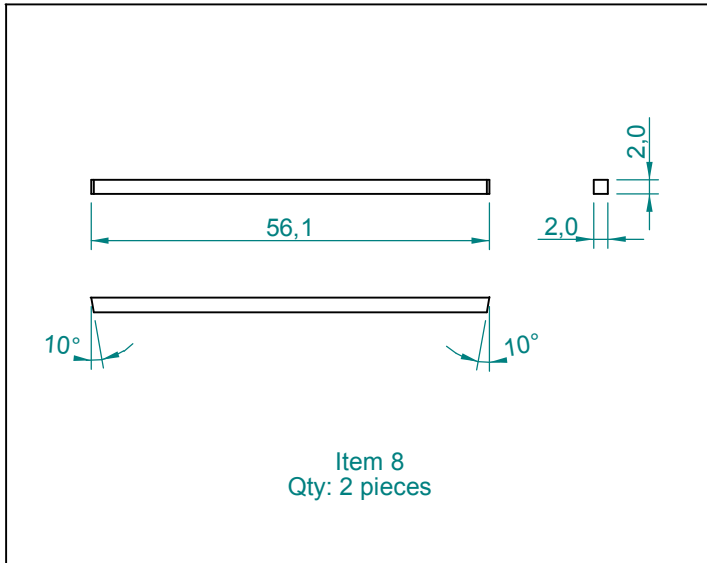
Specifications subject to
change without notice.

03/03 - Rev.: 01 - Page: 4/5

F:\CAIXAS ACÚSTICAS\PAS\PAS3\PAS3G1\PAS3G1ANGLES

EUROPE Address:
SELENIUM EUROPE
Germany
www.seleniumloudspeakers.com

USA Address:
SELENIUM USA
USA
www.seleniumloudspeakers.com

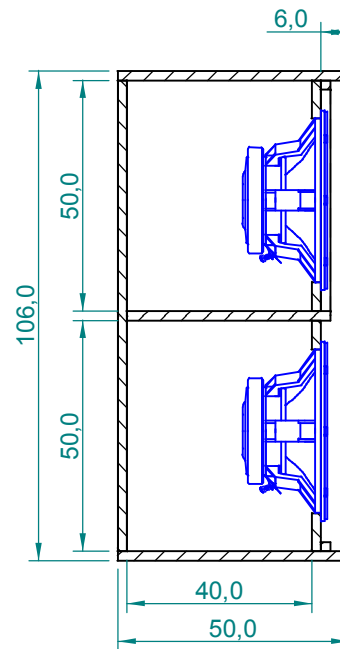
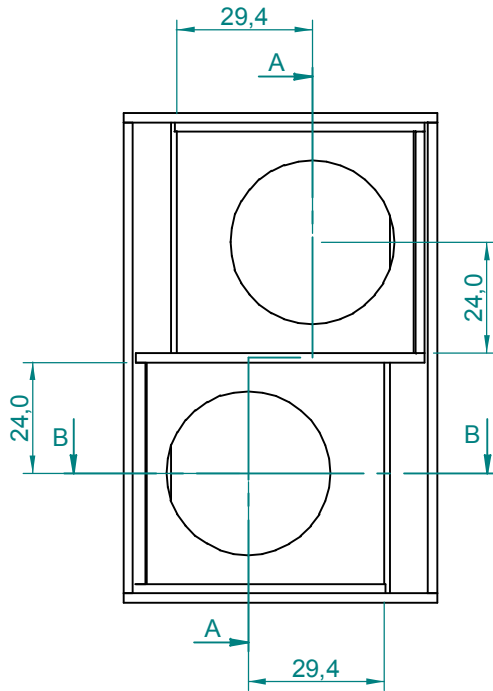


Dimensions in cm.

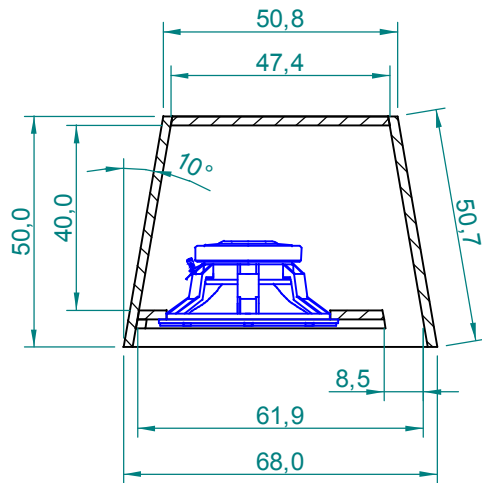
Projection Angle:

First

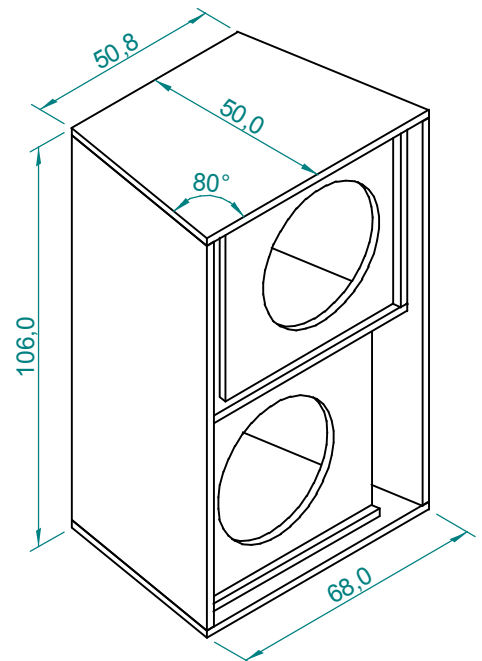
Specifications subject to change without notice.



Section A-A



Section B-B



Dimensions in cm.

Projection Angle:

First

Specifications subject to
change without notice.

03/03 - Rev.: 01 - Page: 1/5

F:\CAIXAS ACÚSTICAS\PAS\PAS3\PAS3G2\PAS3G2INGLES

EUROPE Address:
SELENIUM EUROPE
Germany
www.seleniumloudspeakers.com

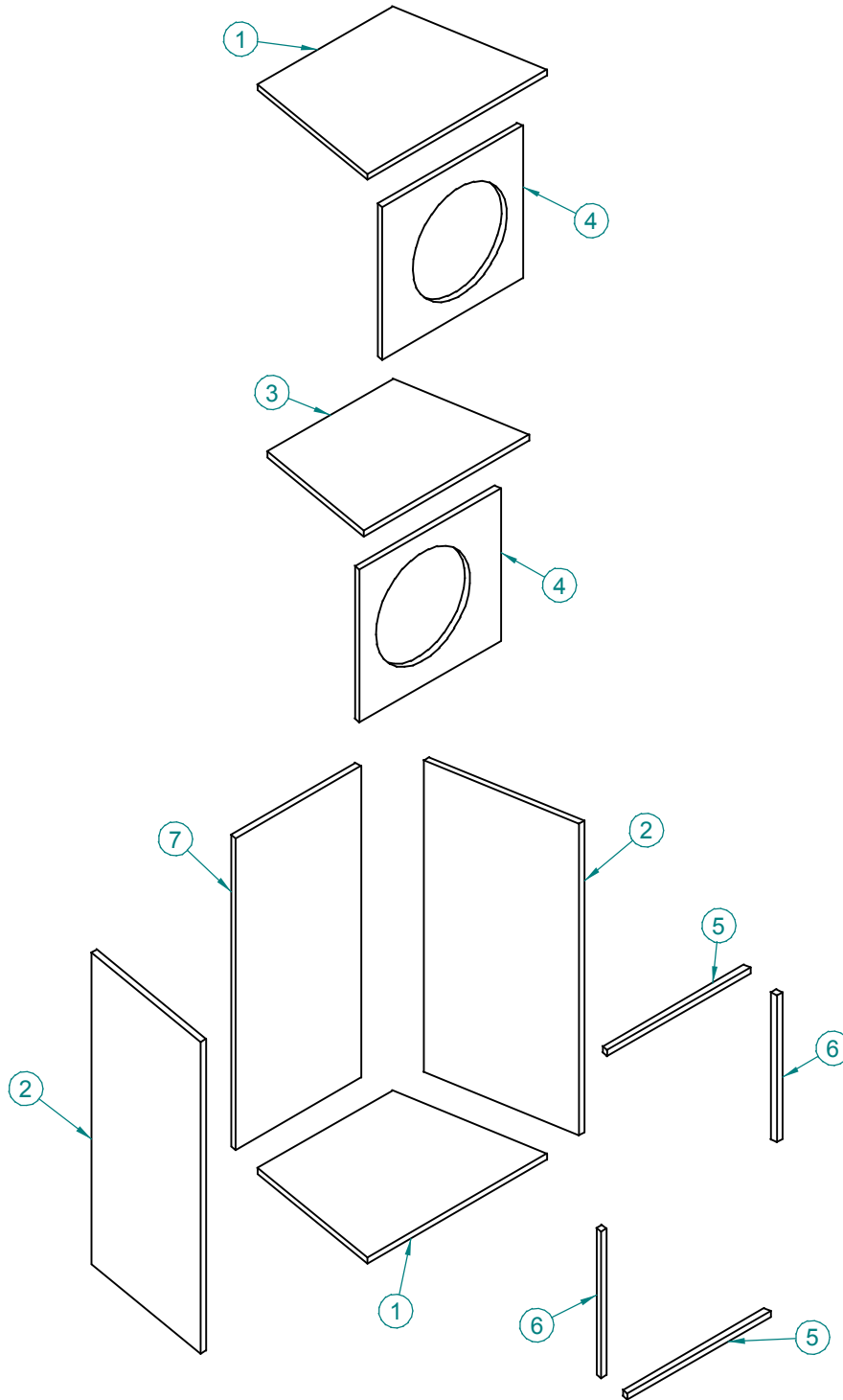
USA Address:
SELENIUM USA
USA
www.seleniumloudspeakers.com

SELENIUM
LOUDSPEAKERS

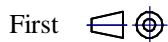
BRAZIL Address:
ELETRÔNICA SELENIUM S.A.
BR 386 Km 435 / 92.480-000
Nova Santa Rita - RS - Brazil
Fax: +(55) 51 479-1120
www.selenium.com.br

Low frequency cabinet, trapezoidal shape, bass-reflex type for use in PA systems with two 15" low frequency driver.

Components:
15SW1P subwoofer or
WPU1505 or WPU1507 woofer (2 pieces)



Projection Angle:



Specifications subject to change without notice.

03/03 - Rev.: 01 - Page: 2/5

F:\CAIXAS ACÚSTICAS\PAS\PAS3\PAS3G2\PAS3G2INGLES

EUROPE Address:
SELENIUM EUROPE
Germany
www.seleniumloudspeakers.com

USA Address:
SELENIUM USA
USA
www.seleniumloudspeakers.com

NOTES:

Net internal volume of the 15" low frequency driver chamber: 100 liters (each).

Cut off Frequency:

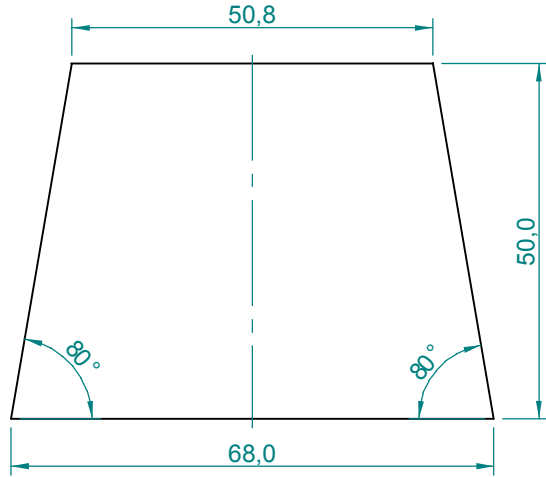
15" Speaker: Low: 40 Hz.

High: should match the low cut off frequency of the next channel enclosure.

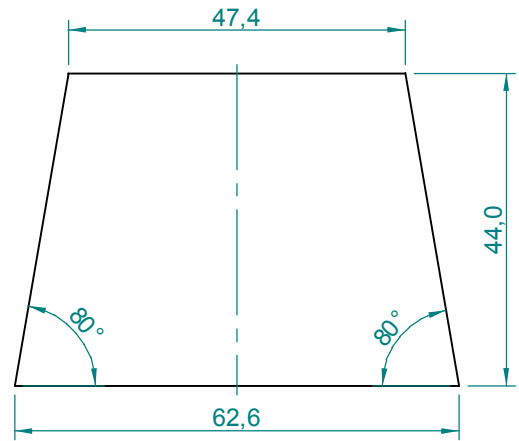
Recommended Crossover: Active, Linkwitz-Riley, 24 dB/oct.

| Item | Qty | Description | Material | Notes |
|------|-----|-------------|---------------|-------|
| 1 | 2 | Top/Botton | Plywood 20 mm | |
| 2 | 2 | Lateral | Plywood 20 mm | |
| 3 | 1 | Partition | Plywood 20 mm | |
| 4 | 2 | Front Panel | Plywood 20 mm | |
| 5 | 2 | Frame 1 | Plywood 20 mm | |
| 6 | 2 | Frame 2 | Plywood 20 mm | |
| 7 | 1 | Back | Plywood 20 mm | |

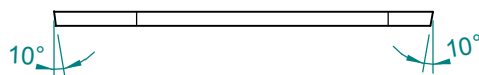
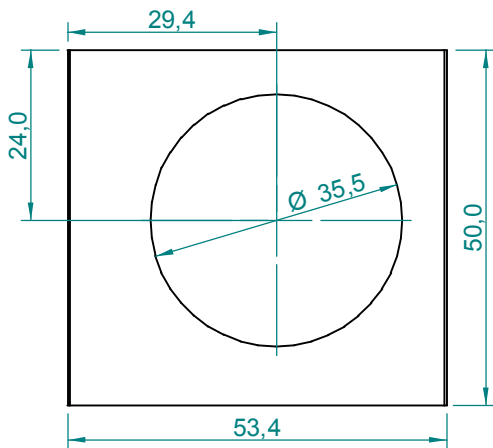
Specifications subject to
change without notice.



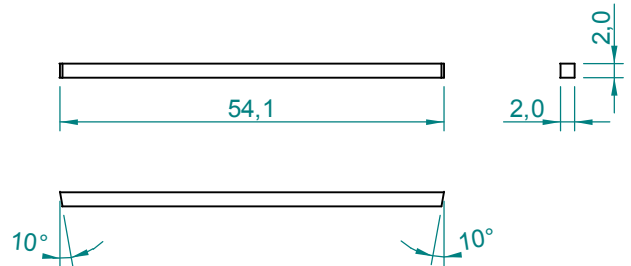
Item 1
Qty: 2 pieces



Item 3
Qty: 1 piece



Item 4
Qty: 2 pieces



Item 5
Qty: 2 pieces

Dimensions in cm.

Projection Angle:

First

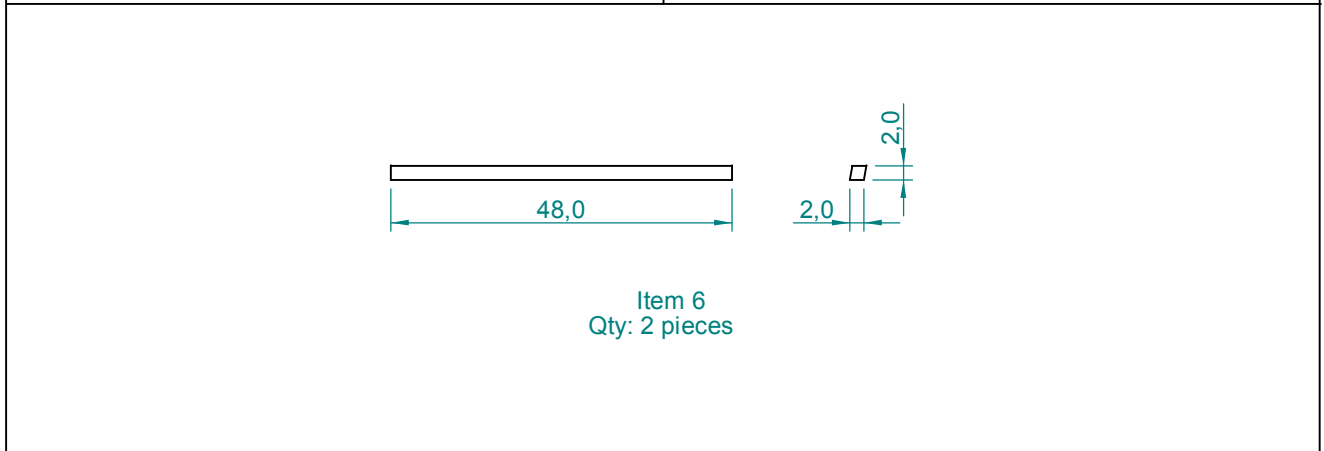
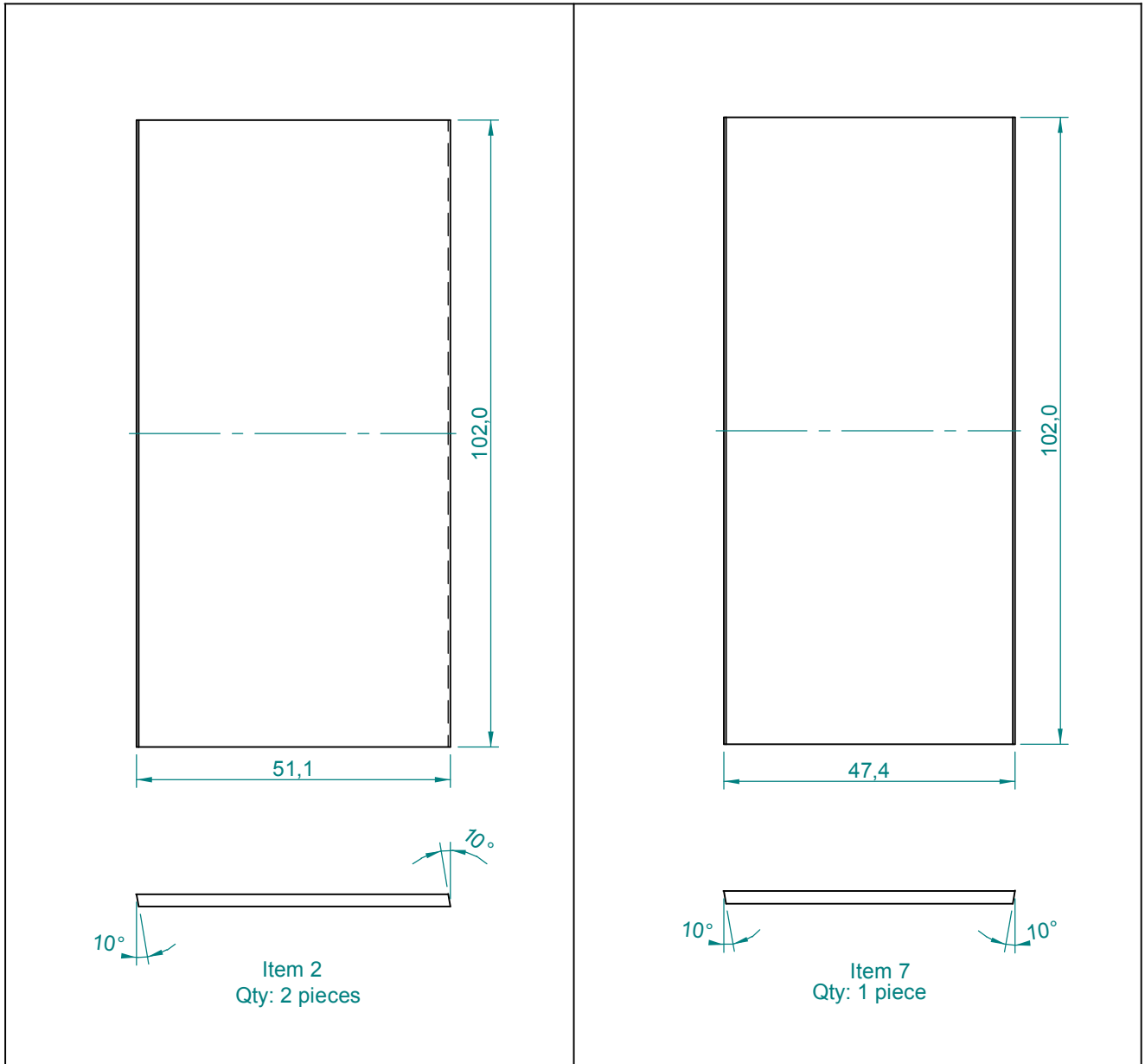
Specifications subject to
change without notice.

03/03 - Rev.: 01 - Page: 4/5

F:\CAIXAS ACÚSTICAS\PAS\PAS3\PAS3G2\PAS3G2INGLES

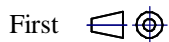
EUROPE Address:
SELENIUM EUROPE
Germany
www.seleniumloudspeakers.com

USA Address:
SELENIUM USA
USA
www.seleniumloudspeakers.com



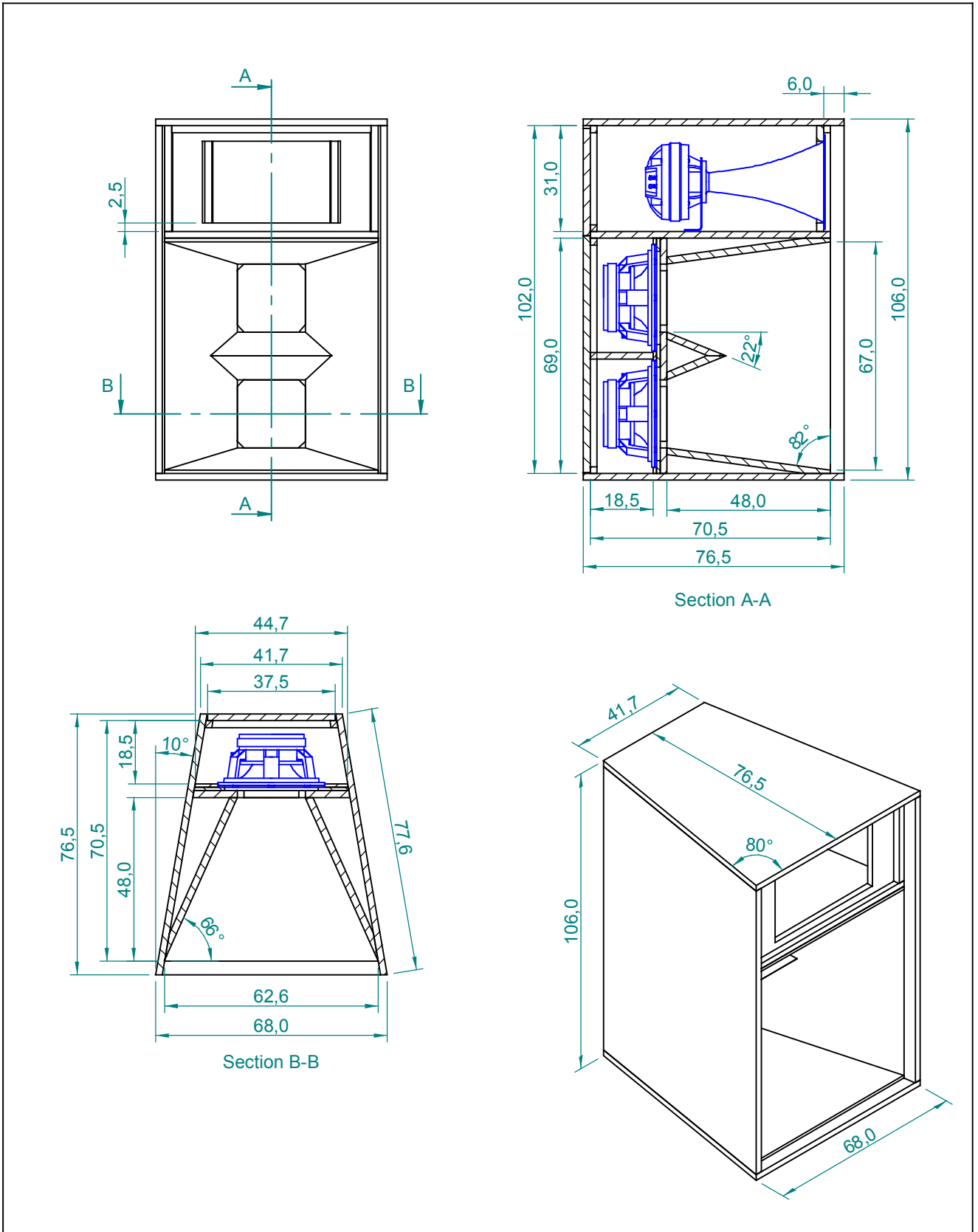
Dimensions in cm.

Projection Angle:



Specifications subject to
change without notice.

03/03 - Rev.: 01 - Page: 5/5



Section A-A

Section B-B

Dimensions in cm.

Projection Angle:

First

Specifications subject to change without notice.

03/03 - Rev.: 01 - Page: 1/6

F:\CAIXAS ACÚSTICAS\PAS\PAS3\PAS3MA1\PAS3MA1INGLES

EUROPE Address:
SELENIUM EUROPE
Germany
www.seleniumloudspeakers.com

USA Address:
SELENIUM USA
USA
www.seleniumloudspeakers.com

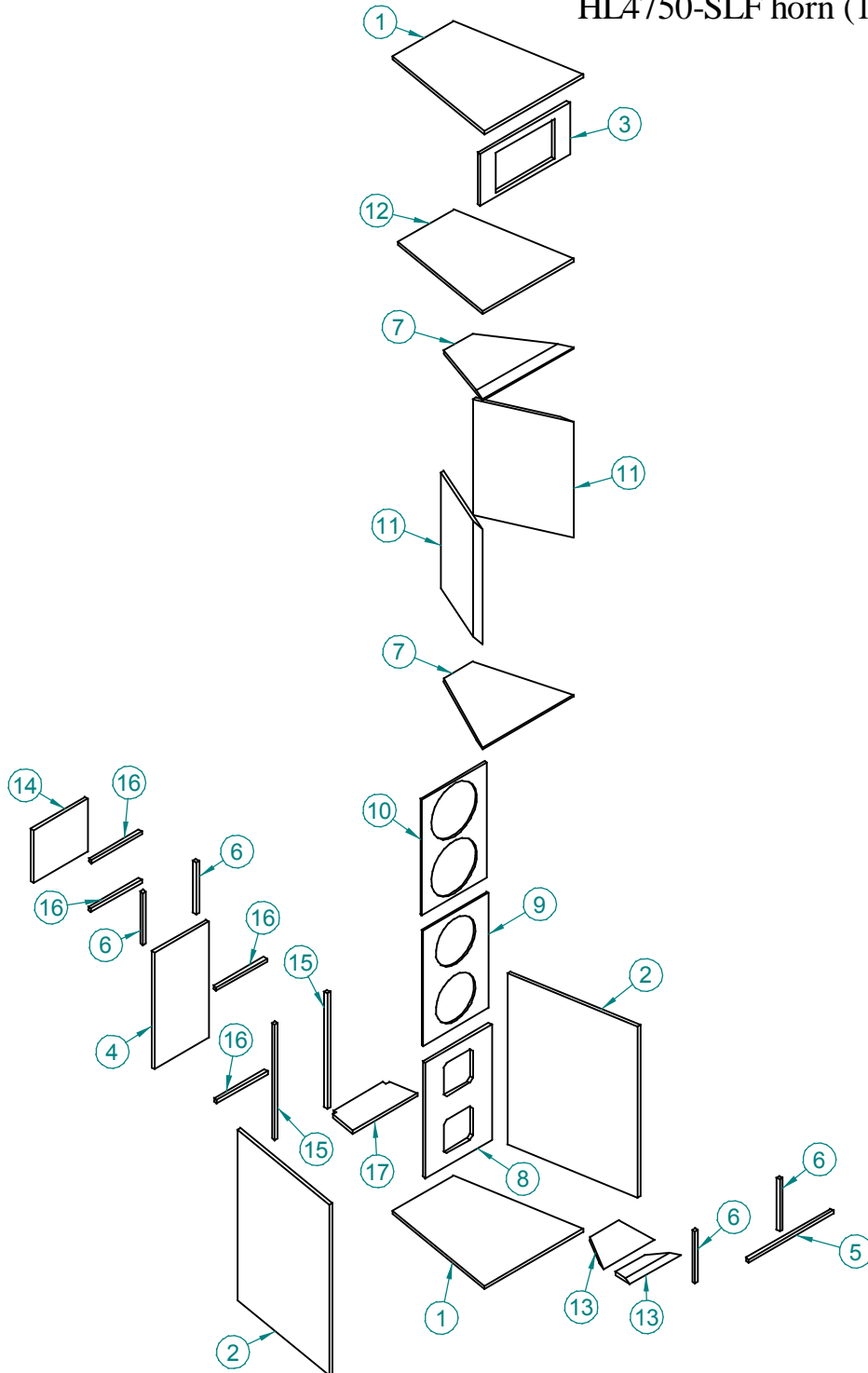
SELENIUM
LOUDSPEAKERS

BRAZIL Address:
ELETRÔNICA SELENIUM S.A.
BR 386 Km 435 / 92.480-000
Nova Santa Rita - RS - Brazil
Fax: +(55) 51 479-1120
www.selenium.com.br

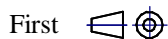
Trapezoidal cabinet, two way, horn type, for use in PA systems, with two 12" mid-bass and one titanium compression driver with horn.

Components:

- WPU1206 or 12MB2P mid-bass (2 pieces)
- D4400Ti or D408Ti or D3300Ti DPD or D3305Ti DPD driver (1 piece)
- HL4750-SLF horn (1 piece)



Projection Angle:



Specifications subject to change without notice.

NOTES:

Cutt off Frequency:

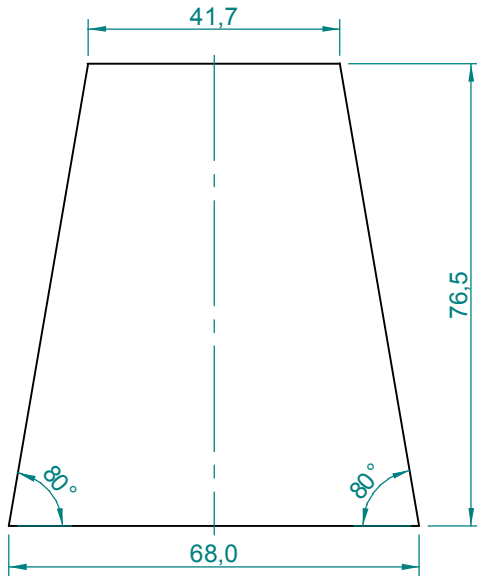
12" Speaker: Low: 200 Hz.
High: 1.200 Hz.

Driver: Low: 1.200 Hz.

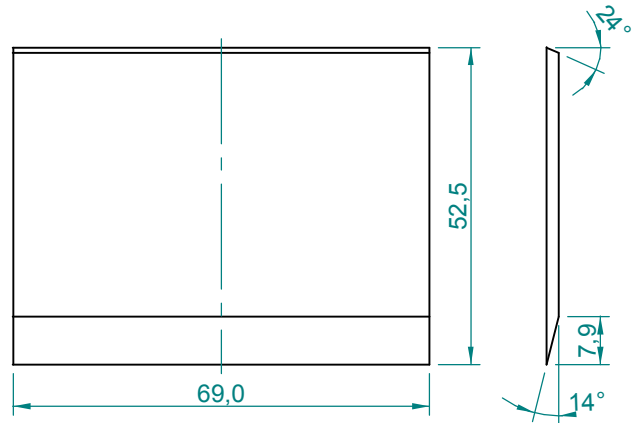
Recommended Crossover: Active, Linkwitz-Riley, 24 dB/oct.

| Item | Qty | Description | Material | Notes |
|------|-----|---------------|---------------|-------|
| 1 | 2 | Top/Botton | Plywood 20 mm | |
| 2 | 2 | Lateral | Plywood 20 mm | |
| 3 | 1 | Panel 1 | Plywood 20 mm | |
| 4 | 1 | Rear Paine1 1 | Plywood 20 mm | |
| 5 | 1 | Frame 1 | Plywood 20 mm | |
| 6 | 4 | Frame 2 | Plywood 20 mm | |
| 7 | 2 | Ramp 1 | Plywood 20 mm | |
| 8 | 1 | Panel 2 | Plywood 20 mm | |
| 9 | 1 | Panel 3 | Plywood 10 mm | |
| 10 | 1 | Panel 4 | Plywood 10 mm | |
| 11 | 2 | Ramp 2 | Plywood 20 mm | |
| 12 | 1 | Partition 1 | Plywood 20 mm | |
| 13 | 2 | Wedge | Plywood 20 mm | |
| 14 | 1 | Rear Paine1 2 | Plywood 20 mm | |
| 15 | 2 | Frame 3 | Plywood 20 mm | |
| 16 | 4 | Frame 4 | Plywood 20 mm | |
| 17 | 1 | Partition 2 | Plywood 20 mm | |

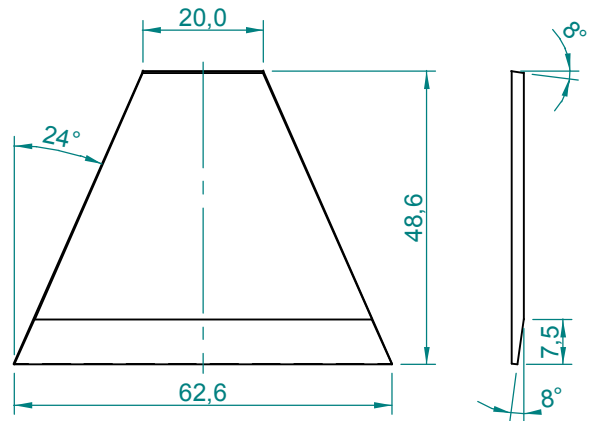
Specifications subject to
change without notice.



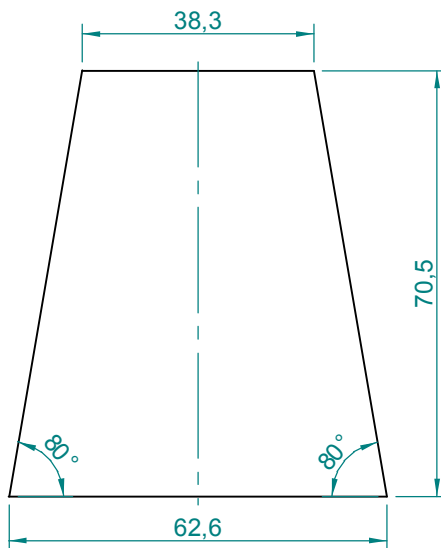
Item 1
Qty: 2 pieces



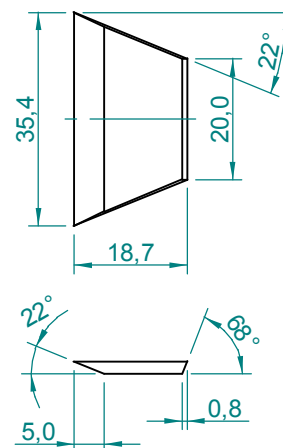
Item 11
Qty: 2 pieces



Item 7
Qty: 2 pieces



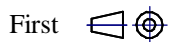
Item 12
Qty: 1 piece



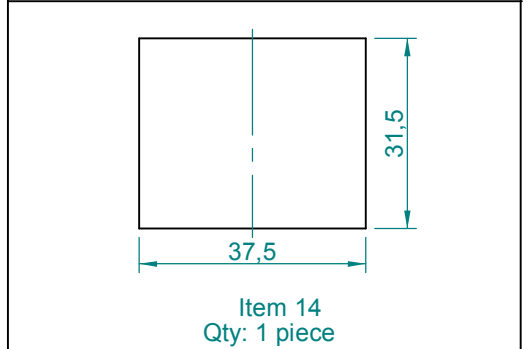
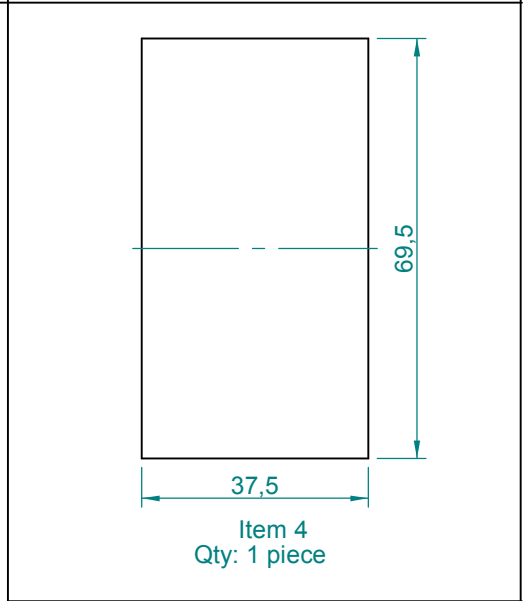
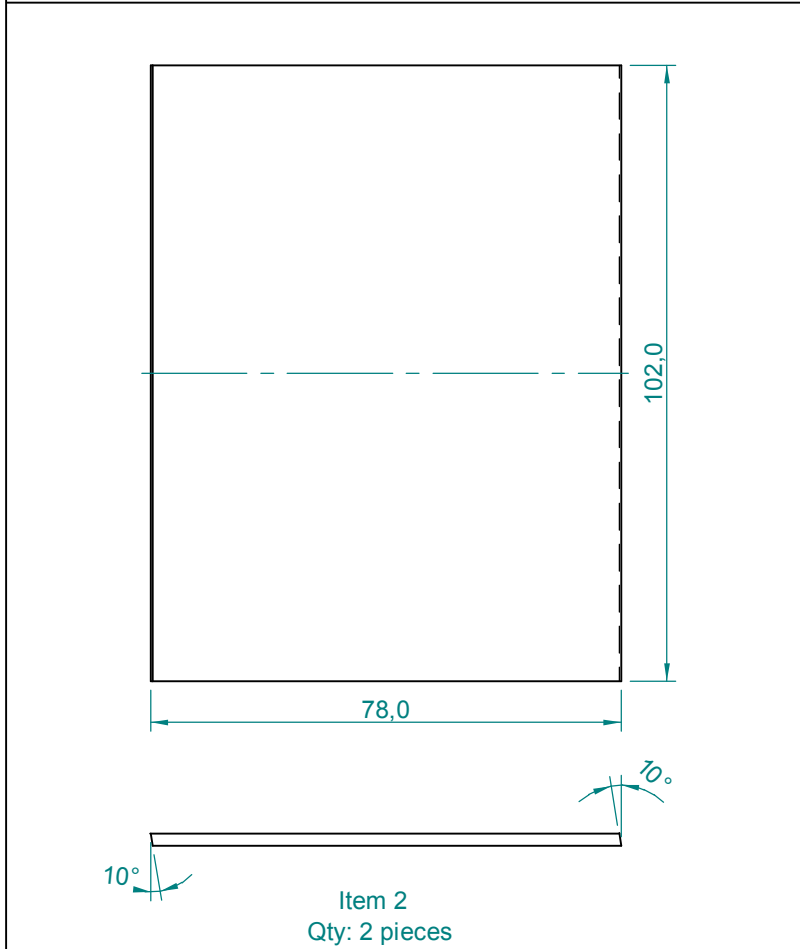
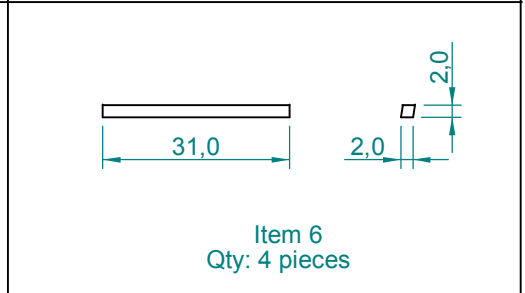
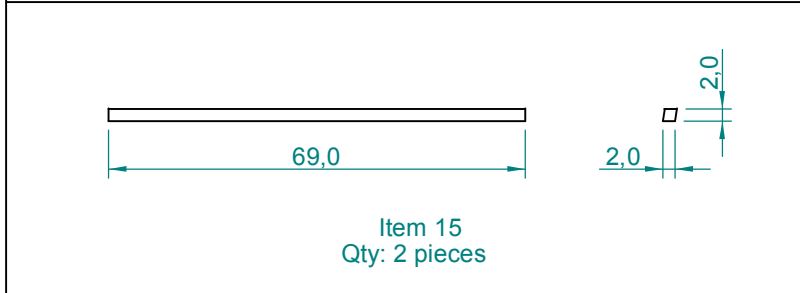
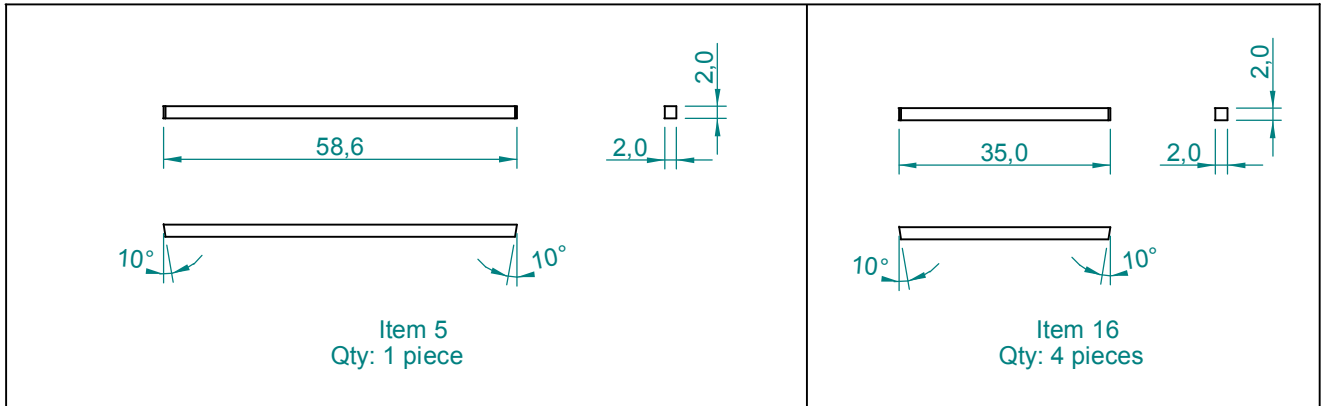
Item 13
Qty: 2 pieces

Dimensions in cm.

Projection Angle:

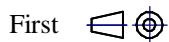


Specifications subject to
change without notice.

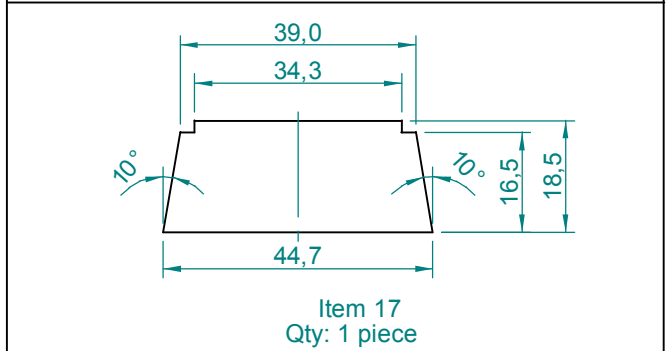
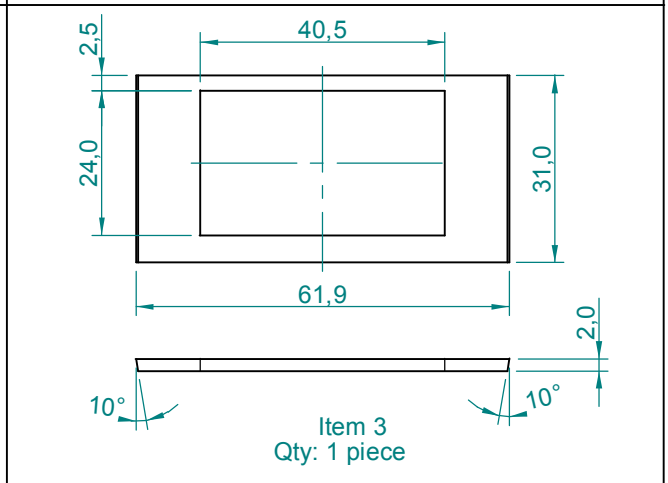
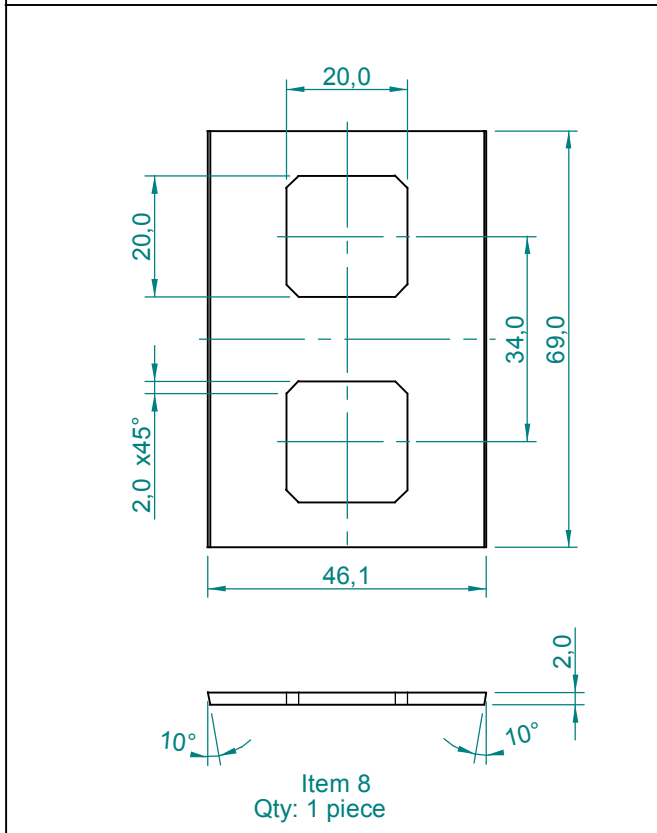
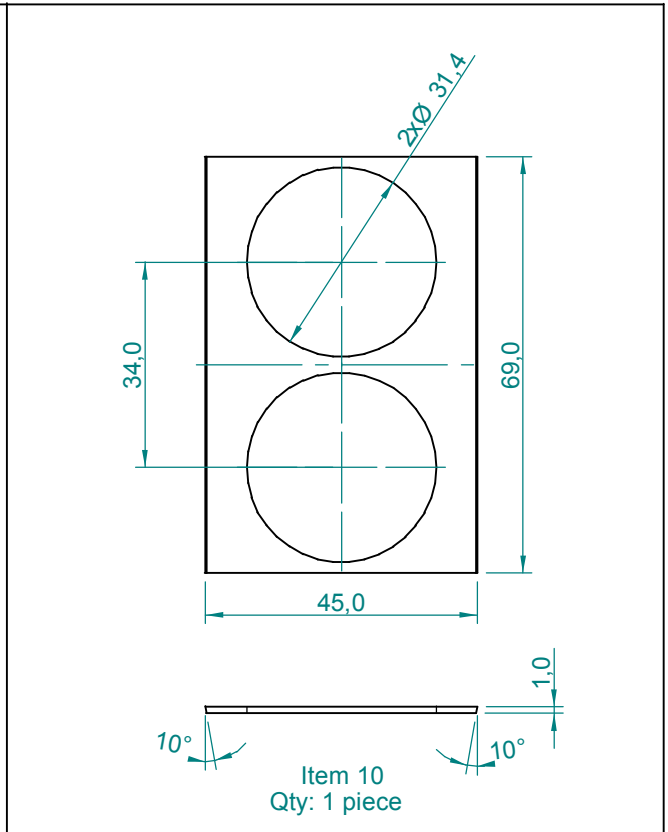
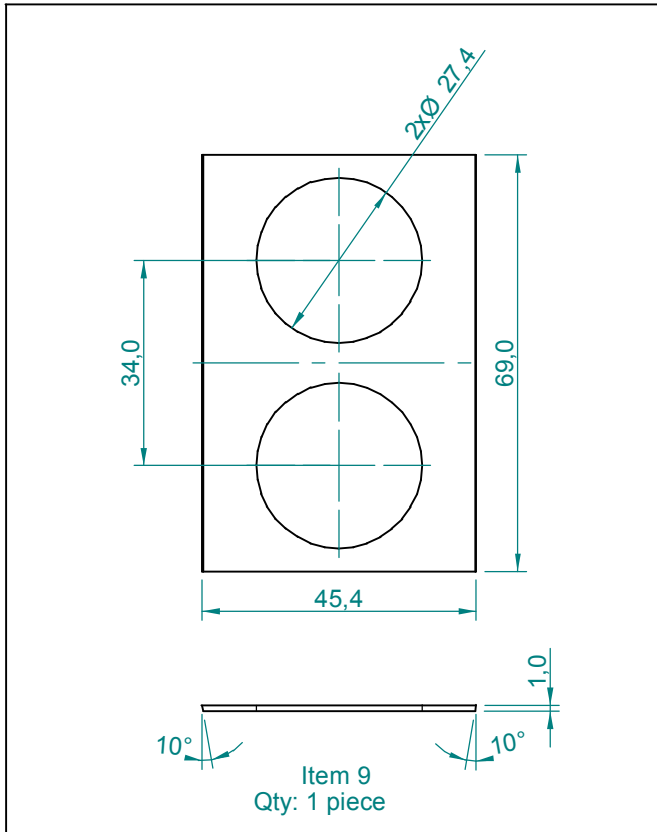


Dimensions in cm.

Projection Angle:



Specifications subject to change without notice.

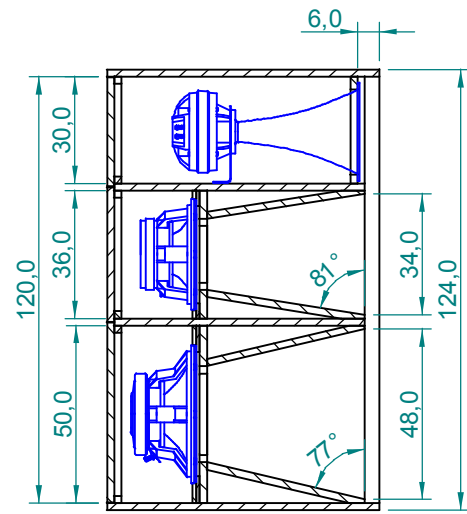
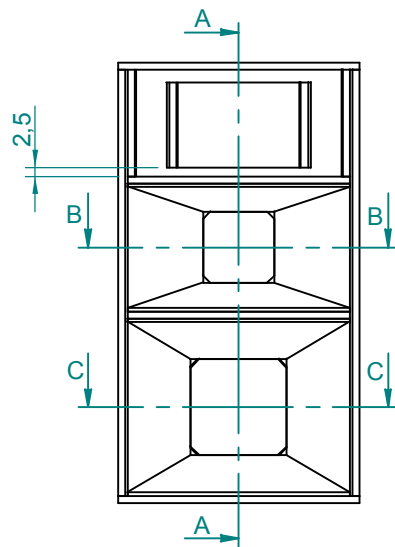


Dimensions in cm.

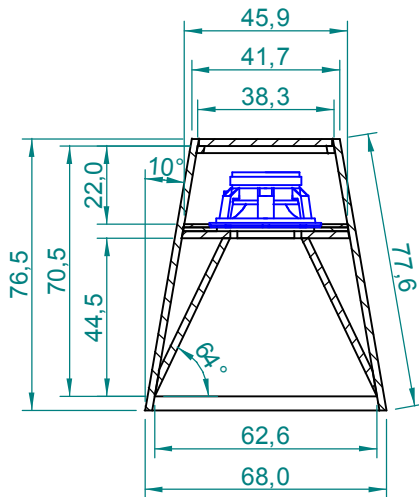
Projection Angle:

First

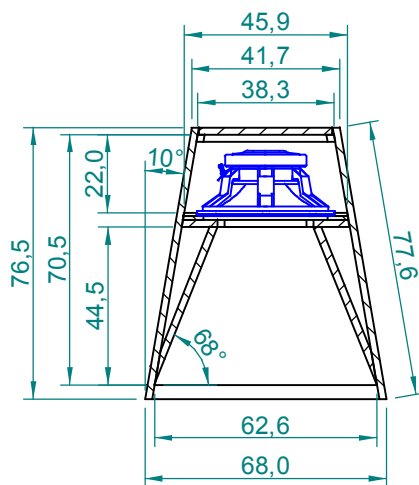
Specifications subject to change without notice.



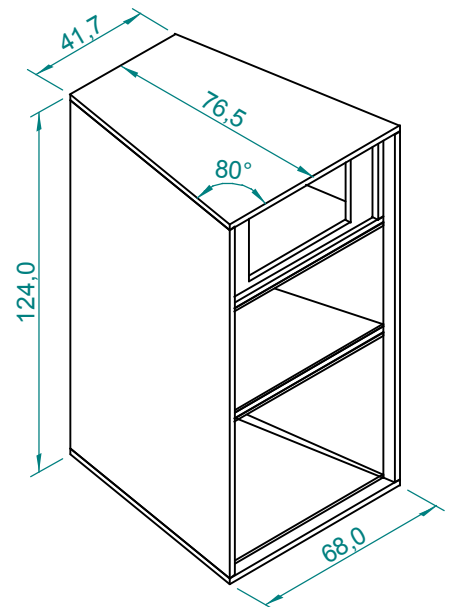
Section A-A



Section B-B



Section C-C



Dimensions in cm.

Projection Angle:

First

Specifications subject to change without notice.

03/03 - Rev.: 01 - Page: 1/6

F:\CAIXAS ACÚSTICAS\PAS\PAS3\PAS3MA2\PAS3MA2INGLES

EUROPE Address:
SELENIUM EUROPE
Germany
www.seleniumloudspeakers.com

USA Address:
SELENIUM USA
USA
www.seleniumloudspeakers.com

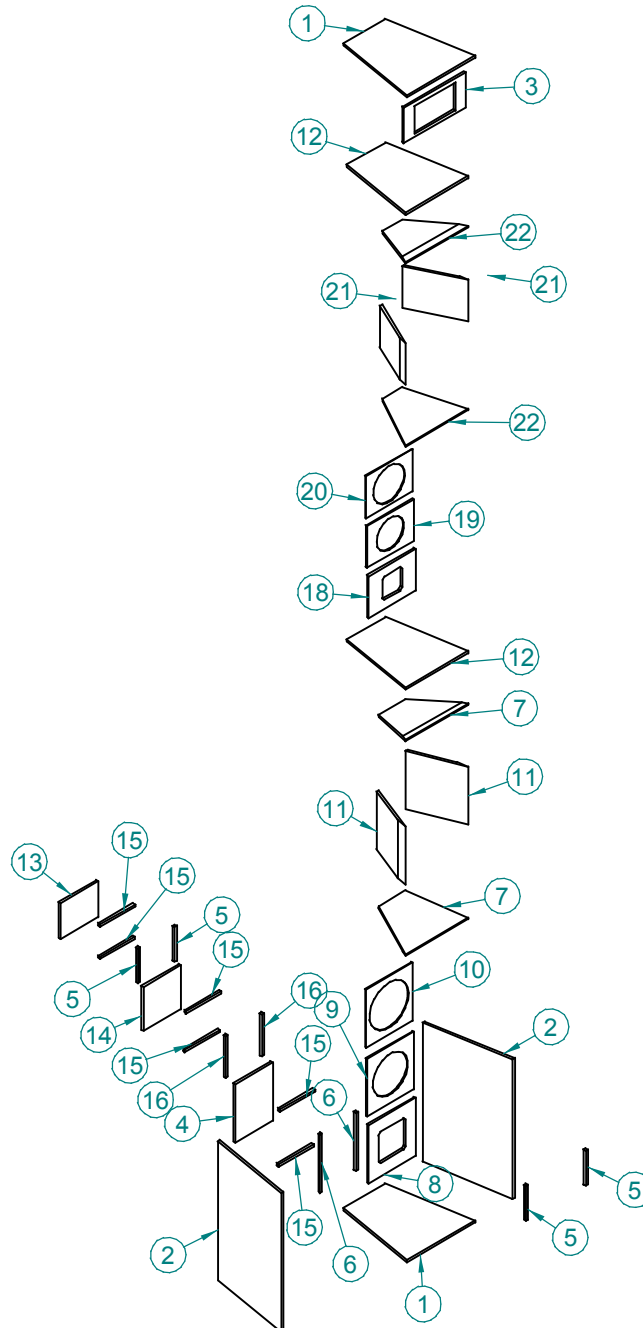
SELENIUM
LOUDSPEAKERS

BRAZIL Address:
ELETRÔNICA SELENIUM S.A.
BR 386 Km 435 / 92.480-000
Nova Santa Rita - RS - Brazil
Fax: +(55) 51 479-1120
www.selenium.com.br

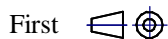
Trapezoidal cabinet, three way, horn type, for use in PA systems, with one 15" woofer, one 12" mid-bass and one titanium compression driver with horn.

Components:

- WPU1505 or WPU1507 woofer (1 piece)
- 12MB2P mid-bass (1 piece)
- D4400Ti or D408Ti or D3300Ti DPD or D3305Ti DPD driver (1 piece)
- HL4750-SLF horn (1 piece)



Projection Angle:



Specifications subject to change without notice.

03/03 - Rev.: 01 - Page: 2/6

NOTES:

Cut off Frequency:

15" Speaker: Low: 120 Hz.
High: 300 Hz.

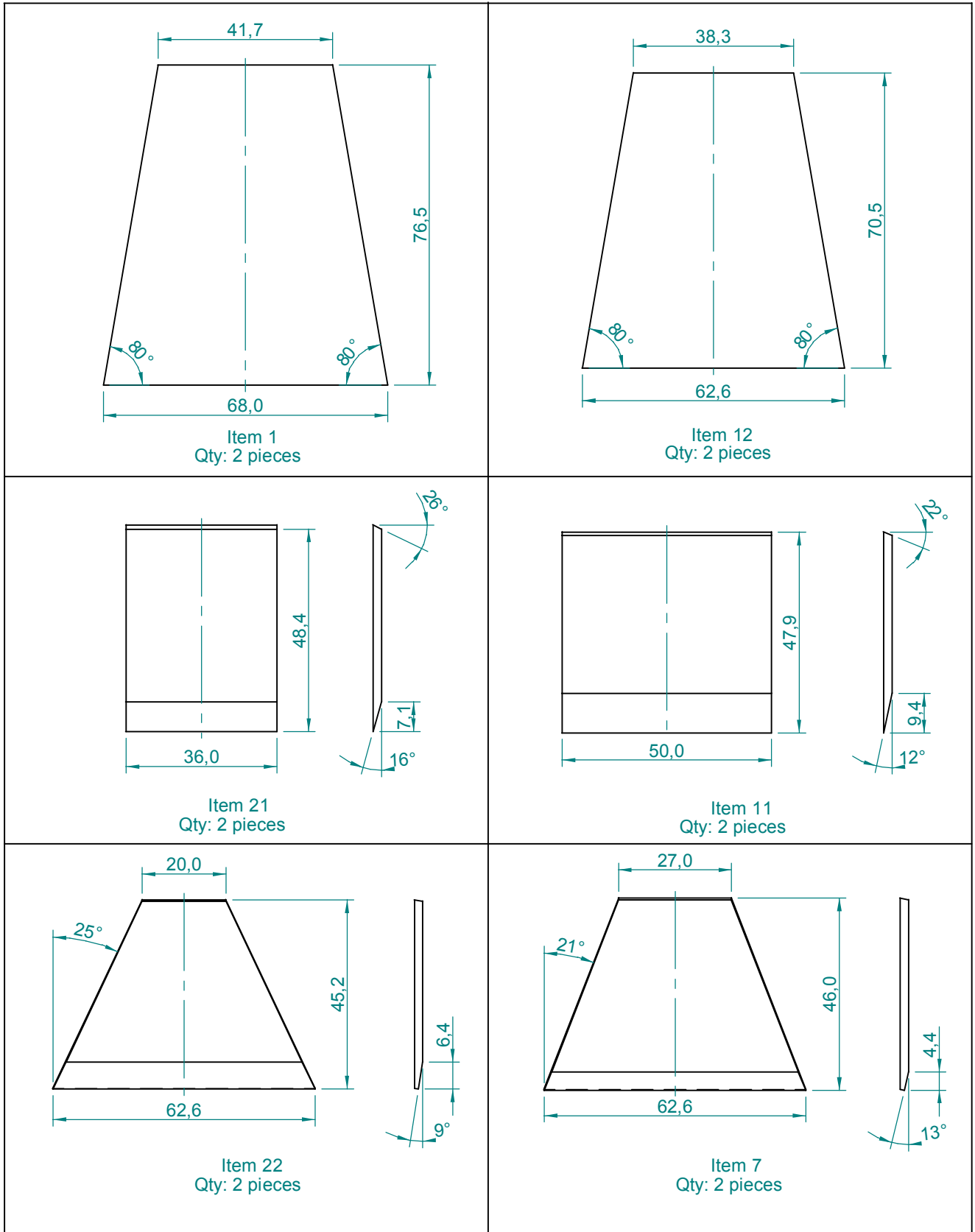
12" Speaker: Low: 300 Hz.
High: 1.200 Hz.

Driver: Low: 1.200 Hz.

Recommended Crossover: Active, Linkwitz-Riley, 24 dB/oct.

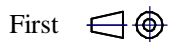
| Ítem | Qtde | Description | Material | Notes |
|------|------|--------------|---------------|-------|
| 1 | 2 | Top/Botton | Plywood 20 mm | |
| 2 | 2 | Lateral | Plywood 20 mm | |
| 3 | 1 | Panel 1 | Plywood 20 mm | |
| 4 | 1 | Rear Panel 1 | Plywood 20 mm | |
| 5 | 4 | Frame 1 | Plywood 20 mm | |
| 6 | 2 | Frame 2 | Plywood 20 mm | |
| 7 | 2 | Ramp 1 | Plywood 20 mm | |
| 8 | 1 | Panel 2 | Plywood 20 mm | |
| 9 | 1 | Panel 3 | Plywood 10 mm | |
| 10 | 1 | Panel 4 | Plywood 10 mm | |
| 11 | 2 | Ramp 2 | Plywood 20 mm | |
| 12 | 2 | Partition 1 | Plywood 20 mm | |
| 13 | 1 | Rear Panel 3 | Plywood 20 mm | |
| 14 | 1 | Rear Panel 2 | Plywood 20 mm | |
| 15 | 6 | Frame 3 | Plywood 20 mm | |
| 16 | 2 | Frame 4 | Plywood 20 mm | |
| 18 | 1 | Panel 5 | Plywood 20 mm | |
| 19 | 1 | Panel 6 | Plywood 10 mm | |
| 20 | 1 | Panel 7 | Plywood 10 mm | |
| 21 | 2 | Ramp 3 | Plywood 20 mm | |
| 22 | 2 | Ramp 4 | Plywood 20 mm | |

Specifications subject to
change without notice.

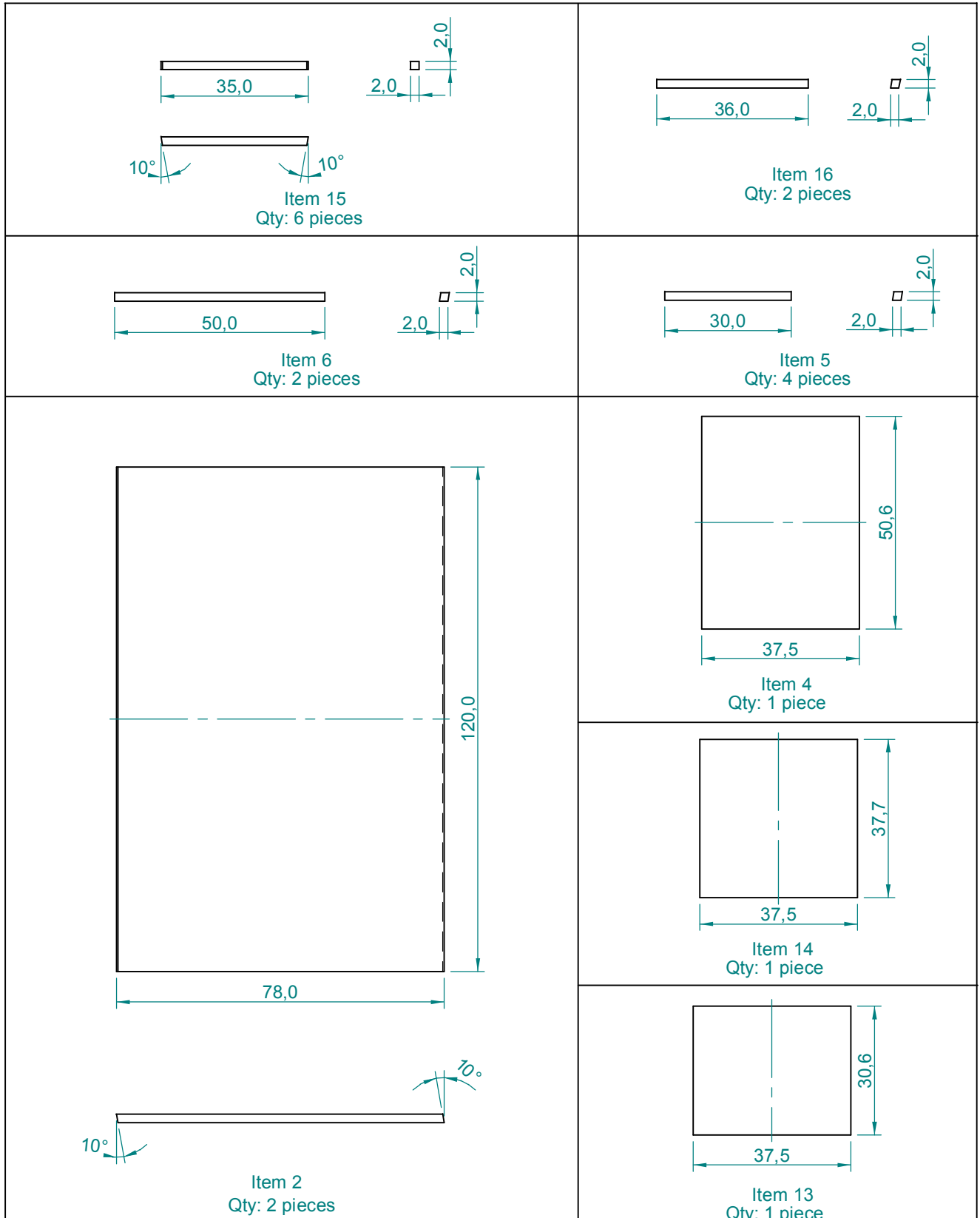


Dimensions in cm.

Projection Angle:



Specifications subject to change without notice.

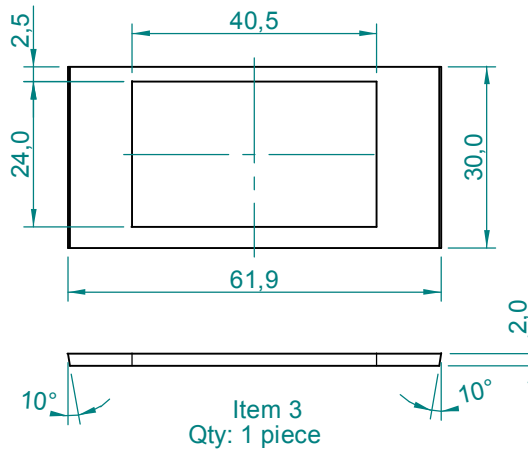
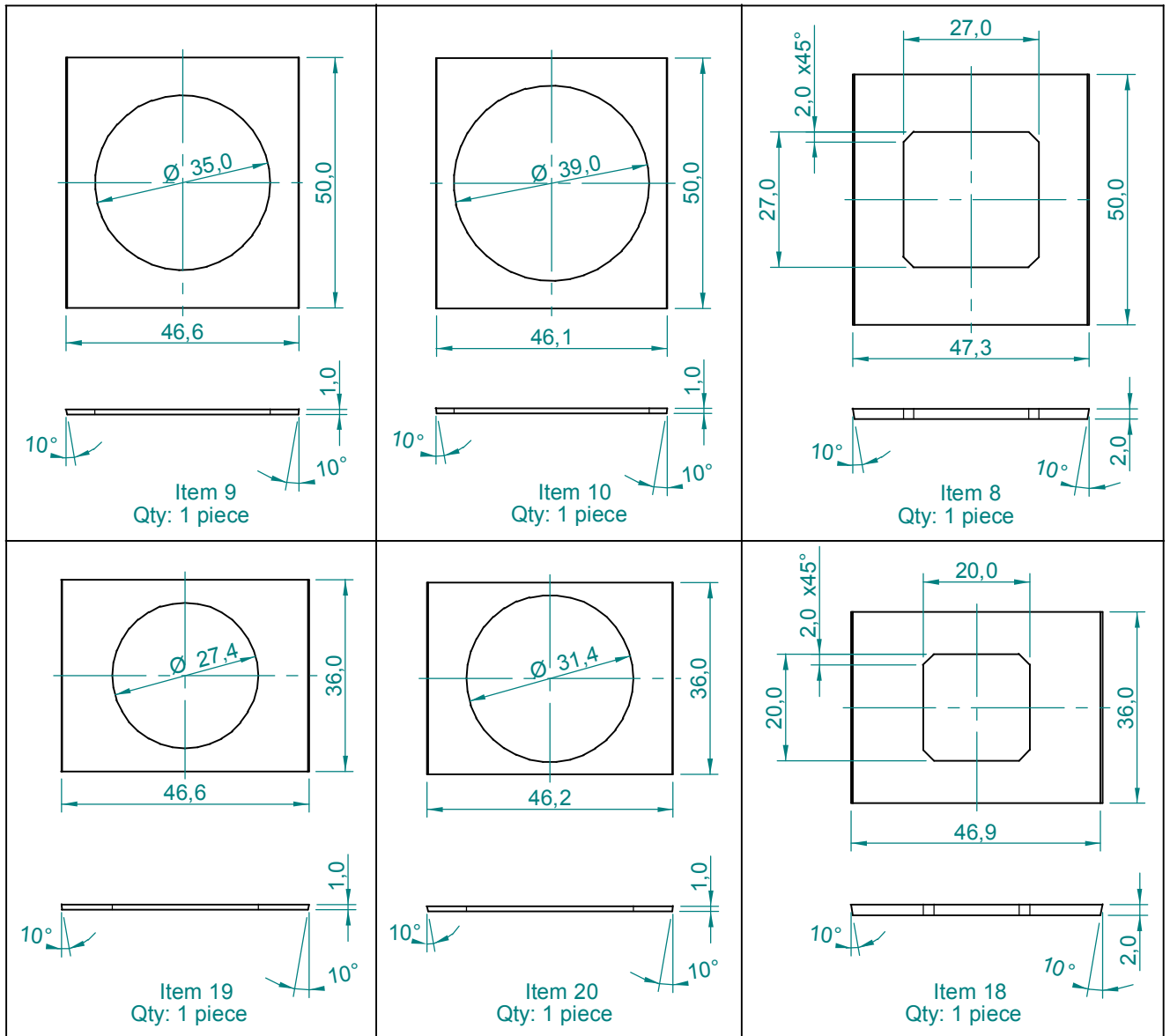


Dimensions in cm.

Projection Angle:

First

Specifications subject to change without notice.



Dimensions in cm.

Projection Angle:

First

Specifications subject to change without notice.

03/03 - Rev.: 01 - Page: 6/6

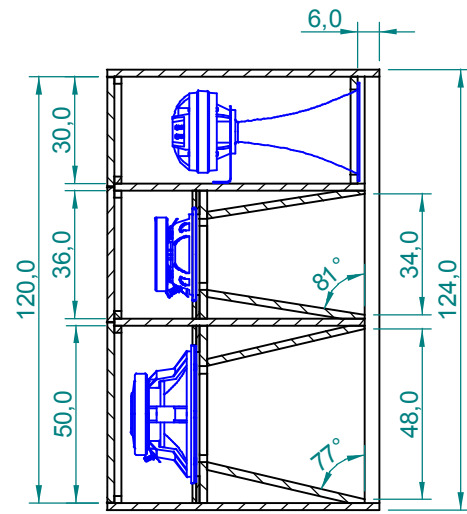
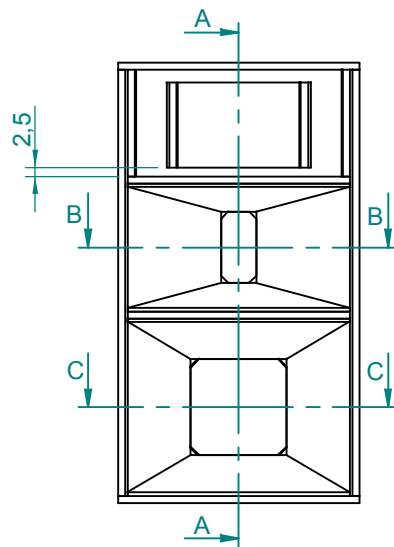
F:\CAIXAS ACÚSTICAS\PAS\PAS3\PAS3MA2\PAS3MA2INGLES

EUROPE Address:
SELENIUM EUROPE
Germany
www.seleniumloudspeakers.com

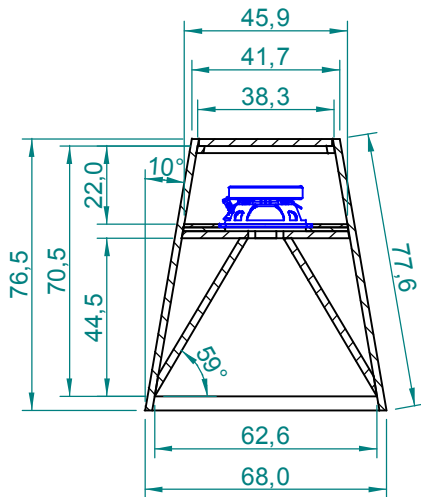
USA Address:
SELENIUM USA
USA
www.seleniumloudspeakers.com

SELENIUM
LOUDSPEAKERS

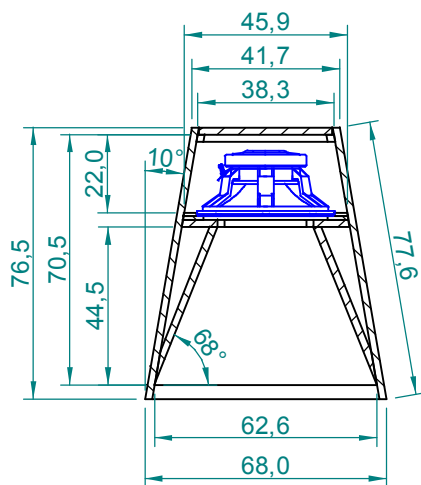
BRAZIL Address:
ELETRÔNICA SELENIUM S.A.
BR 386 Km 435 / 92.480-000
Nova Santa Rita - RS - Brazil
Fax: +(55) 51 479-1120
www.selenium.com.br



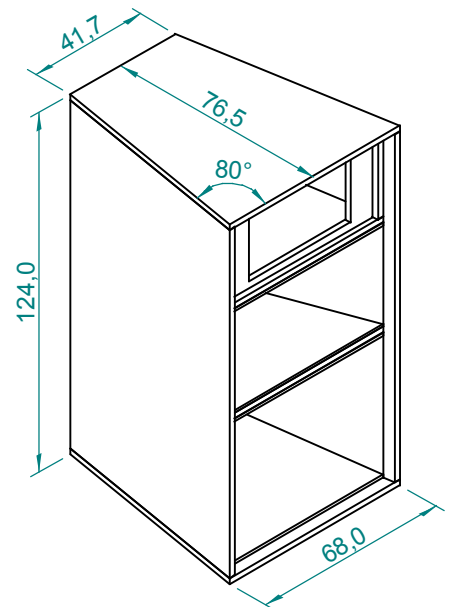
Section A-A



Section B-B



Section C-C



Dimensions in cm.

Projection Angle:

First

Specifications subject to change without notice.

03/03 - Rev.: 01 - Page: 1/6

F:\CAIXAS ACÚSTICAS\PAS\PAS3\PAS3MA3\PAS3MA3INGLES

EUROPE Address:
SELENIUM EUROPE
Germany
www.seleniumloudspeakers.com

USA Address:
SELENIUM USA
USA
www.seleniumloudspeakers.com

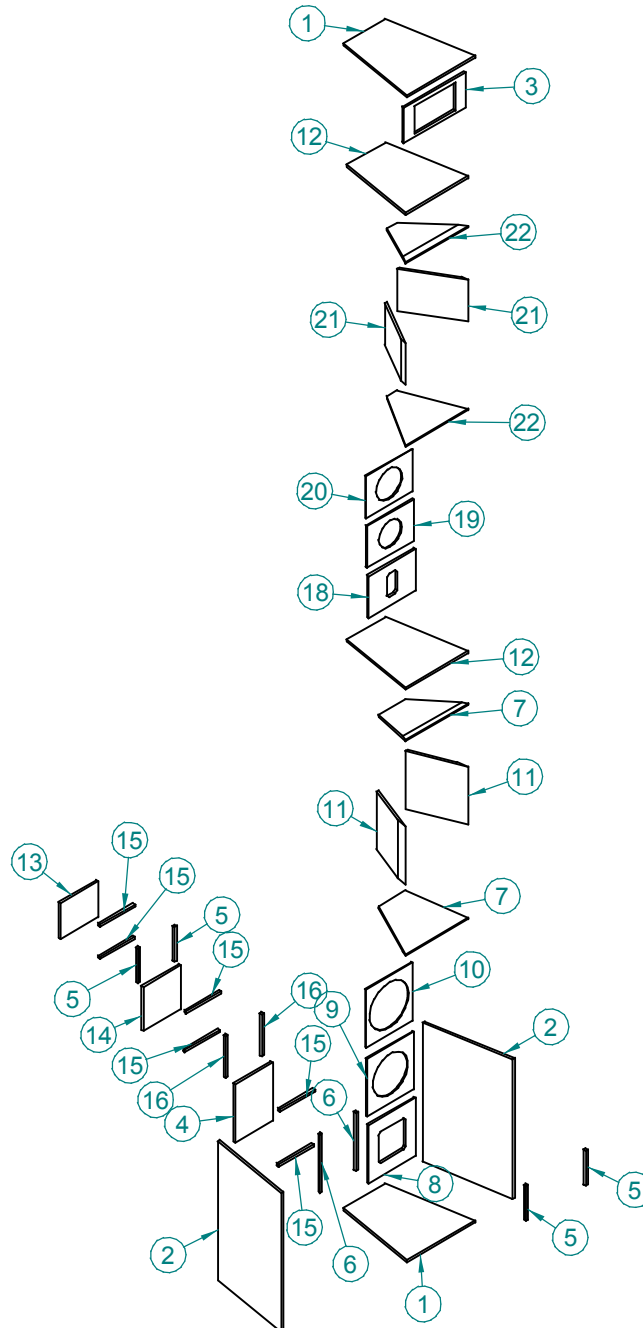
SELENIUM
LOUDSPEAKERS

BRAZIL Address:
ELETRÔNICA SELENIUM S.A.
BR 386 Km 435 / 92.480-000
Nova Santa Rita - RS - Brazil
Fax: +(55) 51 479-1120
www.selenium.com.br

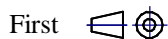
Trapezoidal cabinet, three way, horn type, for use in PA systems, with one 15" woofer, one 10" mid-bass and one titanium compression driver with horn.

Components:

- WPU1505 or WPU1507 woofer (1 piece)
- 10MB1P mid-bass (1 piece)
- D4400Ti or D408Ti or D3300Ti DPD or D3305Ti DPD driver (1 piece)
- HL4750-SLF horn (1 piece)



Projection Angle:



Specifications subject to change without notice.

NOTES:

Cut off Frequency:

15" Speaker: Low: 120 Hz.
High: 300 Hz.

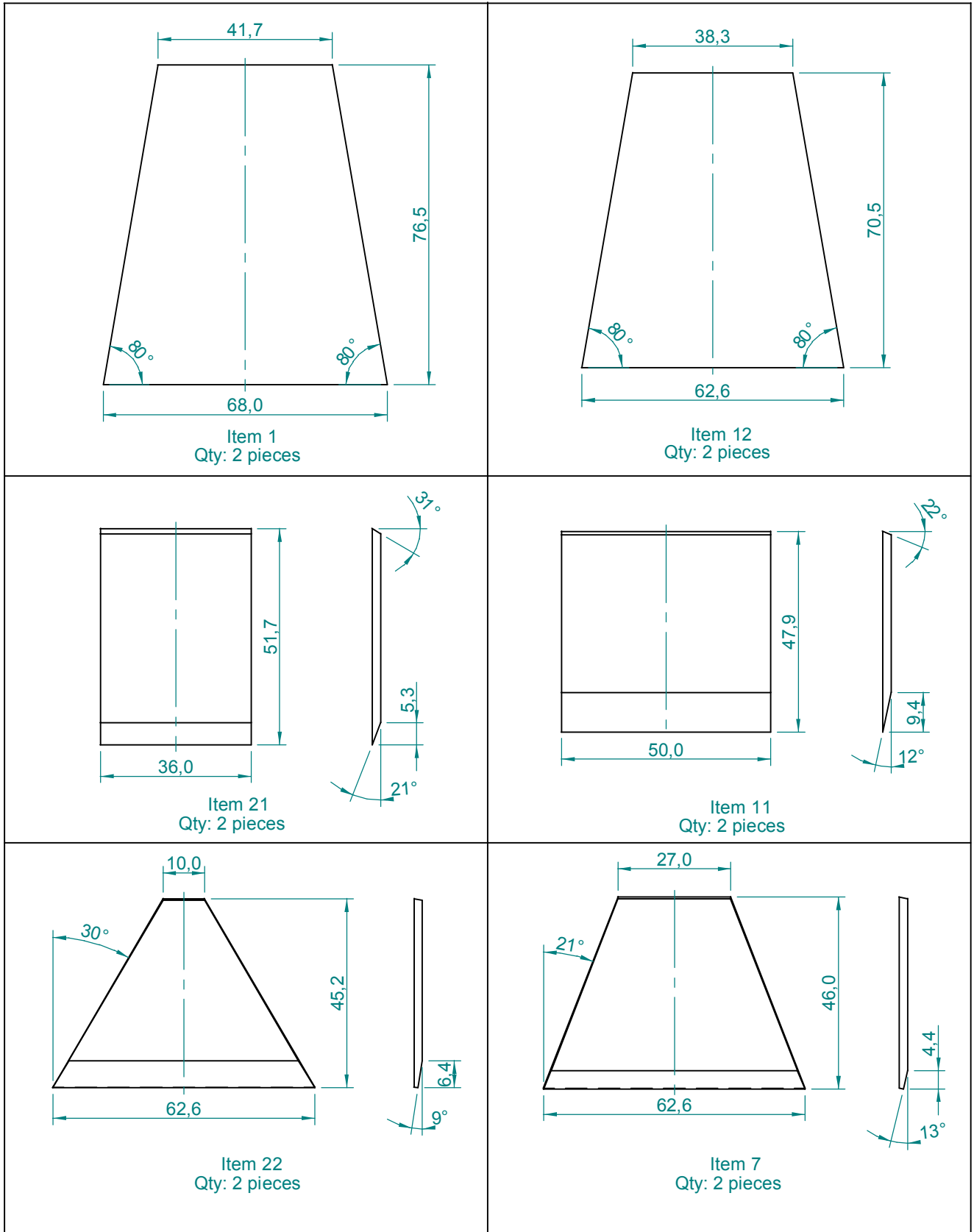
10" Speaker: Low: 300 Hz.
High: 1.200 Hz.

Driver: Low: 1.200 Hz.

Recommended Crossover: Active, Linkwitz-Riley, 24 dB/oct.

| Item | Qty | Description | Material | Notes |
|------|-----|--------------|---------------|-------|
| 1 | 2 | Top/Botton | Plywood 20 mm | |
| 2 | 2 | Lateral | Plywood 20 mm | |
| 3 | 1 | Panel 1 | Plywood 20 mm | |
| 4 | 1 | Rear Panel 1 | Plywood 20 mm | |
| 5 | 4 | Frame 1 | Plywood 20 mm | |
| 6 | 2 | Frame 2 | Plywood 20 mm | |
| 7 | 2 | Ramp 1 | Plywood 20 mm | |
| 8 | 1 | Panel 2 | Plywood 20 mm | |
| 9 | 1 | Panel 3 | Plywood 10 mm | |
| 10 | 1 | Panel 4 | Plywood 10 mm | |
| 11 | 2 | Ramp 2 | Plywood 20 mm | |
| 12 | 2 | Partition 1 | Plywood 20 mm | |
| 13 | 1 | Rear Panel 3 | Plywood 20 mm | |
| 14 | 1 | Rear Panel 2 | Plywood 20 mm | |
| 15 | 6 | Frame 3 | Plywood 20 mm | |
| 16 | 2 | Frame 4 | Plywood 20 mm | |
| 18 | 1 | Panel 5 | Plywood 20 mm | |
| 19 | 1 | Panel 6 | Plywood 10 mm | |
| 20 | 1 | Panel 7 | Plywood 10 mm | |
| 21 | 2 | Ramp 3 | Plywood 20 mm | |
| 22 | 2 | Ramp 4 | Plywood 20 mm | |

Specifications subject to
change without notice.

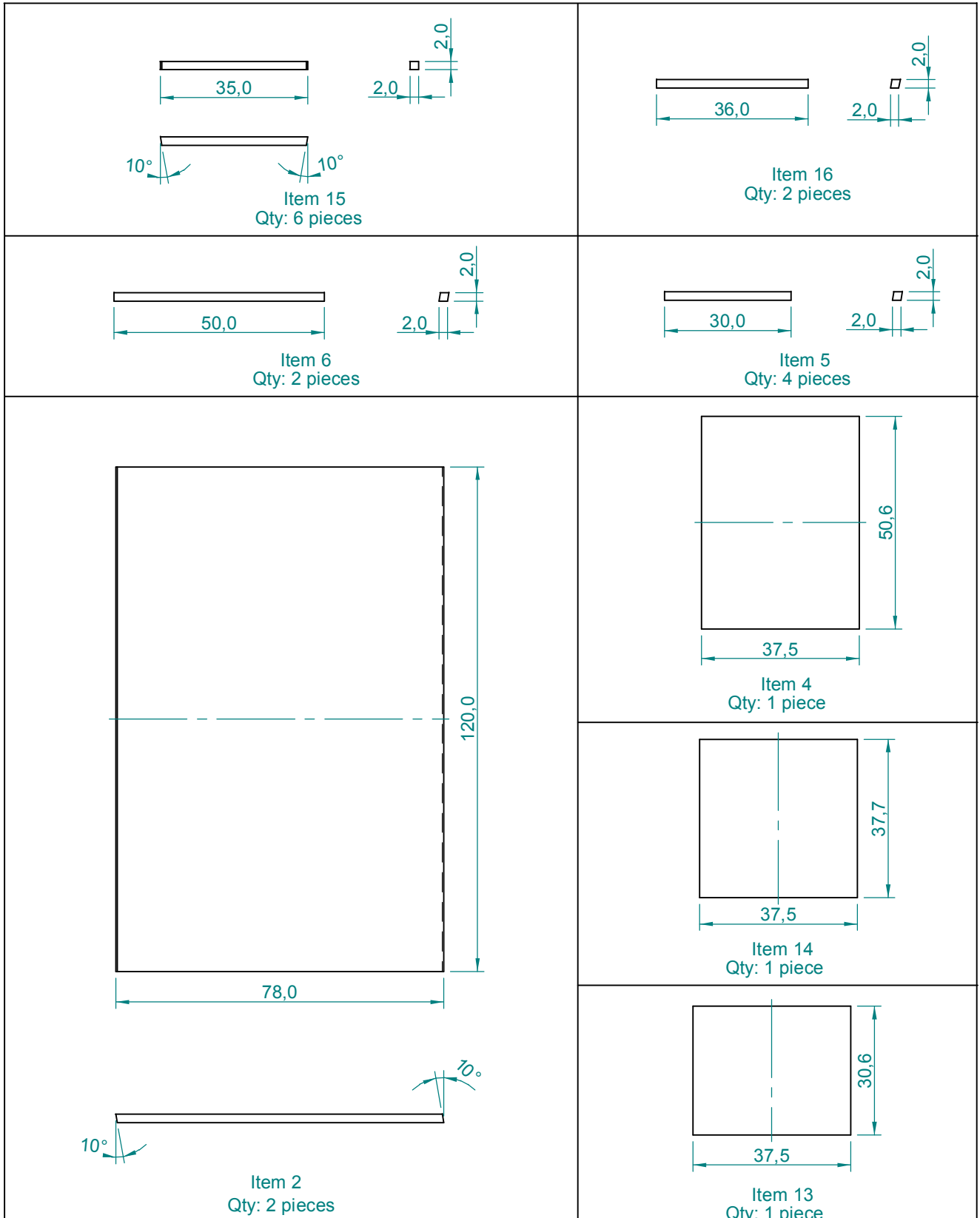


Dimensions in cm.

Projection Angle:

First

Specifications subject to change without notice.

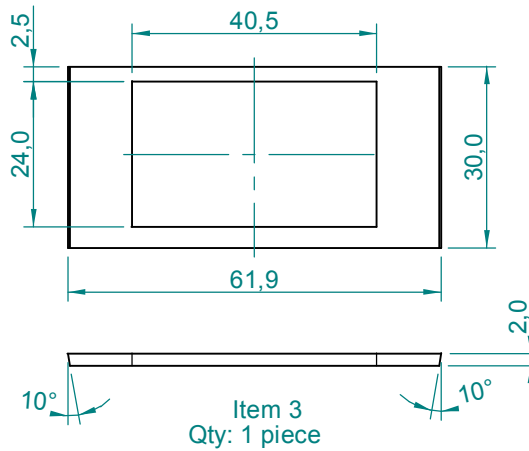
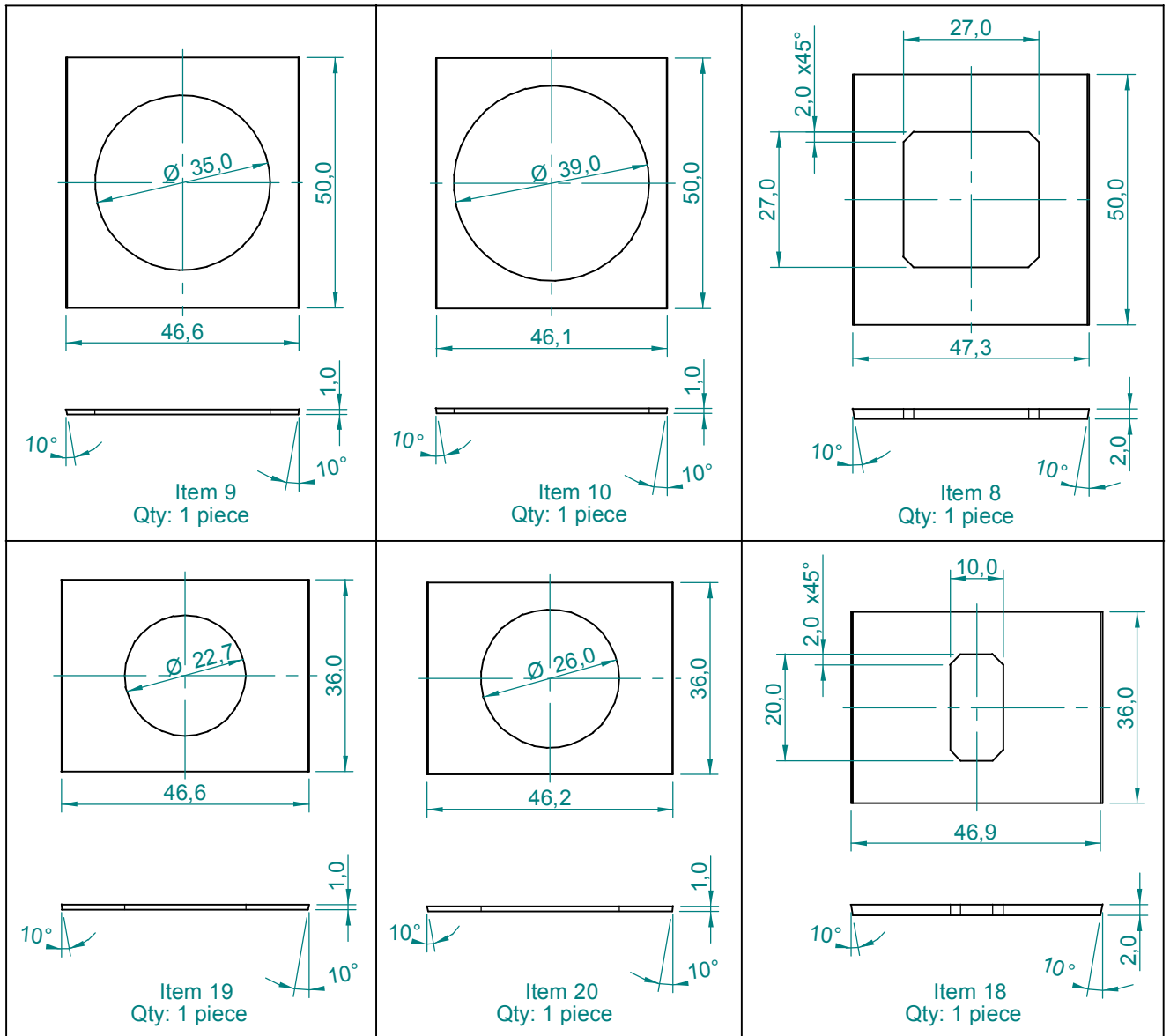


Dimensions in cm.

Projection Angle:

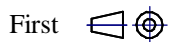
First

Specifications subject to change without notice.



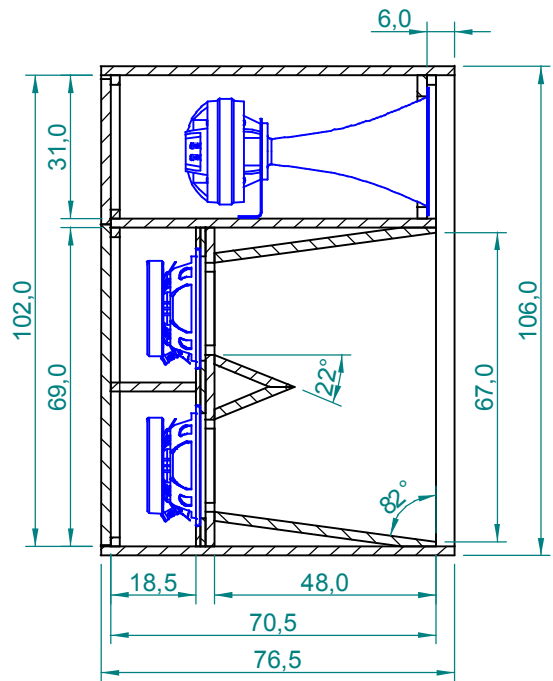
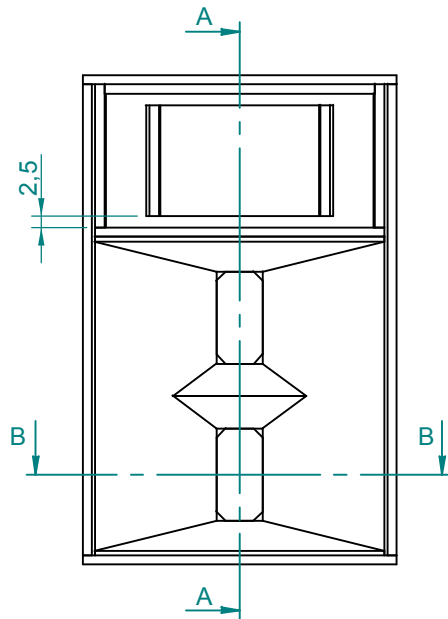
Dimensions in cm.

Projection Angle:

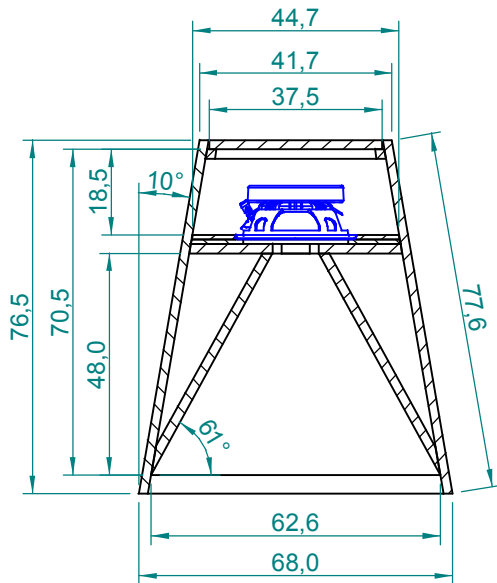


Specifications subject to change without notice.

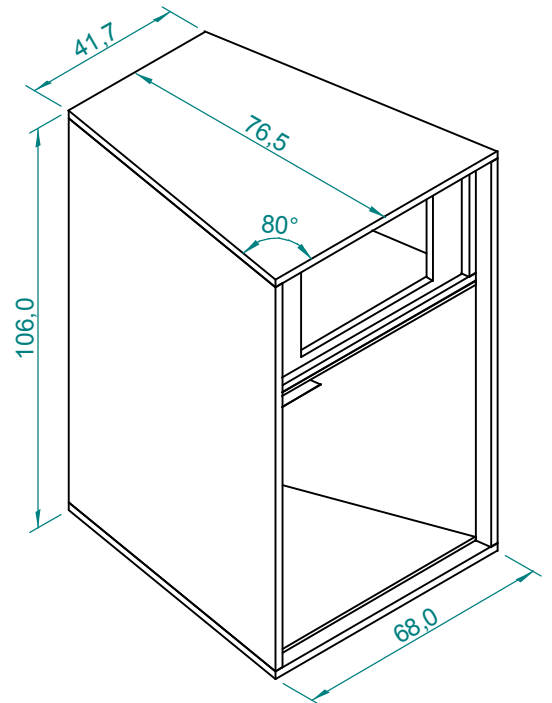
03/03 - Rev.: 01 - Page: 6/6



Section A-A



Section B-B



Dimensions in cm.

Projection Angle:

First

Specifications subject to change without notice.

03/03 - Rev.: 01 - Page: 1/6

F:\CAIXAS ACÚSTICAS\PAS\PAS3\PAS3MA4\PAS3MA4ANGLES

EUROPE Address:
SELENIUM EUROPE
Germany
www.seleniumloudspeakers.com

USA Address:
SELENIUM USA
USA
www.seleniumloudspeakers.com

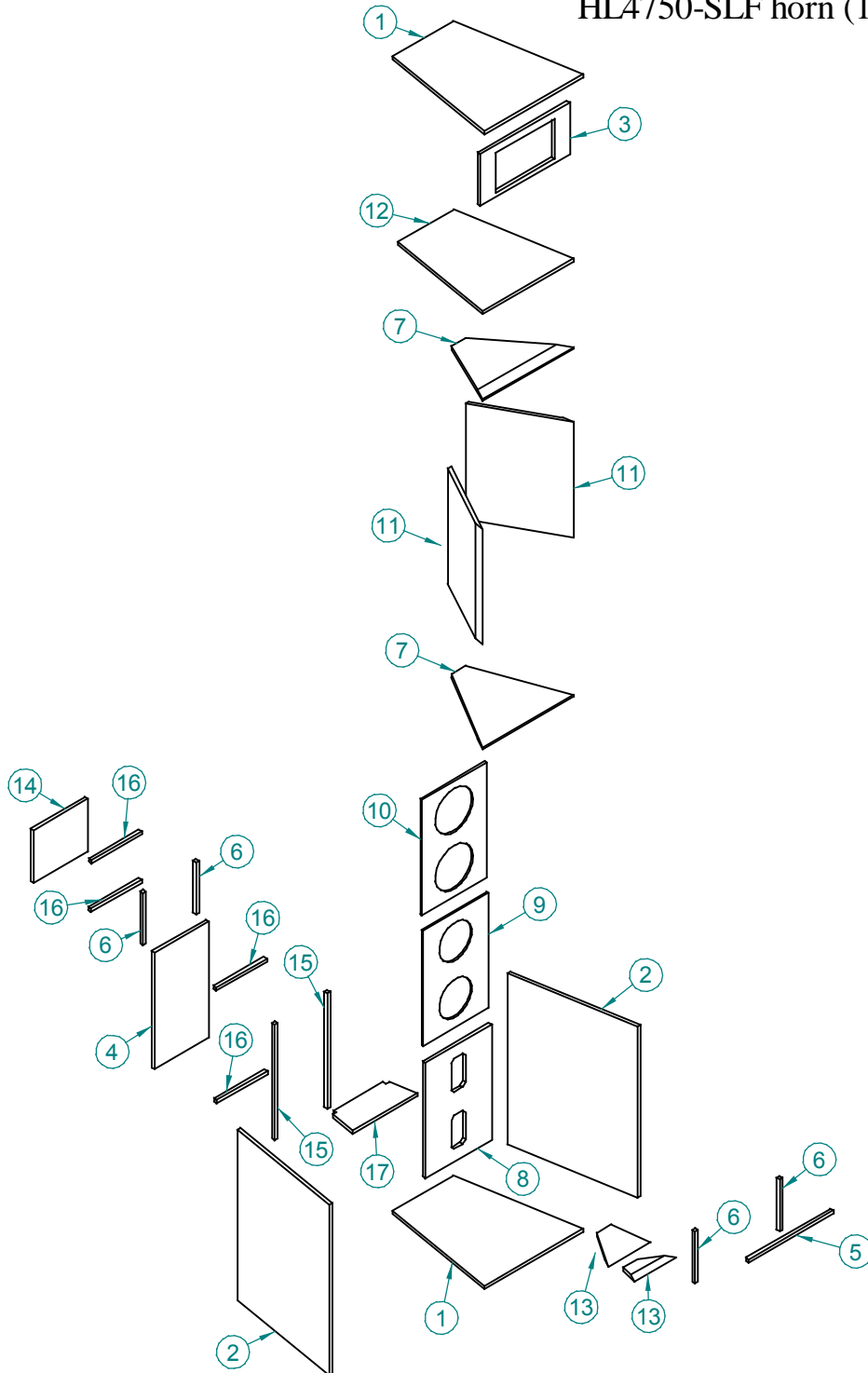
SELENIUM
LOUDSPEAKERS

BRAZIL Address:
ELETRÔNICA SELENIUM S.A.
BR 386 Km 435 / 92.480-000
Nova Santa Rita - RS - Brazil
Fax: +(55) 51 479-1120
www.selenium.com.br

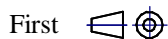
Trapezoidal cabinet, two way, horn type, for use in PA systems, with two 10" mid-bass and one titanium compression driver with horn.

Components:

- 10MB1P mid-bass (2 pieces)
- D4400Ti or D408Ti or D3300Ti DPD or D3305Ti DPD driver (1 piece)
- HL4750-SLF horn (1 piece)



Projection Angle:



Specifications subject to change without notice.

03/03 - Rev.: 01 - Page: 2/6

NOTES:

Cut off Frequency:

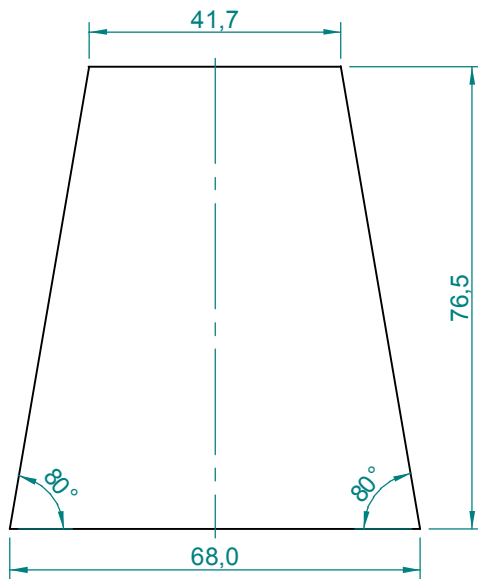
10" Speaker: Low: 200 Hz.
High: 1.200 Hz.

Driver: Low: 1.200 Hz.

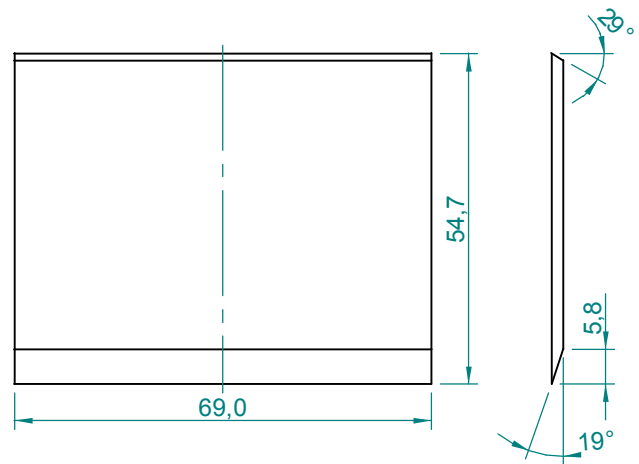
Recommended Crossover: Active, Linkwitz-Riley, 24 dB/oct.

| Item | Qty | Description | Material | Notes |
|------|-----|--------------|----------------|-------|
| 1 | 2 | Top/Bottom | Plywood 20 mm | |
| 2 | 2 | Lateral | Plywood 20 mm | |
| 3 | 1 | Panel 1 | Plywood 20 mm | |
| 4 | 1 | Rear Panel 1 | Plywood 20 mm | |
| 5 | 1 | Frame 1 | Plywood 20 mm | |
| 6 | 4 | Frame 2 | Plywood 20 mm | |
| 7 | 2 | Ramp 1 | Plywood 20 mm | |
| 8 | 1 | Panel 2 | Plywood 20 mm | |
| 9 | 1 | Panel 3 | Plywood 10 mm | |
| 10 | 1 | Panel 4 | Plywood 10 mm | |
| 11 | 2 | Ramp 2 | Plywood 20 mm | |
| 12 | 1 | Partition 1 | Plywood 20 mm | |
| 13 | 2 | Wedge | Plywood 20 mm | |
| 14 | 1 | Rear Panel 2 | Plywood 20 mm | |
| 15 | 2 | Frame 3 | Plywoods 20 mm | |
| 16 | 4 | Frame 4 | Plywood 20 mm | |
| 17 | 1 | Partition 2 | Plywood 20 mm | |

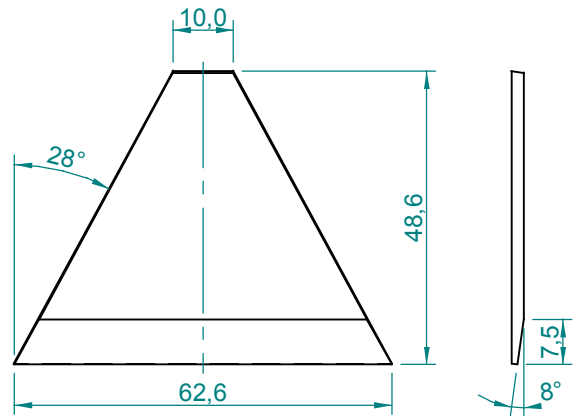
Specifications subject to
change without notice.



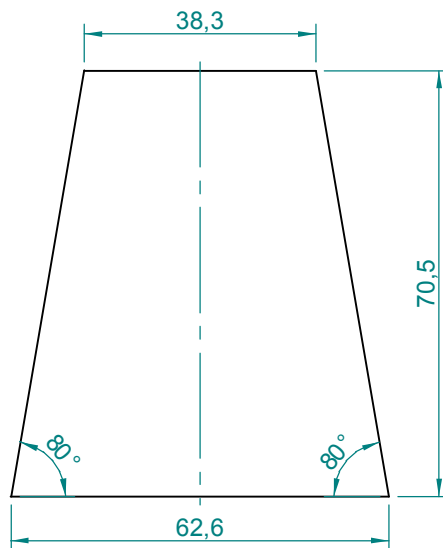
Item 1
Qty: 2 pieces



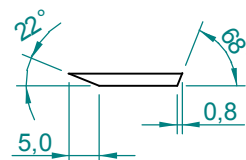
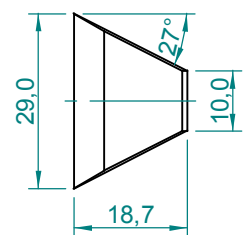
Item 11
Qty: 2 pieces



Item 7
Qty: 2 pieces



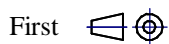
Item 12
Qty: 1 piece



Item 13
Qty: 2 pieces

Dimensions in cm.

Projection Angle:



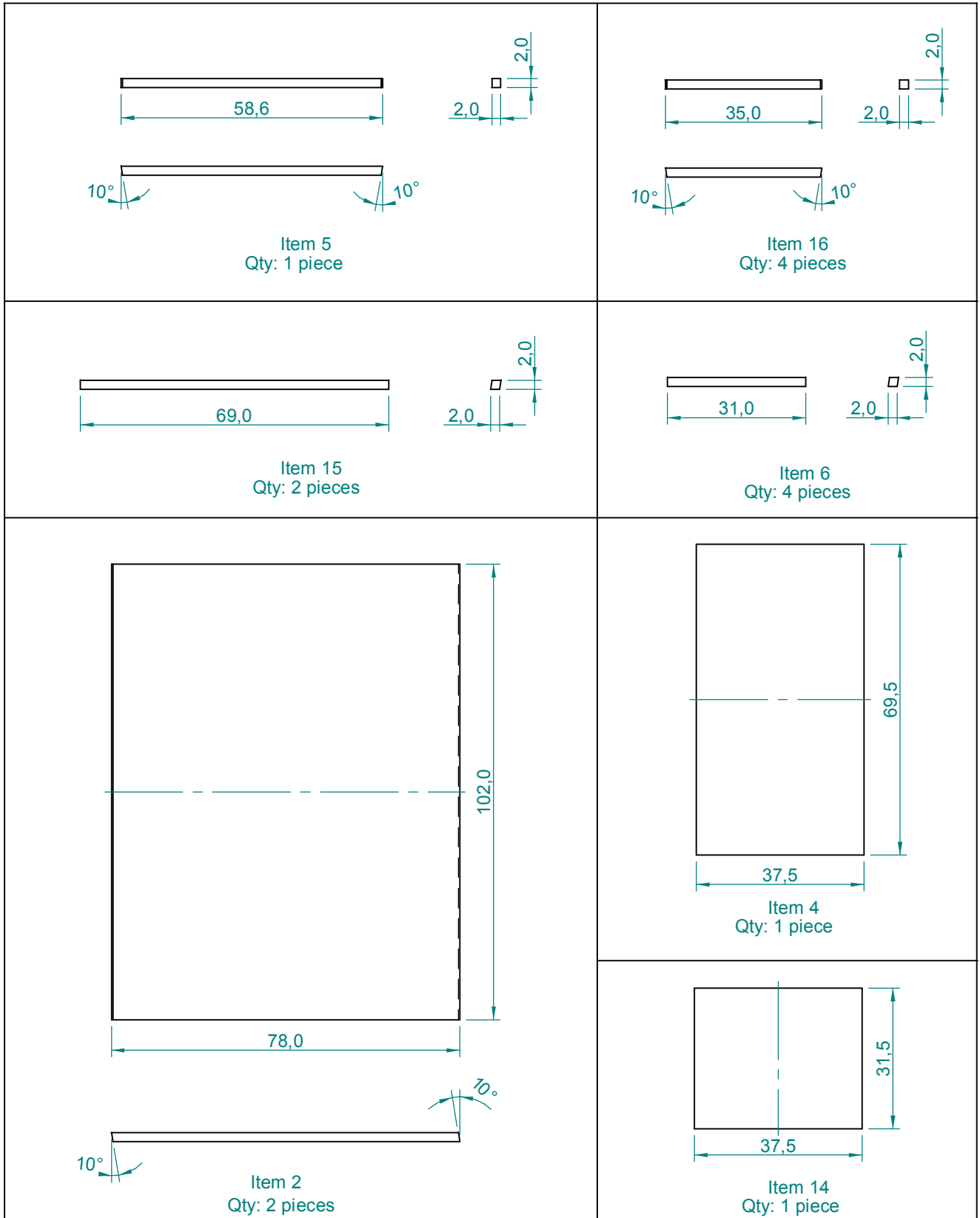
Specifications subject to
change without notice.

03/03 - Rev.: 01 - Page: 4/6

F:\CAIXAS ACÚSTICAS\PAS\PAS3\PAS3MA4\PAS3MA4INGLES

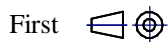
EUROPE Address:
SELENIUM EUROPE
Germany
www.seleniumloudspeakers.com

USA Address:
SELENIUM USA
USA
www.seleniumloudspeakers.com

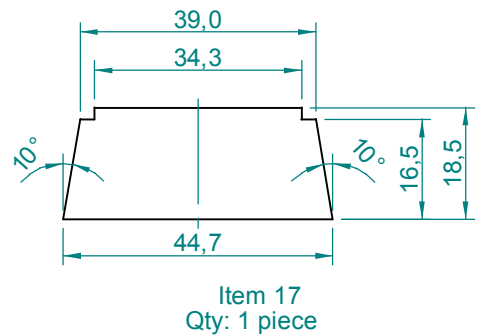
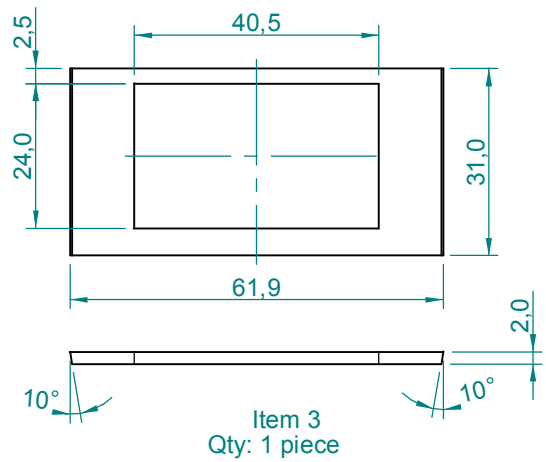
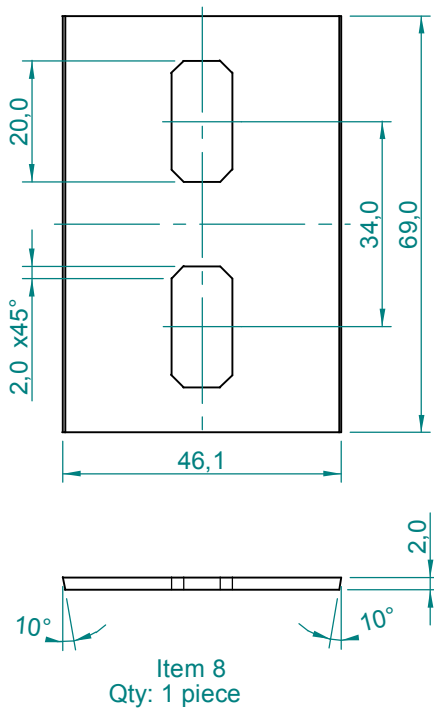
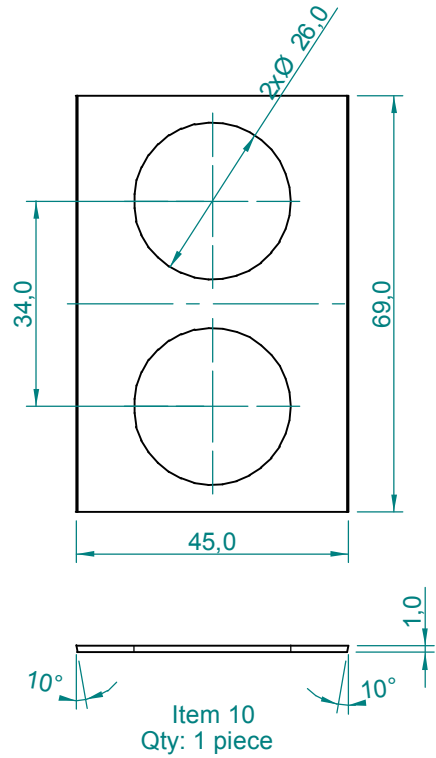
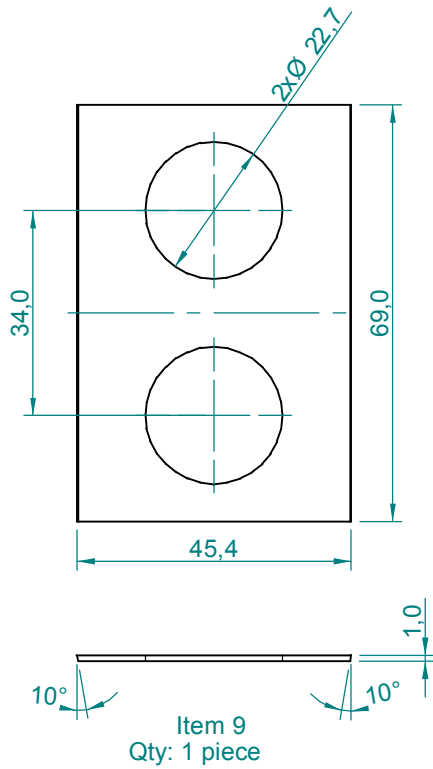


Dimensions in cm.

Projection Angle:



Specifications subject to change without notice.



Dimensions in cm.

Projection Angle:

First

Specifications subject to change without notice.

03/03 - Rev.: 01 - Page: 6/6

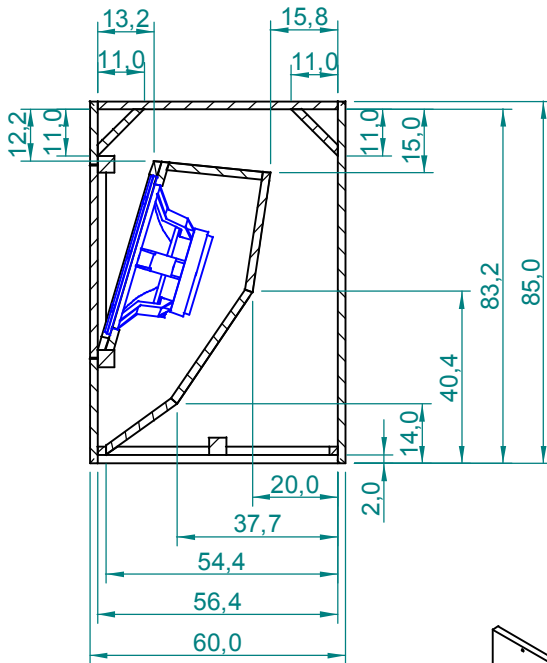
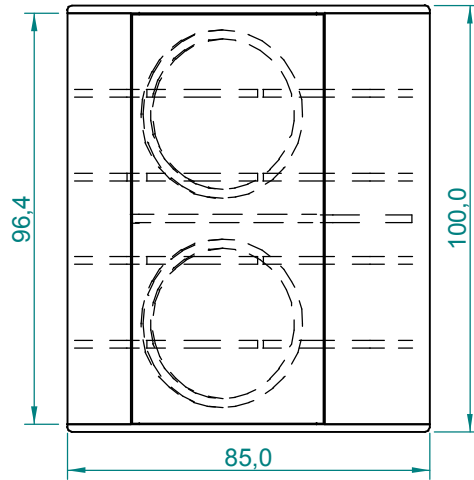
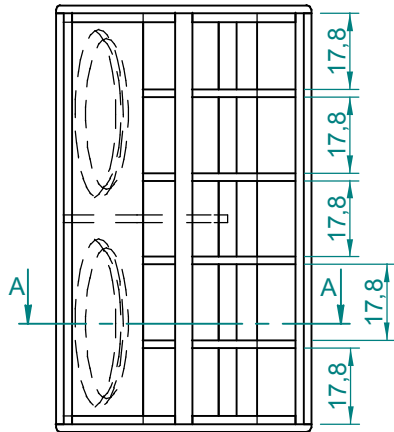
F:\CAIXAS ACÚSTICAS\PAS\PAS3\PAS3MA4\PAS3MA4INGLES

EUROPE Address:
SELENIUM EUROPE
Germany
www.seleniumloudspeakers.com

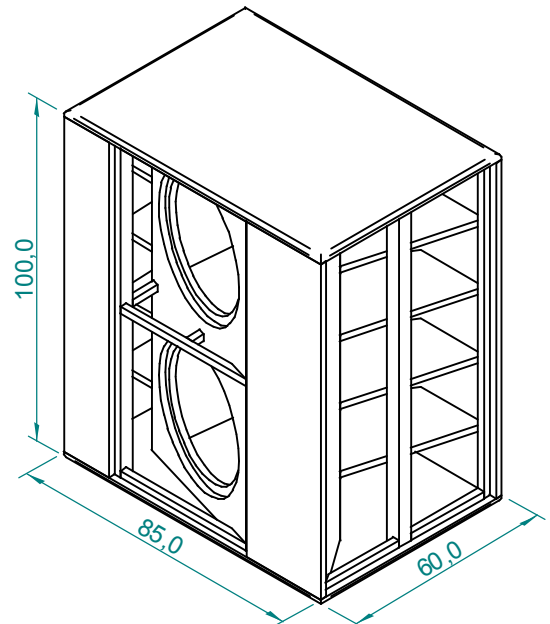
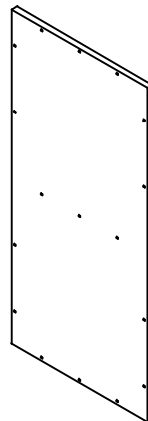
USA Address:
SELENIUM USA
USA
www.seleniumloudspeakers.com

SELENIUM
LOUDSPEAKERS

BRAZIL Address:
ELETRÔNICA SELENIUM S.A.
BR 386 Km 435 / 92.480-000
Nova Santa Rita - RS - Brazil
Fax: +(55) 51 479-1120
www.selenium.com.br



Section A-A



Dimensions in cm.

Projection Angle:

First

Specifications subject to change without notice.

08/03 - Rev.: 01 - Page: 1/6

F:\CAIXAS ACÚSTICAS\TRIO ELÉTRICO\HB1502B1\HB1502B1IN

EUROPE Address:
SELENIUM EUROPE
Germany
www.seleniumloudspeakers.com

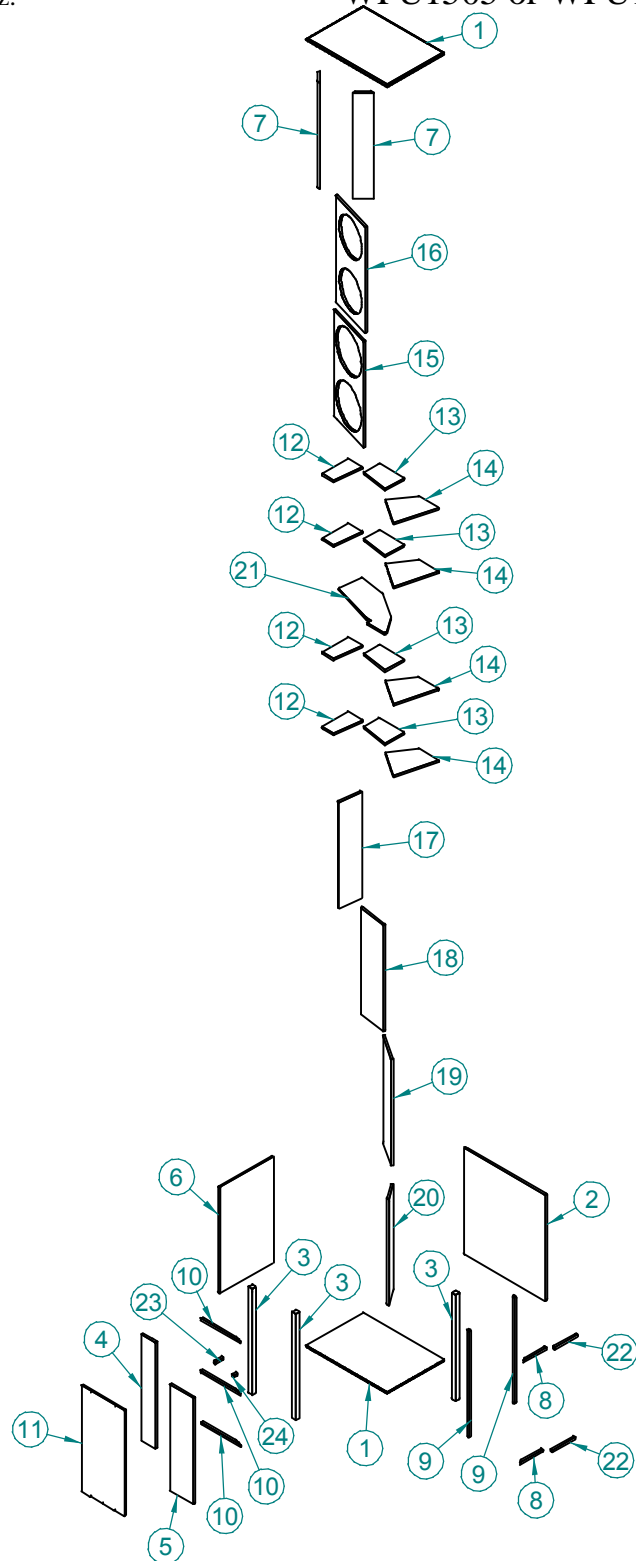
USA Address:
SELENIUM USA
USA
www.seleniumloudspeakers.com

SELENIUM
LOUDSPEAKERS

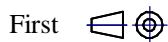
BRAZIL Address:
ELETRÔNICA SELENIUM S.A.
BR 386 Km 435 / 92.480-000
Nova Santa Rita - RS - Brazil
Fax: +(55) 51 479-1120
www.selenium.com.br

Reinforced low frequency folded horn for the use on big trucks mobile sound systems (trio eletricos) and conventional PA systems. High efficiency frequency response from 40 to 200 Hz.

Components:
15SW1P subwoofer or
WPU1505 or WPU1507 woofer (2 pieces)



Projection Angle:



Specifications subject to change without notice.

NOTES:

Gross internal volume of the 15" low frequency chamber: 63 liters.
Net internal volume of the 15" low frequency chamber: 57 liters.

Perimeter of the mouth of the horn: 290,0 centimeters.
Medium length of the folded horn: 144 centimeters.

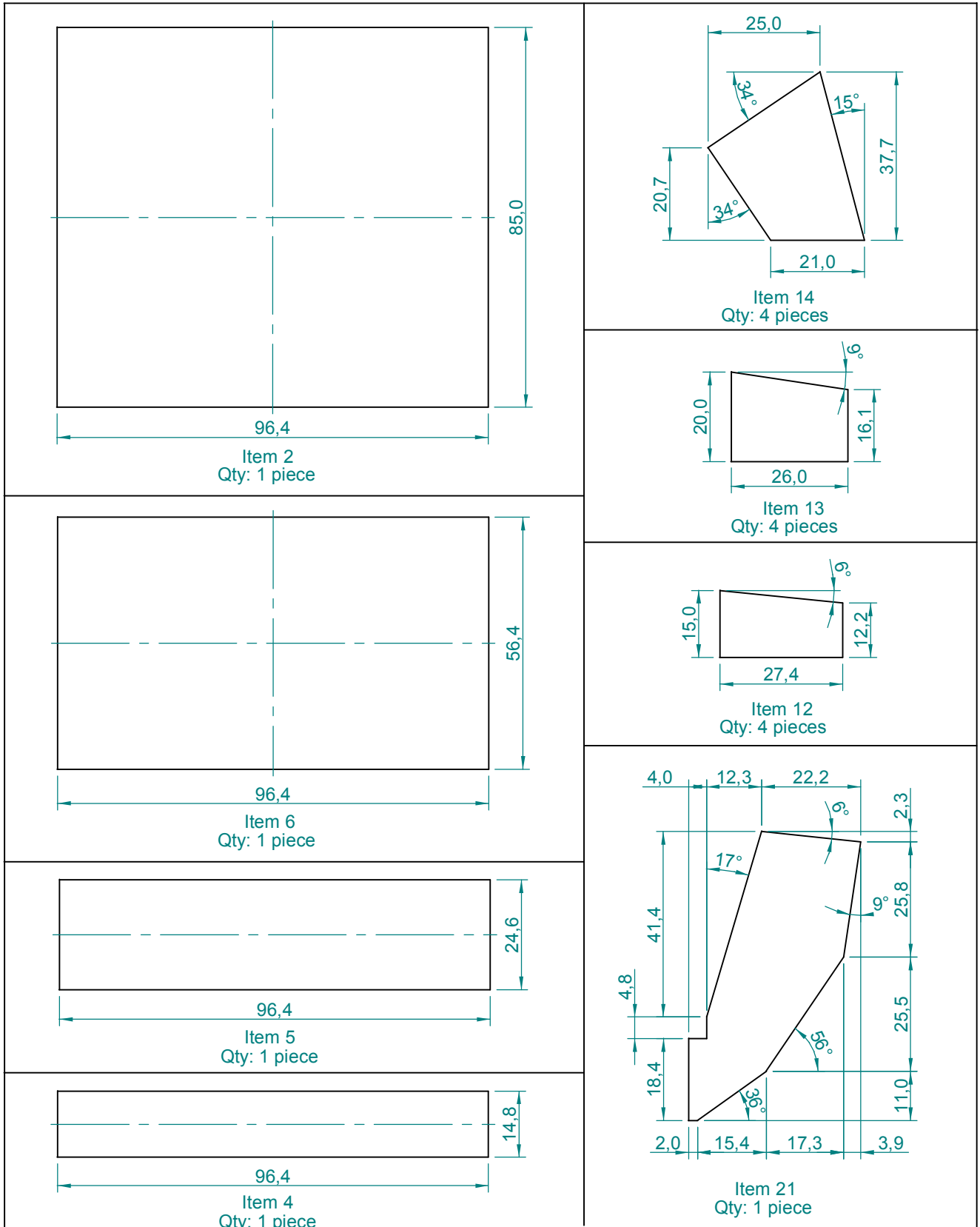
Cut off Frequency:

15" Speaker: Low: 40 Hz.
High: 200 Hz.

Recommended Crossover: Active, Linkwitz-Riley, 24 dB/oct.

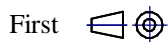
| Item | Qty | Description | Material | Notes |
|------|-----|------------------------------|---------------|-------|
| 1 | 2 | Basis/Cover | Plywood 18 mm | |
| 2 | 1 | Lateral 1 | Plywood 18 mm | |
| 3 | 3 | Frame 1 | Wood 40x40 mm | |
| 4 | 1 | Lateral 3 | Plywood 18 mm | |
| 5 | 1 | Lateral 2 | Plywood 18 mm | |
| 6 | 1 | Back | Plywood 18 mm | |
| 7 | 2 | Corner Plate | Plywood 18 mm | |
| 8 | 2 | Frame 3 | Wood 20x20 mm | |
| 9 | 2 | Frame 4 | Wood 20x20 mm | |
| 10 | 3 | Frame 5 | Wood 20x20 mm | |
| 11 | 1 | Lateral Panel | Plywood 18 mm | |
| 12 | 4 | Internal Reinforcement 1 | Plywood 18 mm | |
| 13 | 4 | Internal Reinforcement 2 | Plywood 18 mm | |
| 14 | 4 | Internal Reinforcement 3 | Plywood 18 mm | |
| 15 | 1 | Internal Panel 1 | Plywood 18 mm | |
| 16 | 1 | Internal Panel 2 | Plywood 18 mm | |
| 17 | 1 | Exponential 1 | Plywood 18 mm | |
| 18 | 1 | Exponential 2 | Plywood 18 mm | |
| 19 | 1 | Exponential 3 | Plywood 18 mm | |
| 20 | 1 | Exponential 4 | Plywood 18 mm | |
| 21 | 1 | Partition | Plywood 18 mm | |
| 22 | 2 | Frame 2 | Wood 20x20 mm | |
| 23 | 1 | Reinforcement 2 of the Frame | Wood 20x20 mm | |
| 24 | 1 | Reinforcement 1 of the Frame | Wood 20x20 mm | |

Specifications subject to
change without notice.

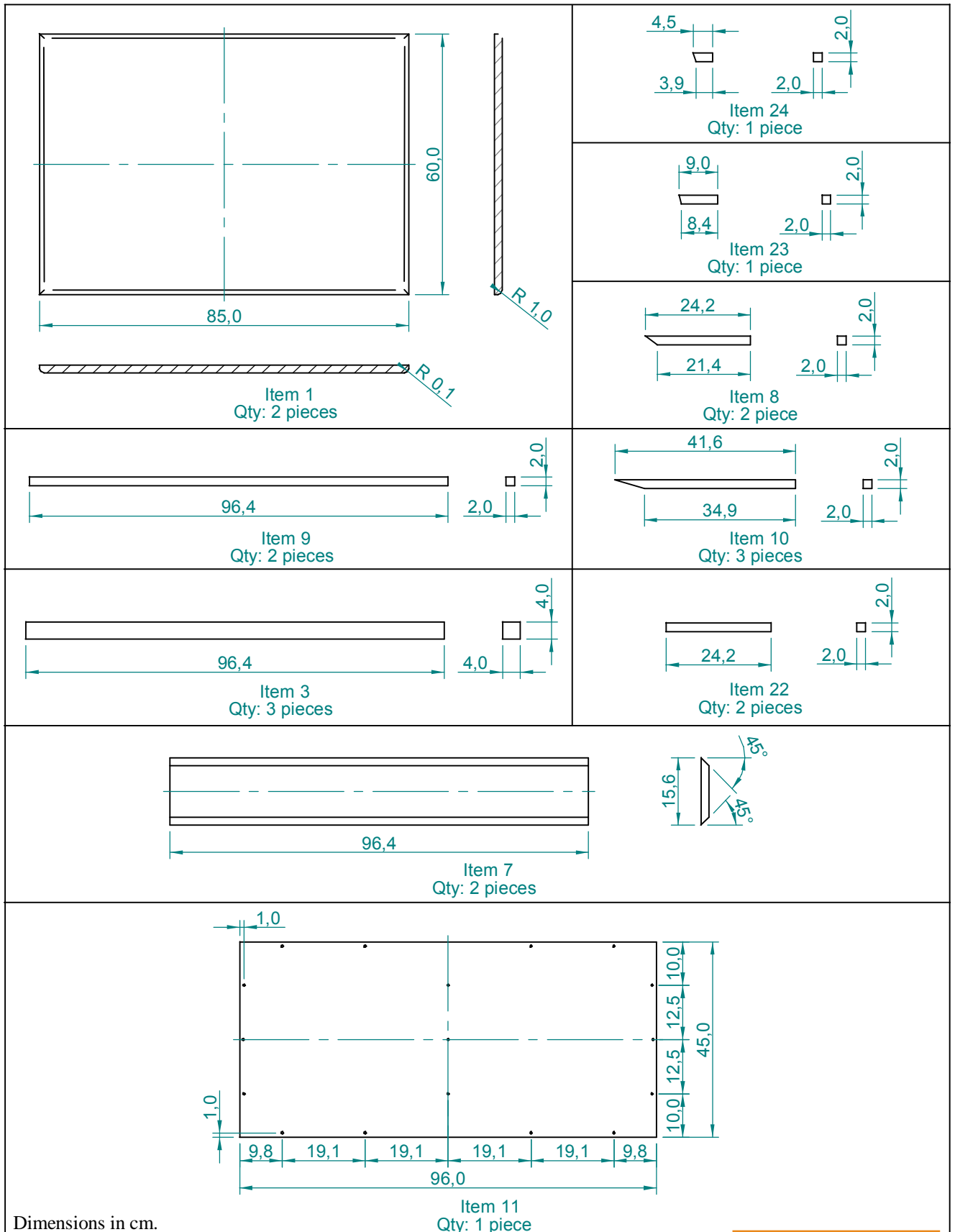


Dimensions in cm.

Projection Angle:



Specifications subject to change without notice.

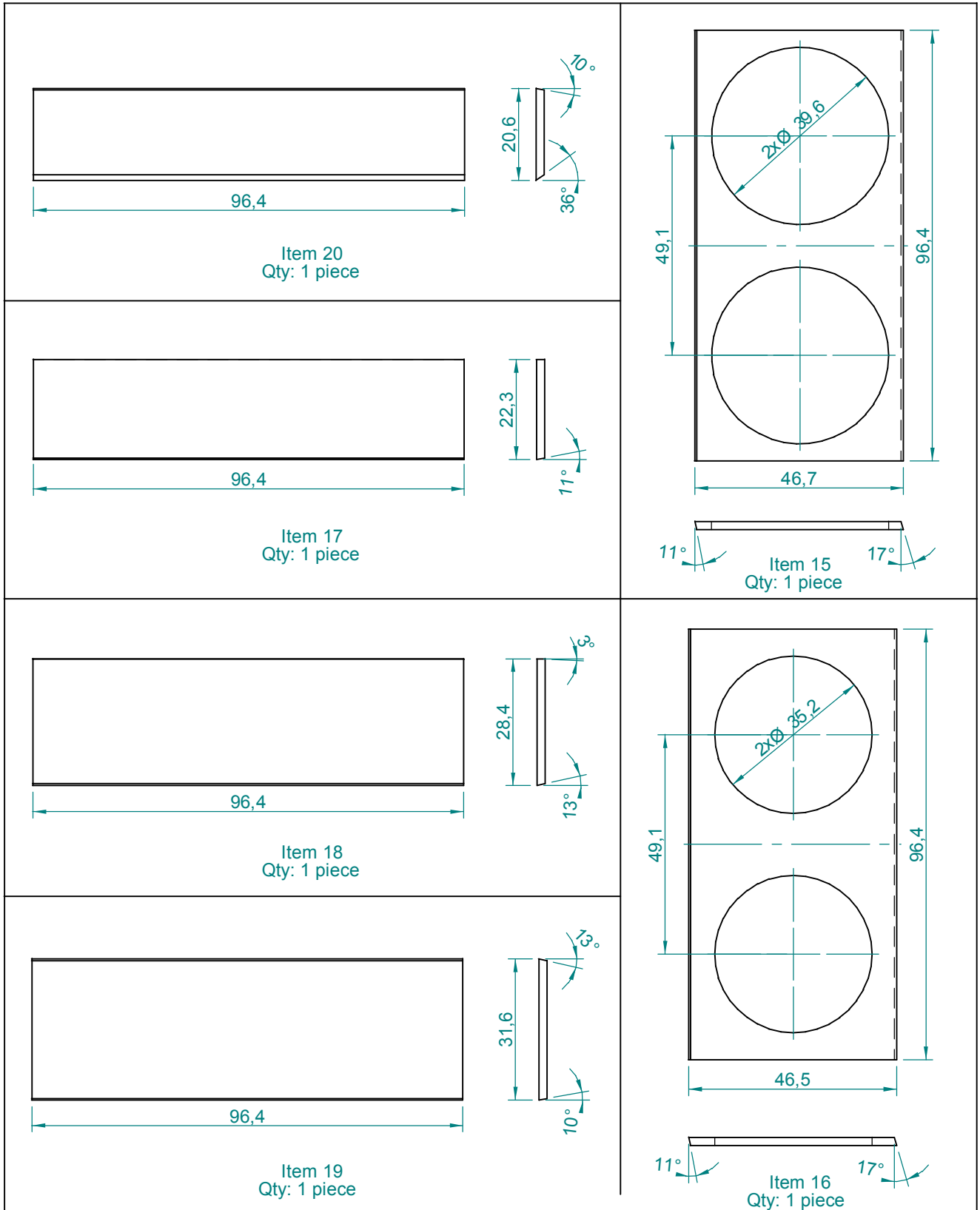


Dimensions in cm.

Projection Angle:



First

Specifications subject to change without notice.

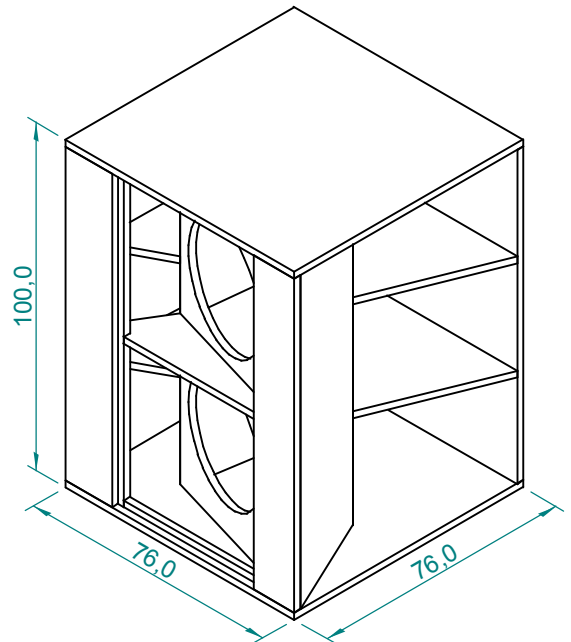
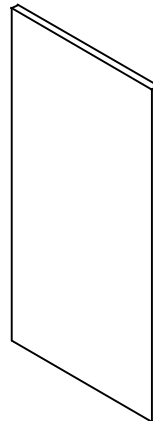
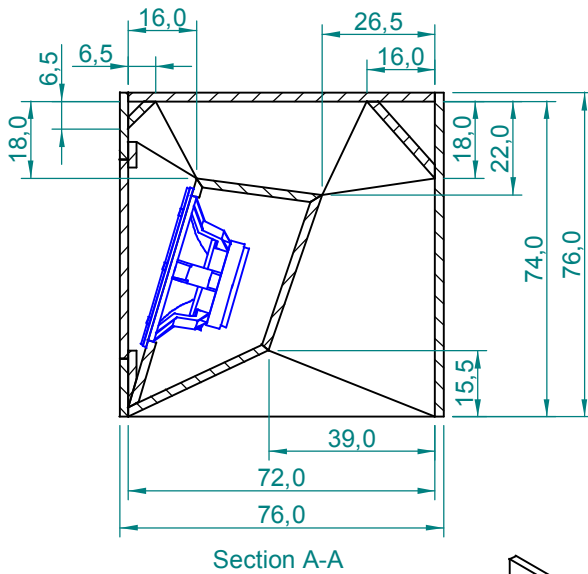
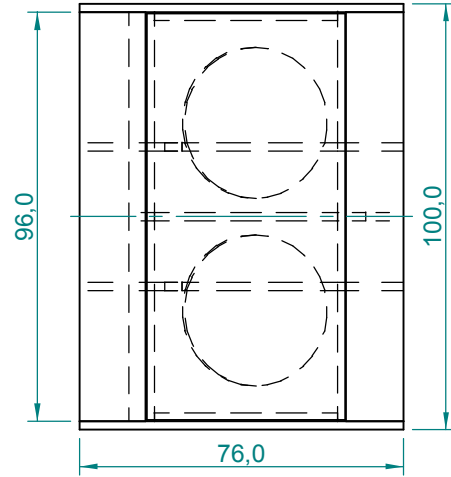
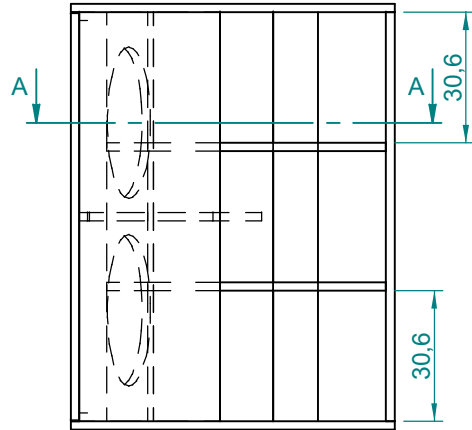


Dimensions in cm.

Projection Angle:

First  

Specifications subject to
change without notice.



Dimensions in cm.

Projection Angle:

First

Specifications subject to change without notice.

08/03 - Rev.: 01 - Page: 1/6

F:\CAIXAS ACÚSTICAS\GRAVES\HB1505D1\HB1505D1\INGLES

EUROPE Address:
SELENIUM EUROPE
Germany
www.seleniumloudspeakers.com

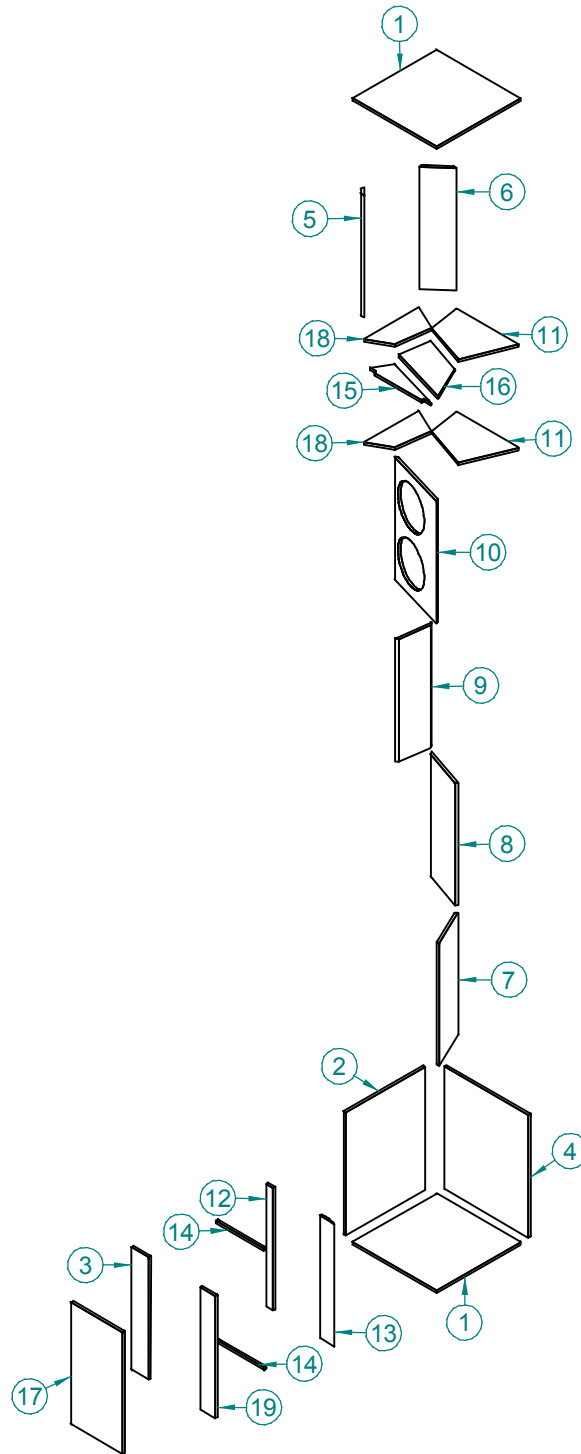
USA Address:
SELENIUM USA
USA
www.seleniumloudspeakers.com

SELENIUM
LOUDSPEAKERS

BRAZIL Address:
ELETRÔNICA SELENIUM S.A.
BR 386 Km 435 / 92.480-000
Nova Santa Rita - RS - Brazil
Fax: +(55) 51 479-1120
www.selenium.com.br

Is a folded horn that features excellent performance in the bass and sub-bass frequency range which can be used from 40 to 200 Hz with maximum efficiency.

Components:
15SW1P subwoofer or
WPU1505 or WPU1507 woofer (2 pieces)



Projection Angle:

First

Specifications subject to change without notice.

08/03 - Rev.: 01 - Page: 2/6

NOTES:

Net internal volume of the 15" low frequency driver chamber: 45 liters (each).

Perimeter of the mouth of the horn: 336,0 centimeters.

Medium length of the folded horn: 147,6 centimeters.

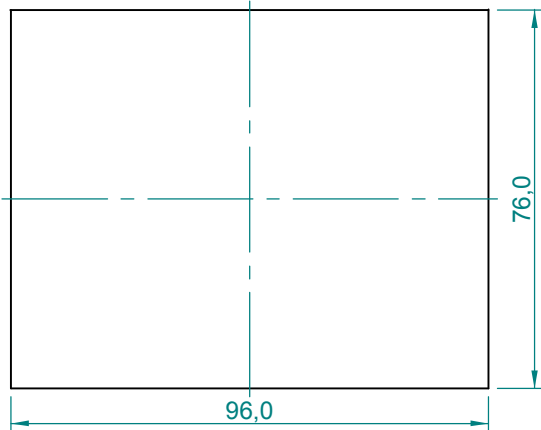
Cut off Frequency:

15" Speaker: Low: 40 Hz.
High: 200 Hz.

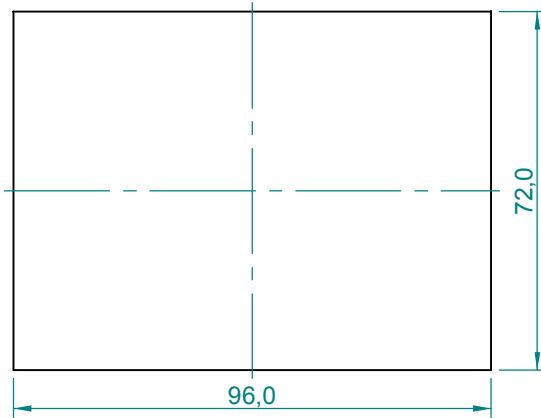
Recommended Crossover: Active, Linkwitz-Riley, 24 dB/oct.

| Item | Qty | Description | Material | Notas |
|------|-----|----------------|---------------|-------|
| 1 | 2 | Top/Botton | Plywood 20 mm | |
| 2 | 1 | Back | Plywood 20 mm | |
| 3 | 1 | Lateral 2 | Plywood 20 mm | |
| 4 | 1 | Lateral 1 | Plywood 20 mm | |
| 5 | 1 | Corner Plate 2 | Plywood 20 mm | |
| 6 | 1 | Corner Plate 1 | Plywood 20 mm | |
| 7 | 1 | Exponential 3 | Plywood 20 mm | |
| 8 | 1 | Exponential 2 | Plywood 20 mm | |
| 9 | 1 | Exponential 1 | Plywood 20 mm | |
| 10 | 1 | Internal Panel | Plywood 20 mm | |
| 11 | 2 | Partition 1 | Plywood 20 mm | |
| 12 | 1 | Frame 1 | Plywood 20 mm | |
| 13 | 1 | Frame 2 | Plywood 20 mm | |
| 14 | 2 | Frame 3 | Plywood 20 mm | |
| 15 | 1 | Partition 2 | Plywood 20 mm | |
| 16 | 1 | Partition 3 | Plywood 20 mm | |
| 17 | 1 | Lateral Panel | Plywood 20 mm | |
| 18 | 2 | Partition 4 | Plywood 20 mm | |
| 19 | 1 | Lateral 3 | Plywood 20 mm | |

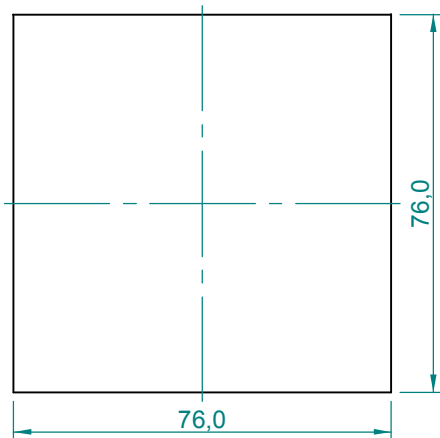
Specifications subject to
change without notice.



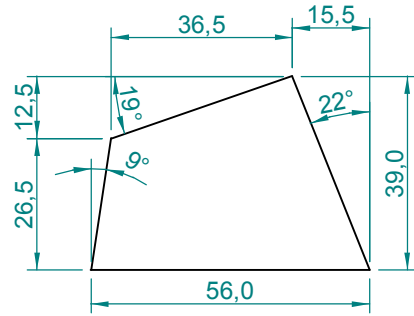
Item 4
Qty: 1 piece



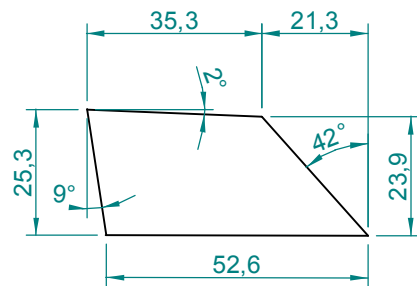
Item 2
Qty: 1 piece



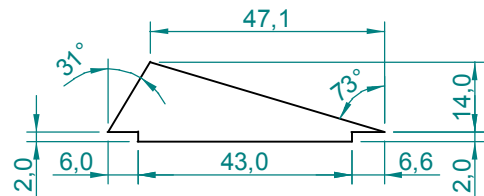
Item 1
Qty: 2 pieces



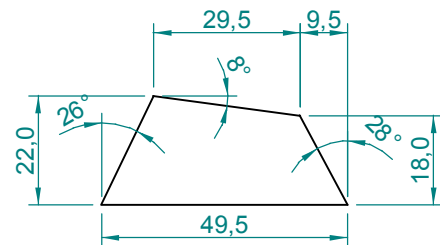
Item 11
Qty: 2 pieces



Item 15
Qty: 1 piece



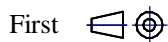
Item 15
Qty: 1 piece



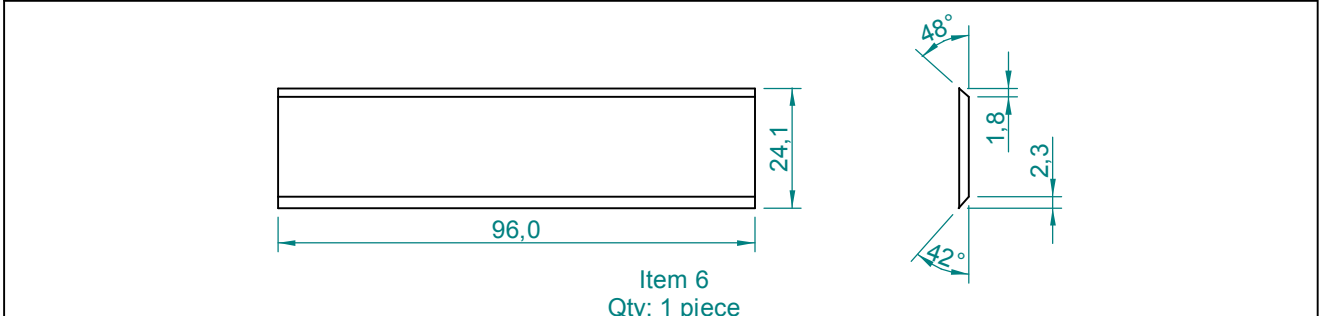
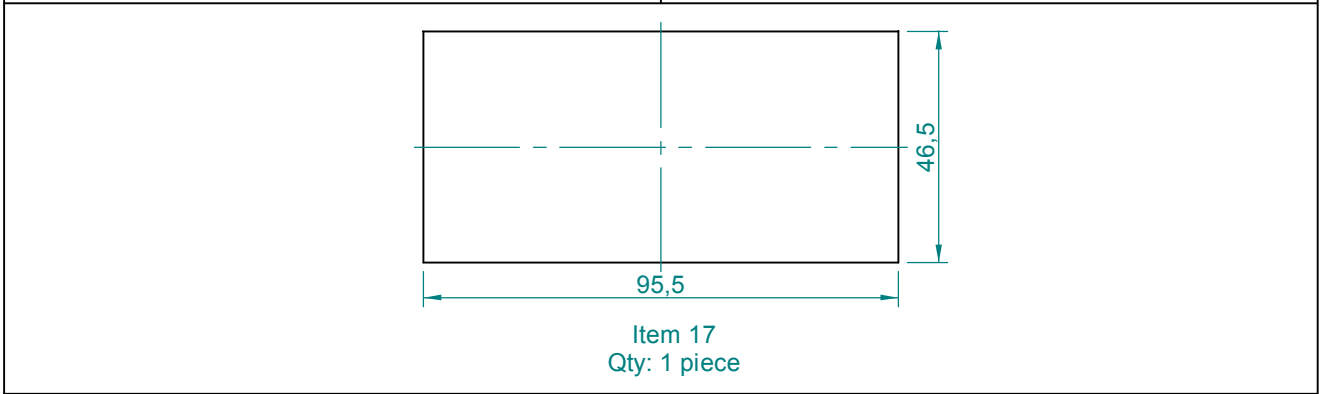
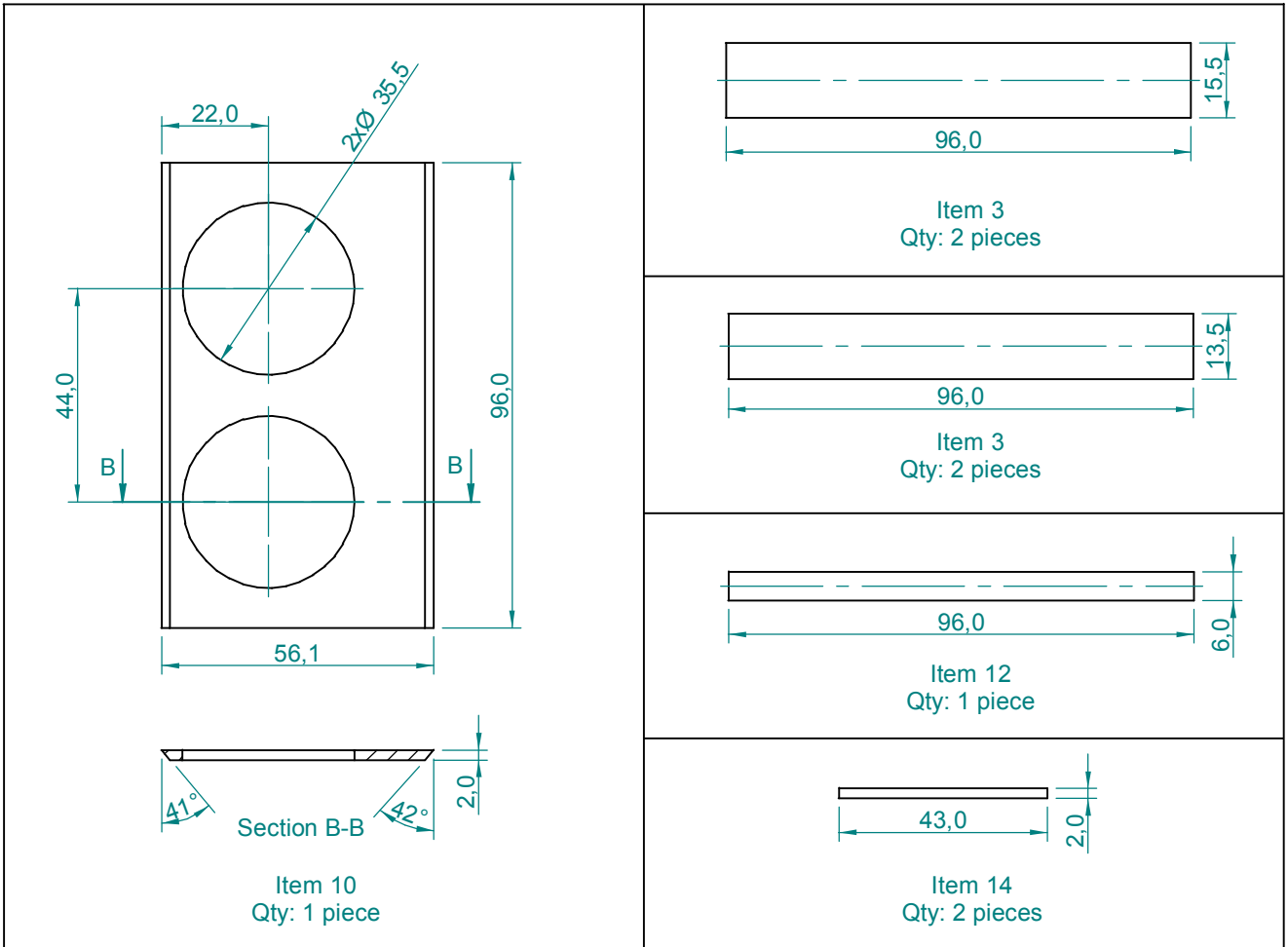
Item 18
Qty: 2 pieces

Dimensions in cm.

Projection Angle:

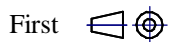


Specifications subject to
change without notice.

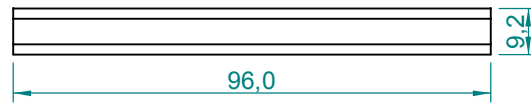


Dimensions in cm.

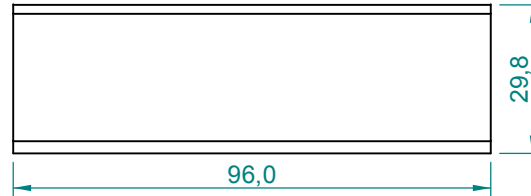
Projection Angle:



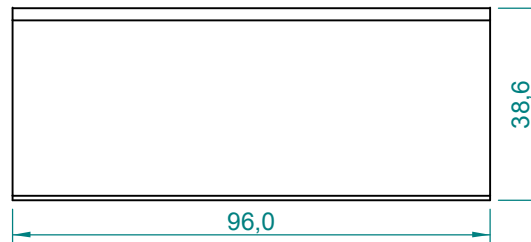
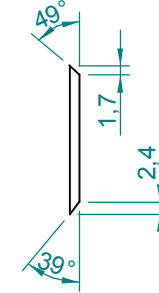
Specifications subject to change without notice.



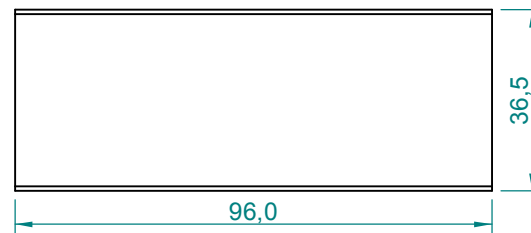
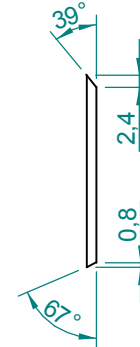
Item 5
Qty: 1 piece



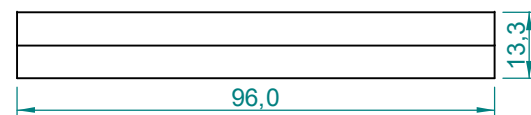
Item 9
Qty: 1 piece



Item 8
Qty: 1 piece



Item 7
Qty: 1 piece

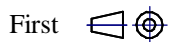


Item 13
Qty: 1 piece

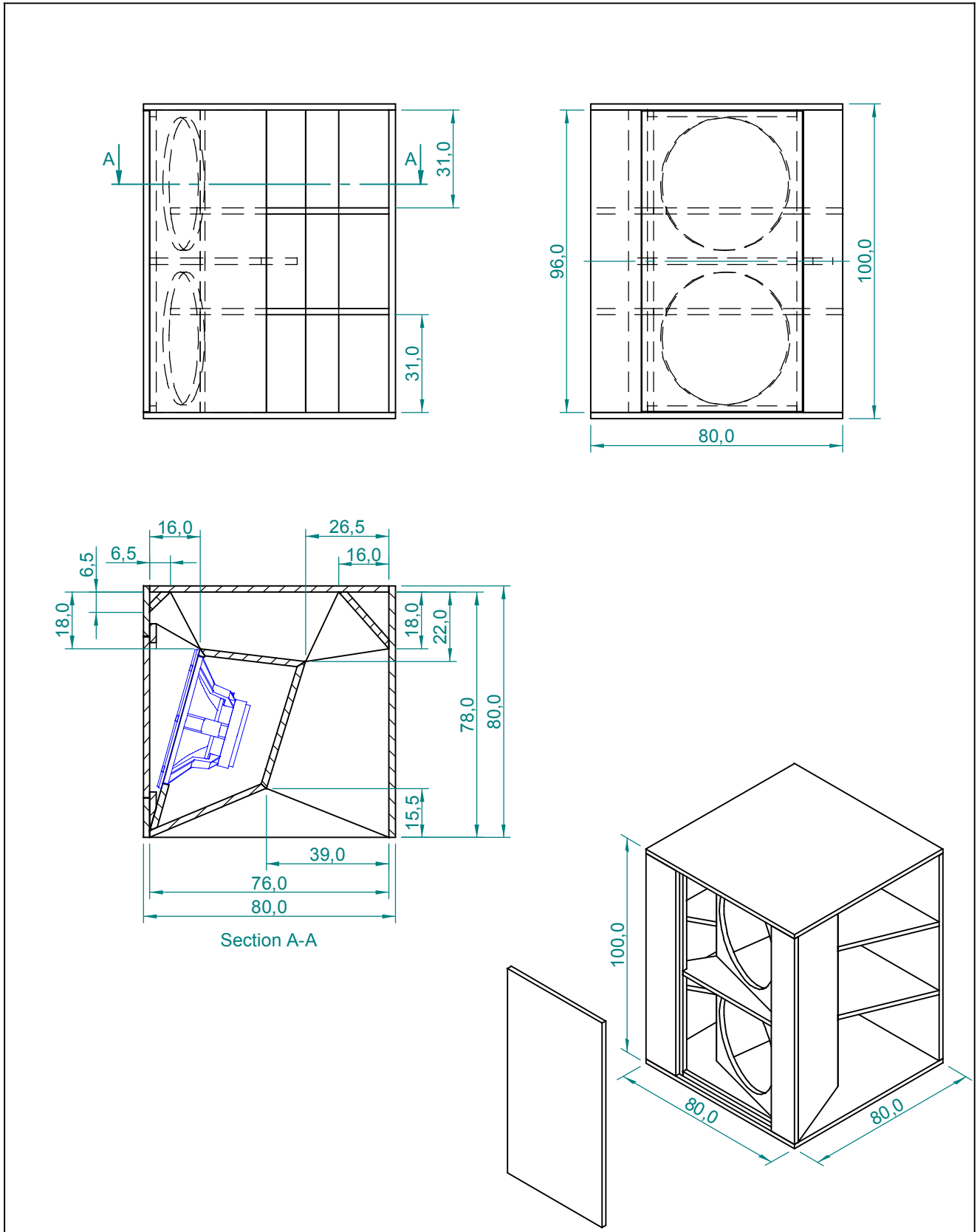


Dimensions in cm.

Projection Angle:



Specifications subject to
change without notice.



Dimensions in cm.

Projection Angle:

First

Specifications subject to change without notice.

08/03 - Rev.: 01 - Page: 1/6

F:\CAIXAS ACÚSTICAS\GRAVES\HB1805C1\HB1805C1\INGLES

EUROPE Address:
SELENIUM EUROPE
Germany
www.seleniumloudspeakers.com

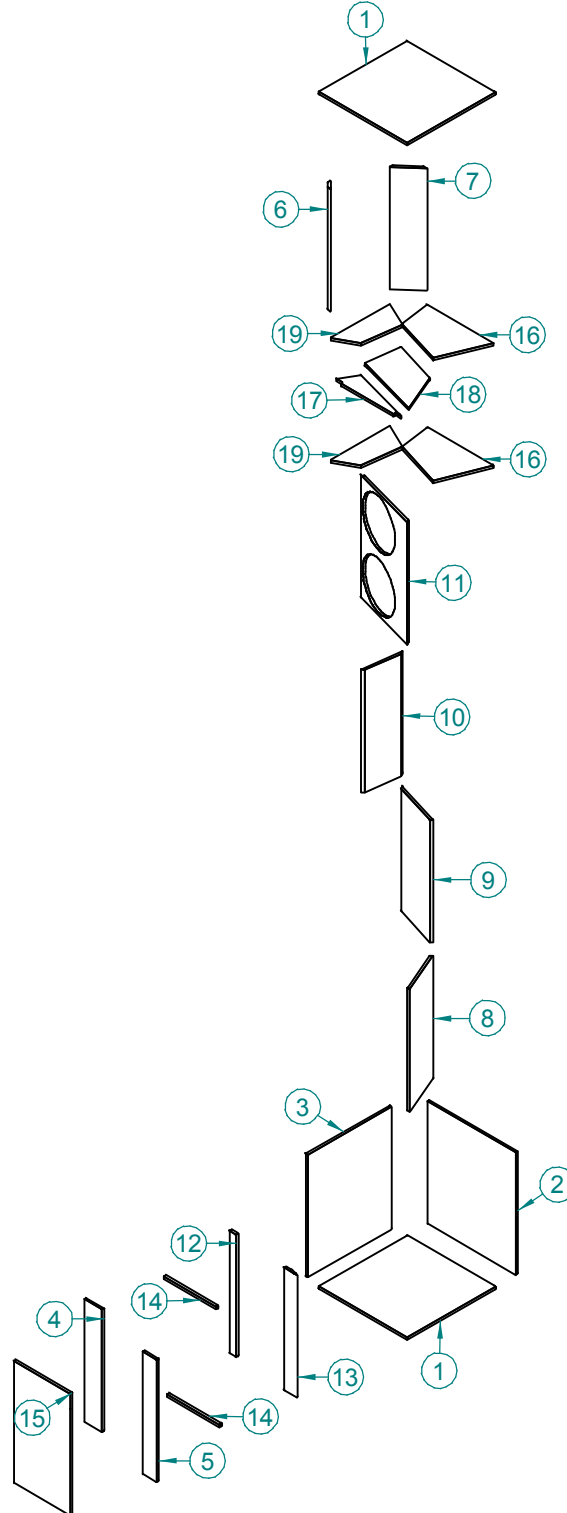
USA Address:
SELENIUM USA
USA
www.seleniumloudspeakers.com

SELENIUM
LOUDSPEAKERS

BRAZIL Address:
ELETRÔNICA SELENIUM S.A.
BR 386 Km 435 / 92.480-000
Nova Santa Rita - RS - Brazil
Fax: +(55) 51 479-1120
www.selenium.com.br

Is a folded horn that features excellent performance in the bass and sub-bass frequency range which can be used from 40 to 200 Hz with maximum efficiency.

Components:
18SW1P or 18SW2P subwoofer or
WPU1805 or WPU1807 woofer (2 pieces)



Projection Angle:

First

Specifications subject to change without notice.

08/03 - Rev.: 01 - Page: 2/6

NOTES:

Net internal volume of the 18" low frequency driver chamber: 42 liters (each).

Perimeter of the mouth of the horn: 344,0 centimeters.

Medium length of the folded horn: 159,4 centimeters.

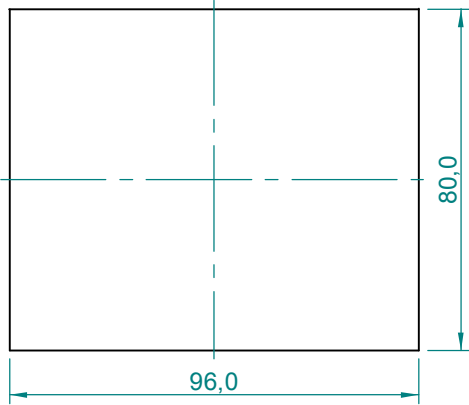
Cut off Frequency:

18" Speaker: Low: 40 Hz.
High: 200 Hz.

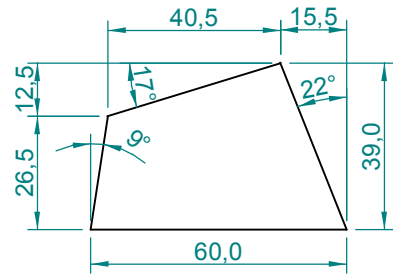
Reccomended Crossover: Active, Linkwitz-Riley, 24 dB/oct.

| Item | Qty | Description | Material | Notes |
|------|-----|----------------|---------------|-------|
| 1 | 2 | Top/Botton | Plywood 20 mm | |
| 2 | 1 | Lateral 1 | Plywood 20 mm | |
| 3 | 1 | Back | Plywood 20 mm | |
| 4 | 1 | Lateral 2 | Plywood 20 mm | |
| 5 | 1 | Lateral 3 | Plywood 20 mm | |
| 6 | 1 | Corner Plate 2 | Plywood 20 mm | |
| 7 | 1 | Corner Plate 1 | Plywood 20 mm | |
| 8 | 1 | Exponential 1 | Plywood 20 mm | |
| 9 | 1 | Exponential 2 | Plywood 20 mm | |
| 10 | 1 | Exponential 3 | Plywood 20 mm | |
| 11 | 1 | Internal Panel | Plywood 20 mm | |
| 12 | 1 | Frame 1 | Plywood 20 mm | |
| 13 | 1 | Frame 2 | Plywood 20 mm | |
| 14 | 2 | Frame 3 | Plywood 20 mm | |
| 15 | 1 | Lateral Panel | Plywood 20 mm | |
| 16 | 2 | Partition 1 | Plywood 20 mm | |
| 17 | 1 | Partition 2 | Plywood 20 mm | |
| 18 | 1 | Partition 3 | Plywood 20 mm | |
| 19 | 2 | Partition 4 | Plywood 20 mm | |

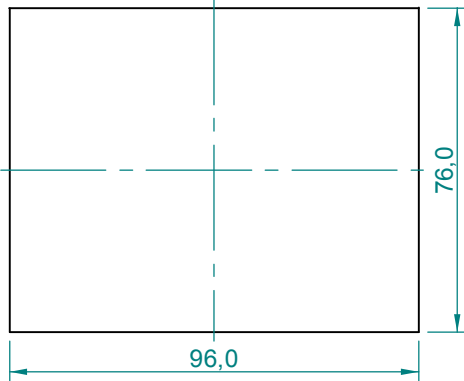
Specifications subject to
change without notice.



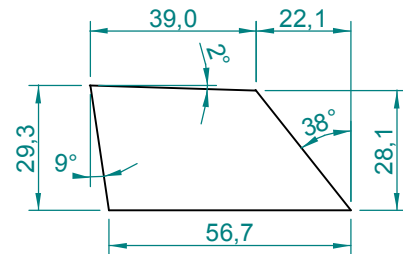
Item 2
Qty: 1 piece



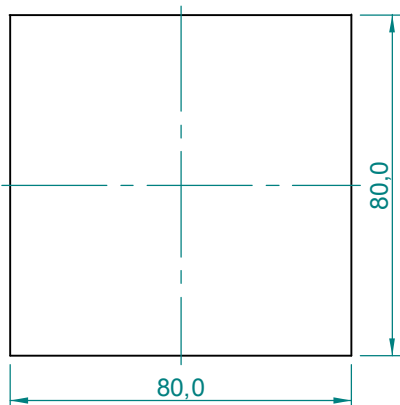
Item 16
Qty: 2 pieces



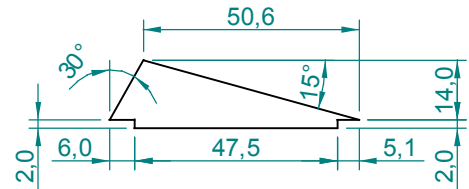
Item 3
Qty: 1 piece



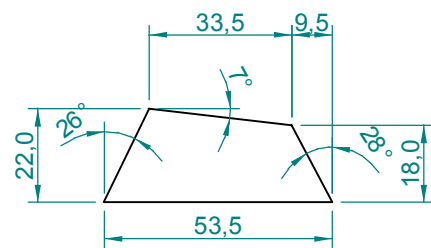
Item 18
Qty: 1 piece



Item 1
Qty: 2 pieces



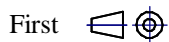
Item 17
Qty: 1 piece



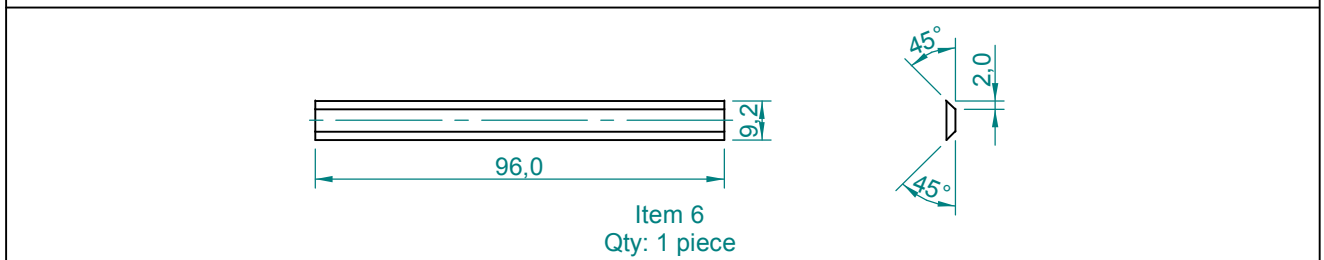
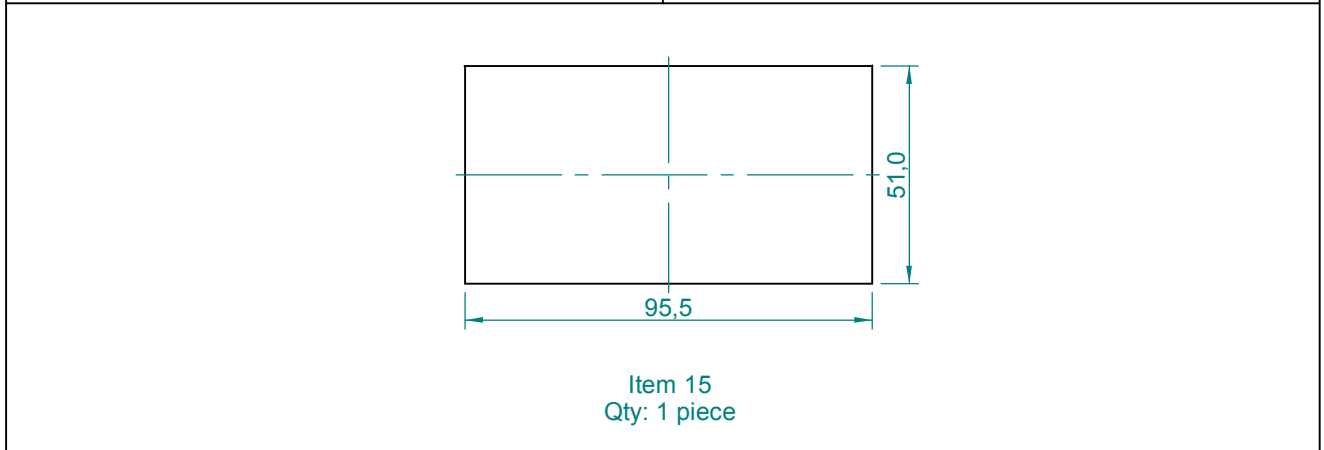
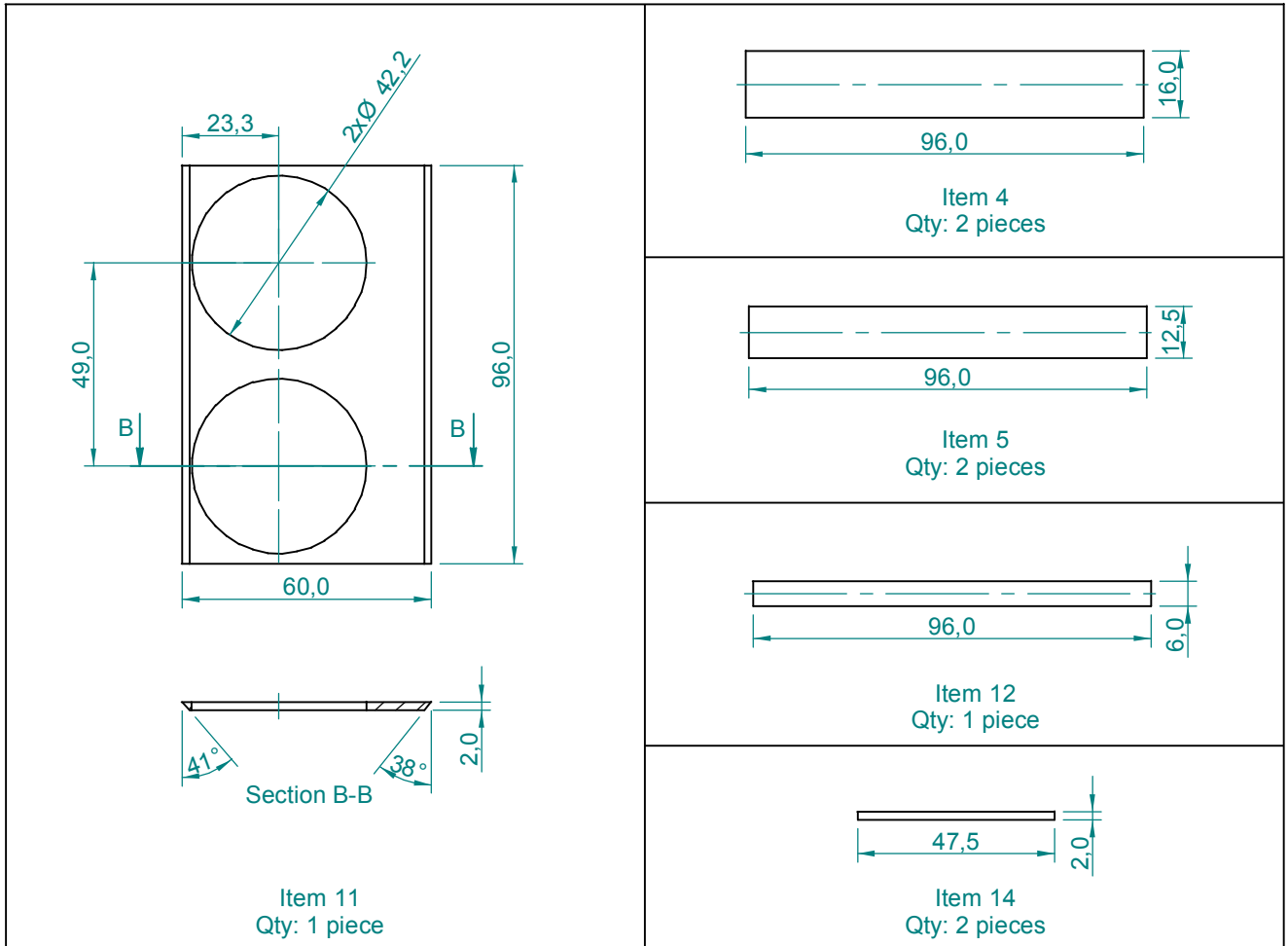
Item 19
Qty: 2 pieces

Dimensions in cm.

Projection Angle:

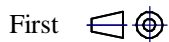


Specifications subject to
change without notice.

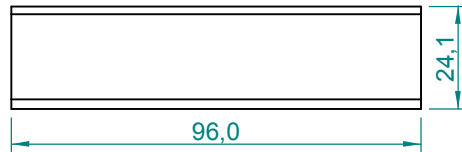


Dimensions in cm.

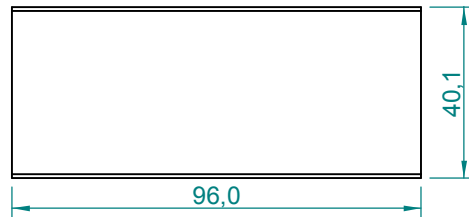
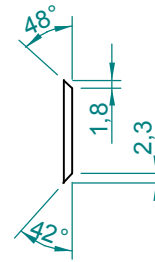
Projection Angle:



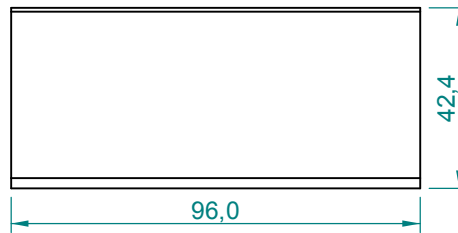
Specifications subject to change without notice.



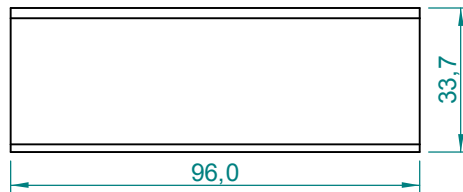
Item 7
Qty: 1 piece



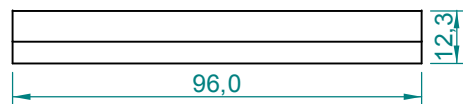
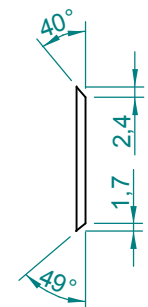
Item 10
Qty: 1 piece



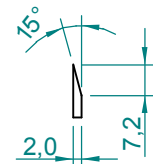
Item 9
Qty: 1 piece



Item 8
Qty: 1 piece

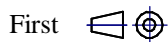


Item 13
Qty: 1 piece

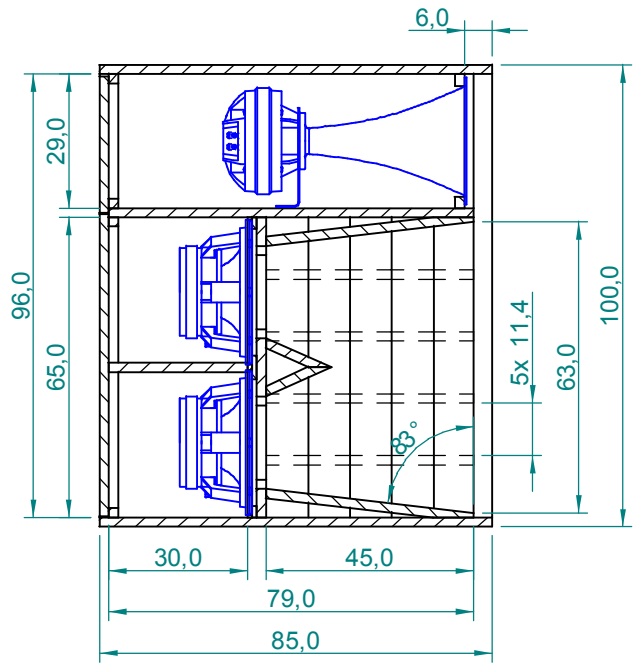
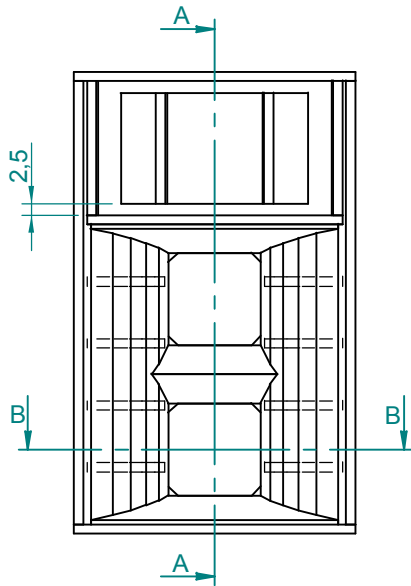


Dimensions in cm.

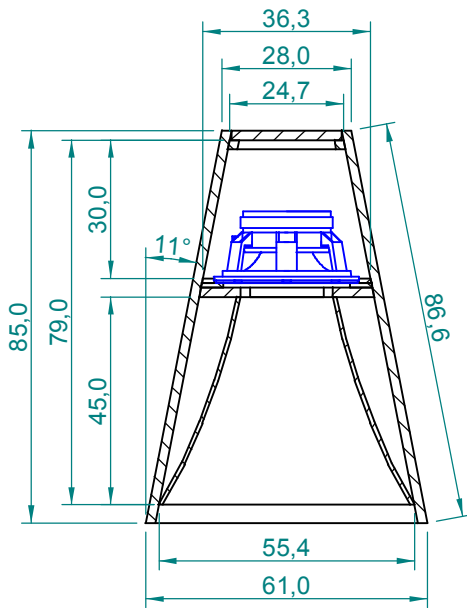
Projection Angle:



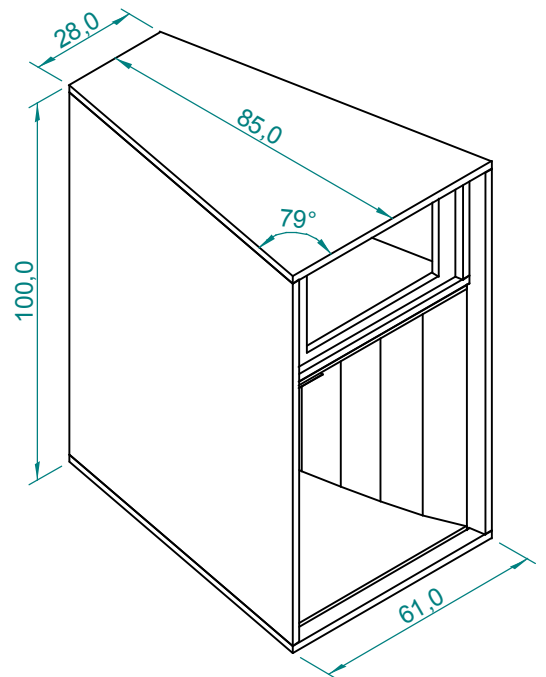
Specifications subject to
change without notice.



Section A-A



Section B-B



Dimensions in cm.

Projection Angle:

First

Specifications subject to change without notice.

03/03 - Rev.: 01 - Page: 1/6

F:\CAIXAS ACÚSTICAS\PAS\PAS4\PAS4MA1\PAS4MA1INGLES

EUROPE Address:
SELENIUM EUROPE
Germany
www.seleniumloudspeakers.com

USA Address:
SELENIUM USA
USA
www.seleniumloudspeakers.com

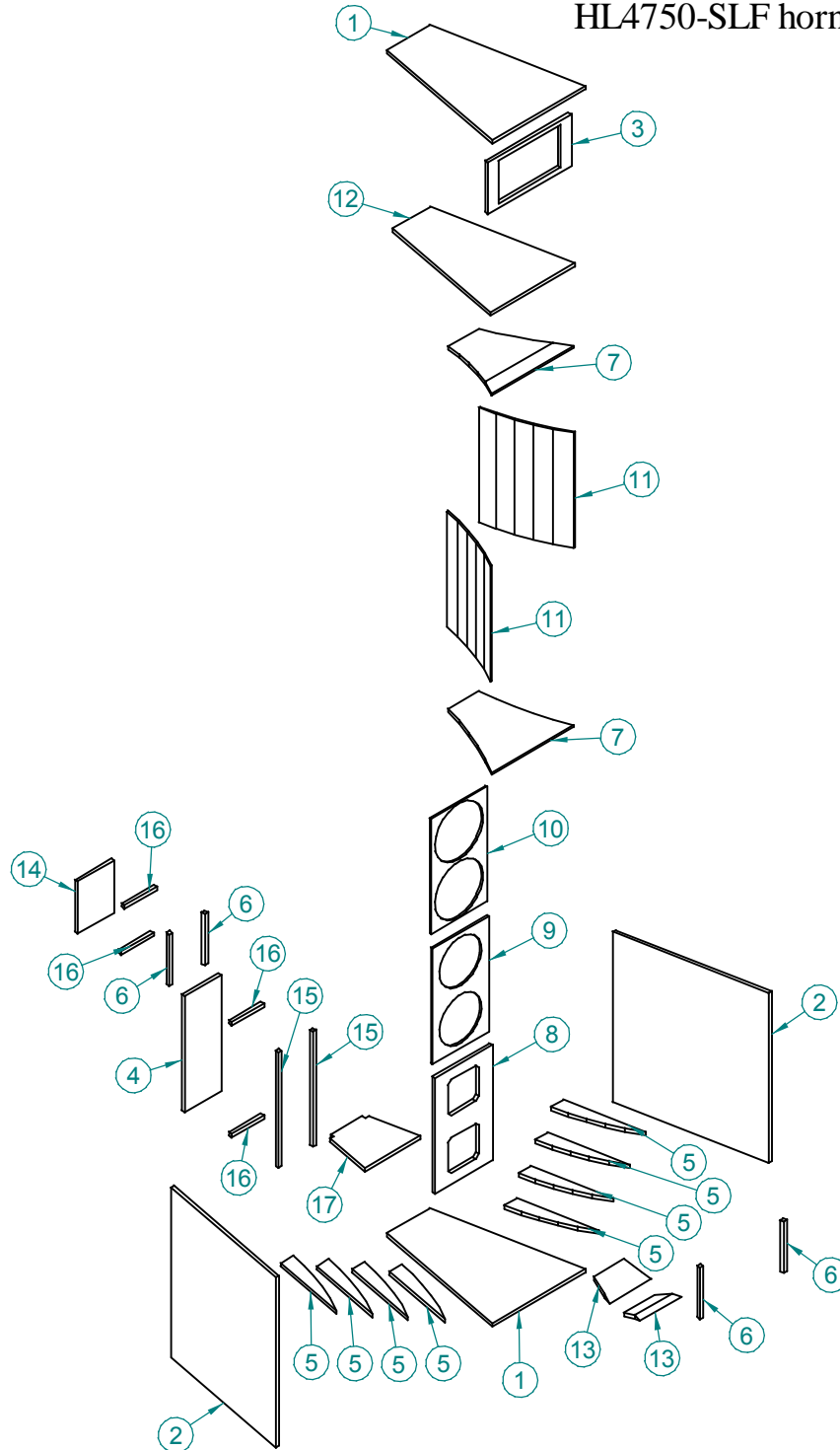
SELENIUM
LOUDSPEAKERS

BRAZIL Address:
ELETRÔNICA SELENIUM S.A.
BR 386 Km 435 / 92.480-000
Nova Santa Rita - RS - Brazil
Fax: +(55) 51 479-1120
www.selenium.com.br

Trapezoidal cabinet, two way, horn type, for use in PA systems, with two 12" mid-bass and one titanium compression driver with horn.

Components:

- WPU1206 or 12MB2P mid-bass (2 pieces)
- D4400Ti or D408Ti or D3300Ti DPD or D3305Ti DPD driver (1 piece)
- HL4750-SLF horn (1 piece)



Projection Angle:



Specifications subject to change without notice.

03/03 - Rev.: 01 - Page: 2/6

NOTES:

Cut off Frequency:

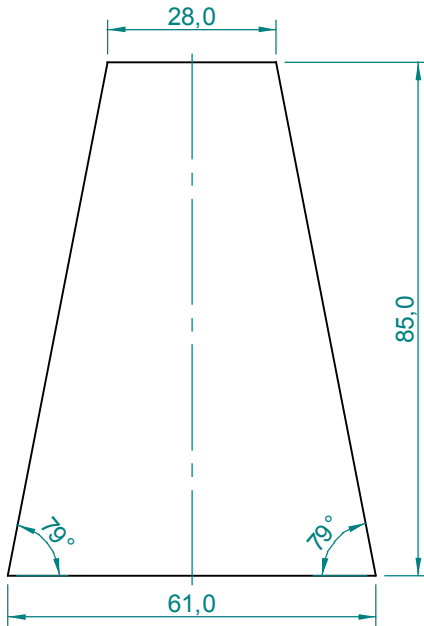
12" Speaker: Low: 200 Hz.
High: 1.200 Hz.

Driver: High: 1.200 Hz.

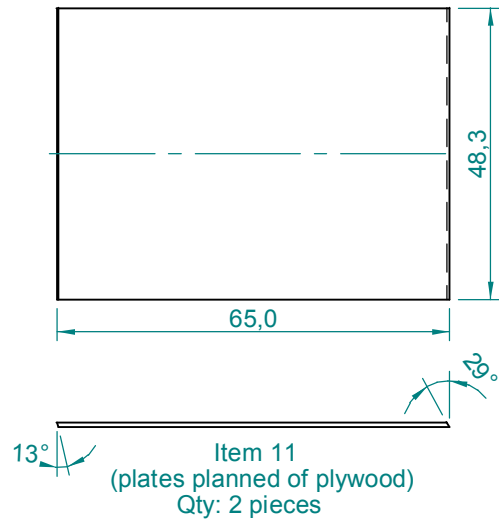
Recommended Crossover: Active, Linkwitz-Riley, 24 dB/oct.

| Item | Qty | Description | Material | Notes |
|------|-----|---------------------------|-------------------|-------|
| 1 | 2 | Top/Bottom | Plywood 20 mm | |
| 2 | 2 | Lateral | Plywood 20 mm | |
| 3 | 1 | Panel 1 | Plywood 20 mm | |
| 4 | 1 | Rear Panel 1 | Plywood 20 mm | |
| 5 | 8 | Reinforcement Exponential | Plywood 20 mm | |
| 6 | 4 | Frame 1 | Plywood 20 mm | |
| 7 | 2 | Ramp | Plywood 20 mm | |
| 8 | 1 | Panel 2 | Plywood 20 mm | |
| 9 | 1 | Panel 3 | Plywood 10 mm | |
| 10 | 1 | Panel 4 | Plywood 10 mm | |
| 11 | 2 | Exponential | Plywood 4 mm (2x) | |
| 12 | 1 | Partition 1 | Plywood 20 mm | |
| 13 | 2 | Wedge | Plywood 20 mm | |
| 14 | 1 | Rear Panel 2 | Plywood 20 mm | |
| 15 | 2 | Frame 3 | Plywood 20 mm | |
| 16 | 4 | Frame 4 | Plywood 20 mm | |
| 17 | 1 | Partition 2 | Plywood 20 mm | |

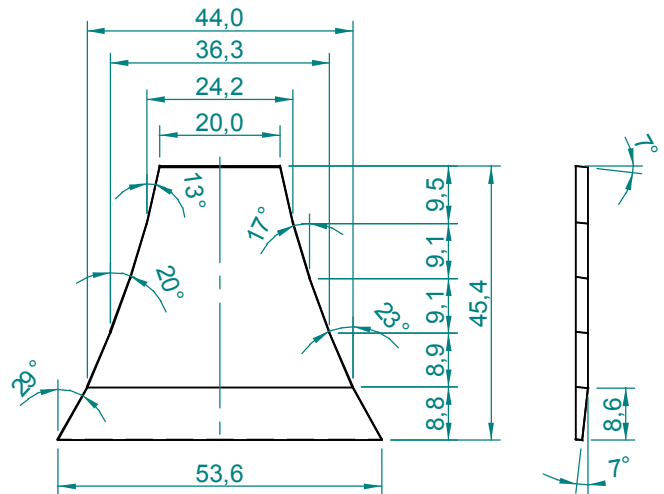
Specifications subject to
change without notice.



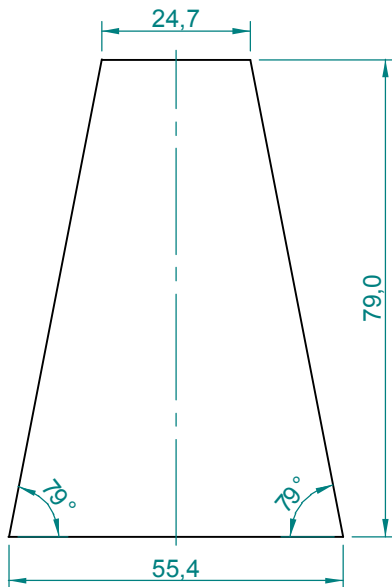
Item 1
Qty: 2 pieces



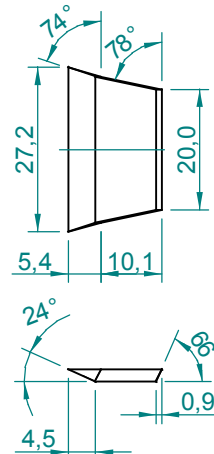
Item 11
(plates planned of plywood)
Qty: 2 pieces



Item 7
Qty: 2 pieces



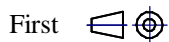
Item 12
Qty: 1 piece



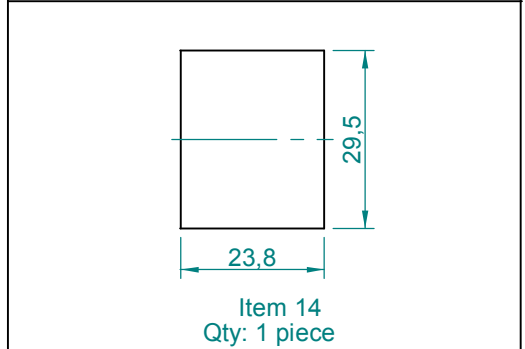
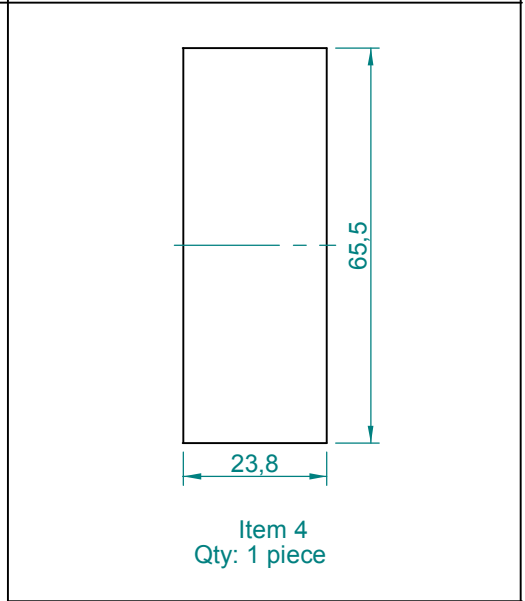
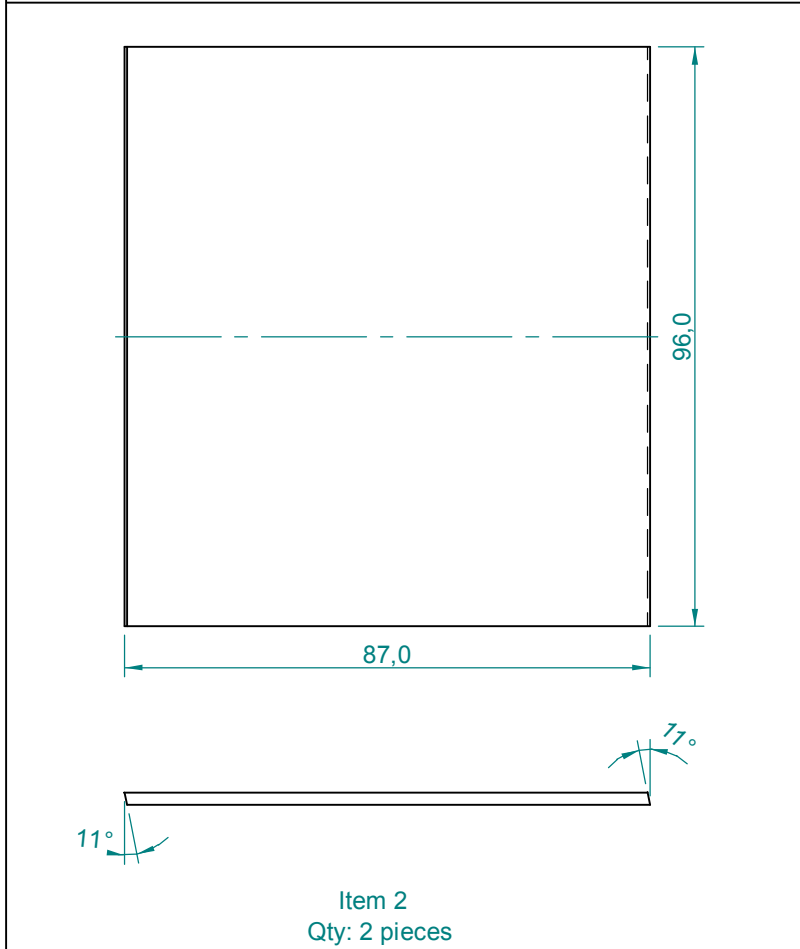
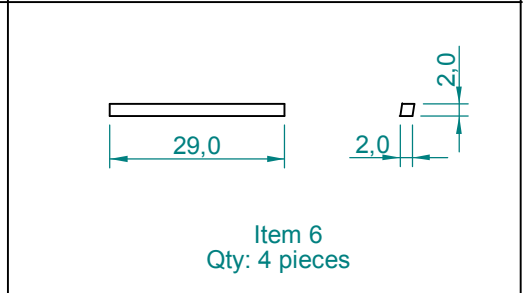
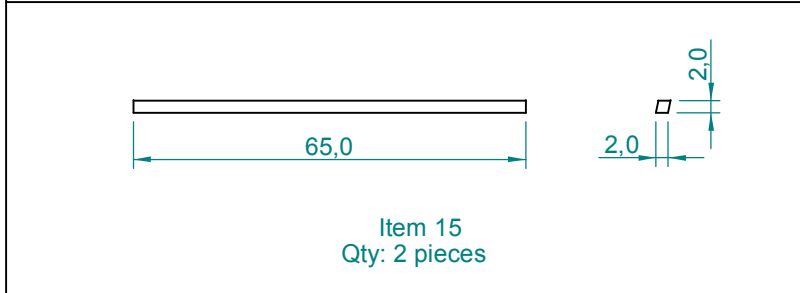
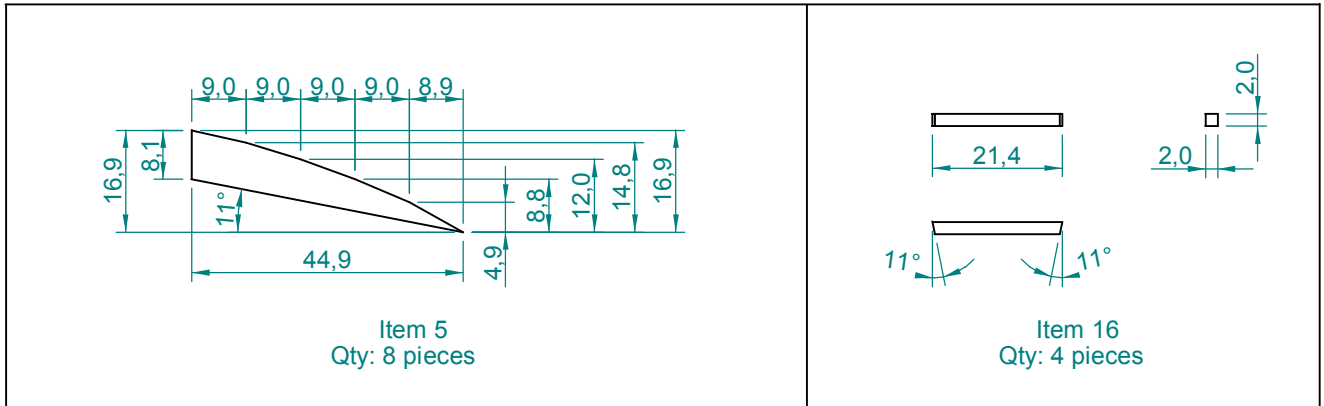
Item 13
Qty: 2 pieces

Dimensions in cm.

Projection Angle:

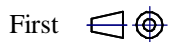


Specifications subject to
change without notice.

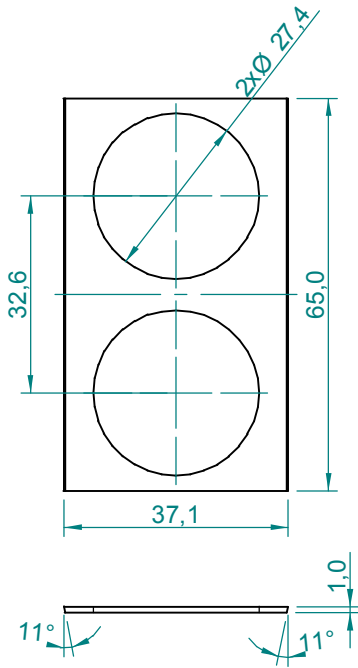


Dimensions in cm.

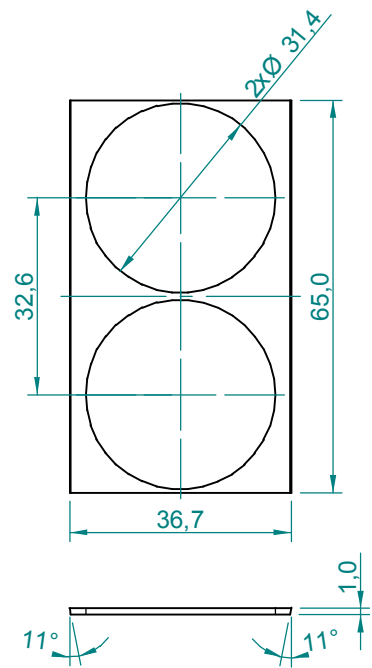
Projection Angle:



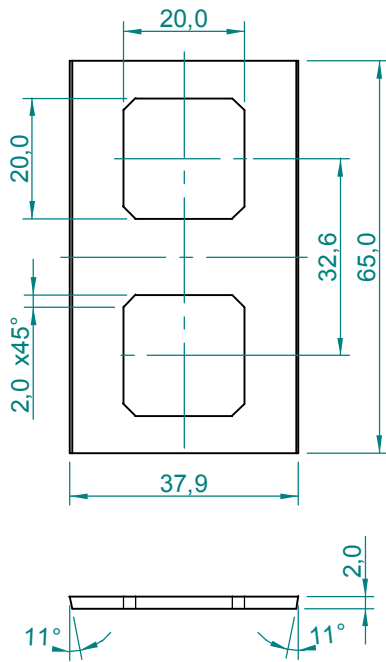
Specifications subject to
change without notice.



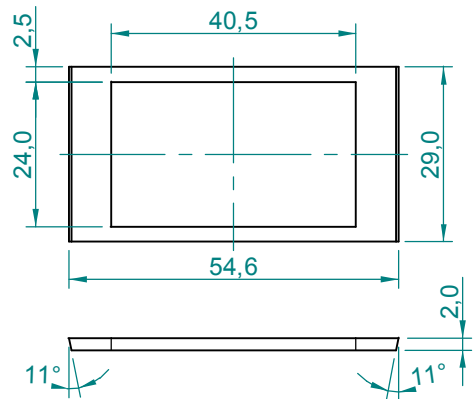
Item 9
Qty: 1 piece



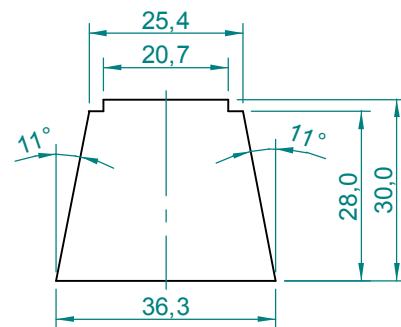
Item 10
Qty: 1 piece



Item 8
Qty: 1 piece



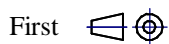
Item 3
Qty: 1 piece



Item 17
Qty: 1 piece

Dimensions in cm.

Projection Angle:



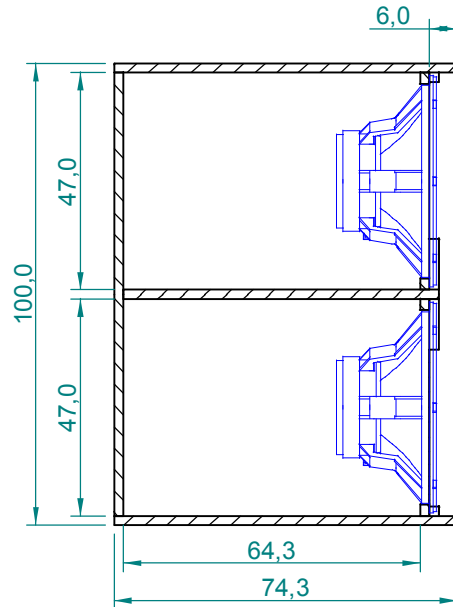
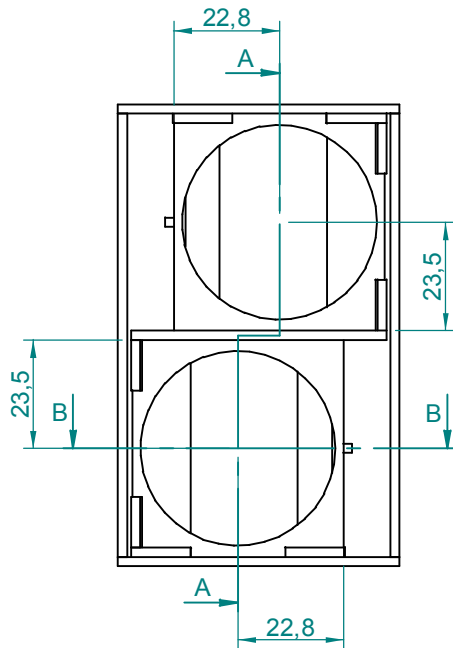
Specifications subject to
change without notice.

03/03 - Rev.: 01 - Page: 6/6

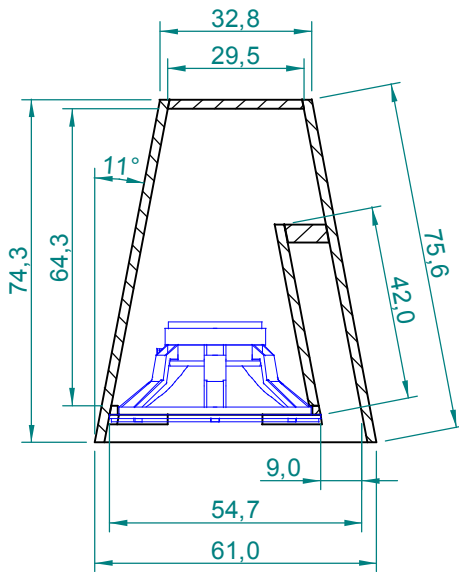
F:\CAIXAS ACÚSTICAS\PAS\PAS4\PAS4MA1\PAS4MA1INGLES

EUROPE Address:
SELENIUM EUROPE
Germany
www.seleniumloudspeakers.com

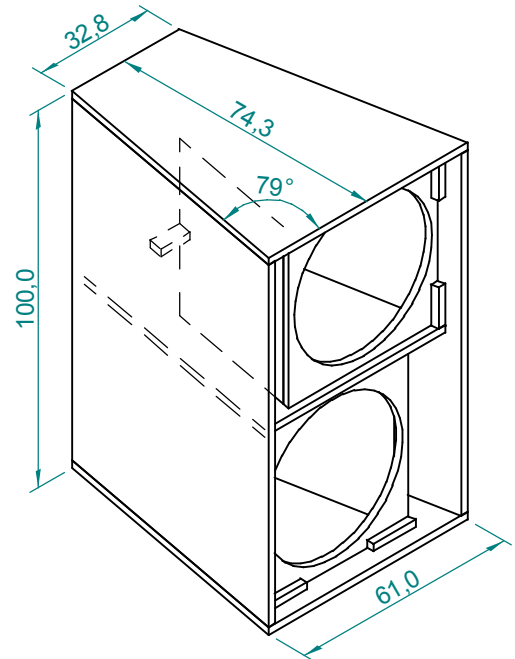
USA Address:
SELENIUM USA
USA
www.seleniumloudspeakers.com



Section A-A



Section B-B



Dimensions in cm.

Projection Angle:

First

Specifications subject to change without notice.

03/03 - Rev.: 01 - Page: 1/5

F:\CAIXAS ACÚSTICAS\PAS\PASS\PAS5G1\PAS5G1INGLES

EUROPE Address:
SELENIUM EUROPE
Germany
www.seleniumloudspeakers.com

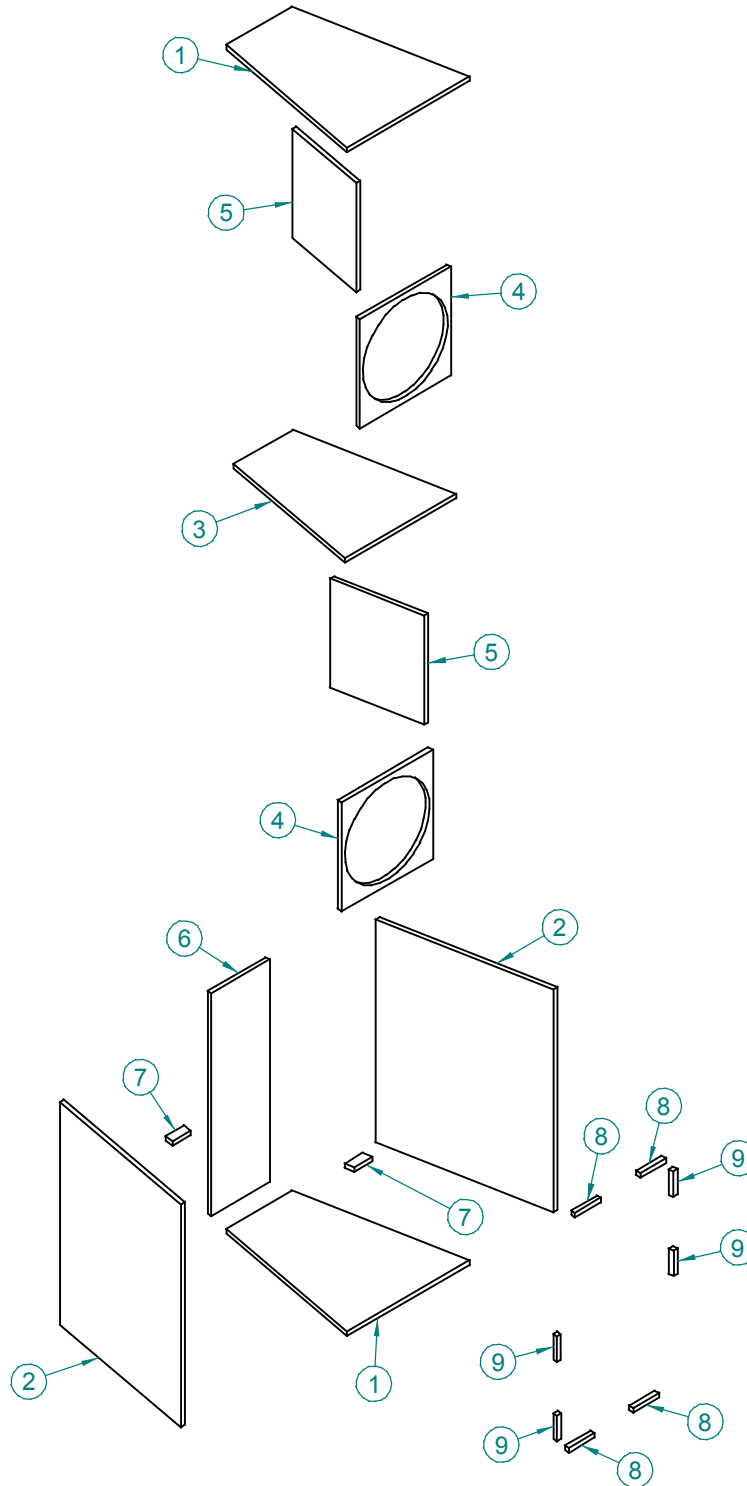
USA Address:
SELENIUM USA
USA
www.seleniumloudspeakers.com

SELENIUM
LOUDSPEAKERS

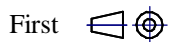
BRAZIL Address:
ELETRÔNICA SELENIUM S.A.
BR 386 Km 435 / 92.480-000
Nova Santa Rita - RS - Brazil
Fax: +(55) 51 479-1120
www.selenium.com.br

Low frequency cabinet, trapezoidal shape, bass-reflex type for use in PA systems with two 18" low frequency driver.

Components:
18SW1P or 18SW2P subwoofer or
WPU1805 or WPU1807 woofer (2 pieces)



Projection Angle:



Specifications subject to change without notice.

03/03 - Rev.: 01 - Page: 2/5

NOTES:

Net internal volume of the 18" low frequency driver chamber: 97 liters (each).

Cut off Frequency:

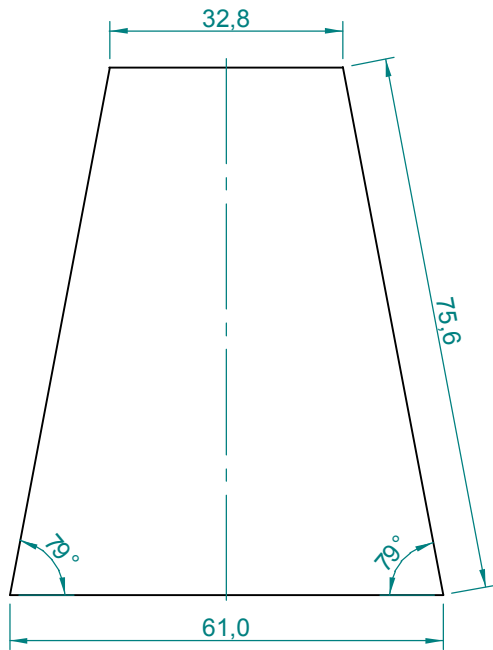
18" Speaker: Low: 40 Hz.

High: should match the low cut off frequency of the next channel enclosure.

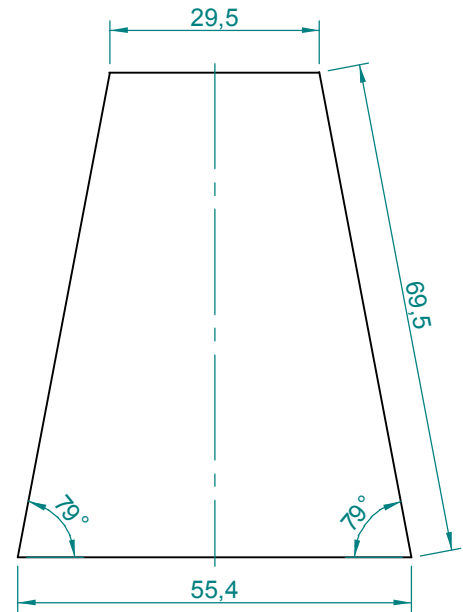
Recommended Crossover: Active, Linkwitz-Riley, 24 dB/oct.

| Item | Qty | Description | Material | Notes |
|------|-----|---------------------------|---------------|-------|
| 1 | 2 | Basis/Cover | Plywood 20 mm | |
| 2 | 2 | Lateral | Plywood 20 mm | |
| 3 | 1 | Partition | Plywood 20 mm | |
| 4 | 2 | Panel | Plywood 20 mm | |
| 5 | 2 | Wall of the Duct | Plywood 20 mm | |
| 6 | 1 | Back | Plywood 20 mm | |
| 7 | 2 | Reinforcement of the Duct | Plywood 20 mm | |
| 8 | 4 | Frame 1 | Plywood 20 mm | |
| 9 | 4 | Frame 2 | Plywood 20 mm | |

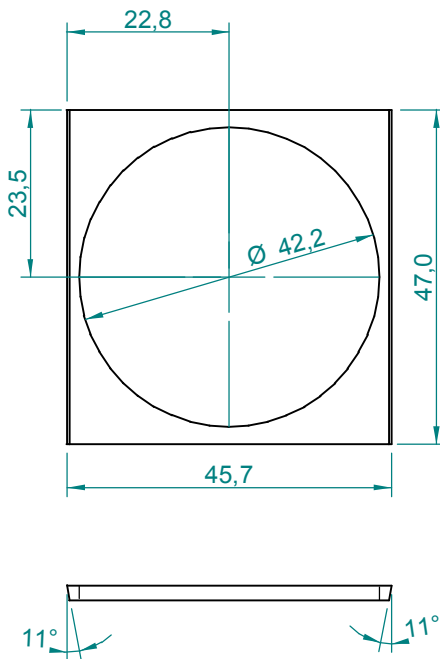
Specifications subject to
change without notice.



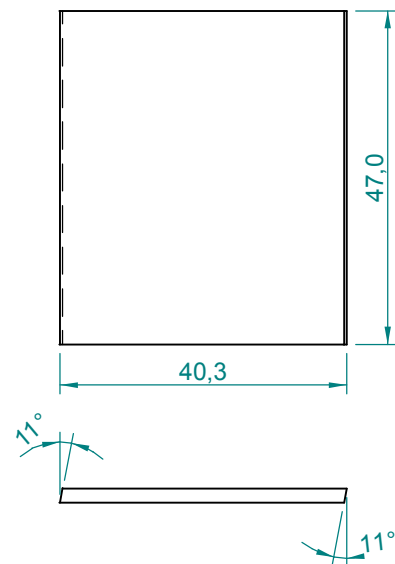
Item 1
Qtde: 2 peças



Item 3
Qtde: 1 peça



Item 4
Qty: 2 pieces



Item 5
Qty: 2 pieces

Dimensions in cm.

Projection Angle:

First

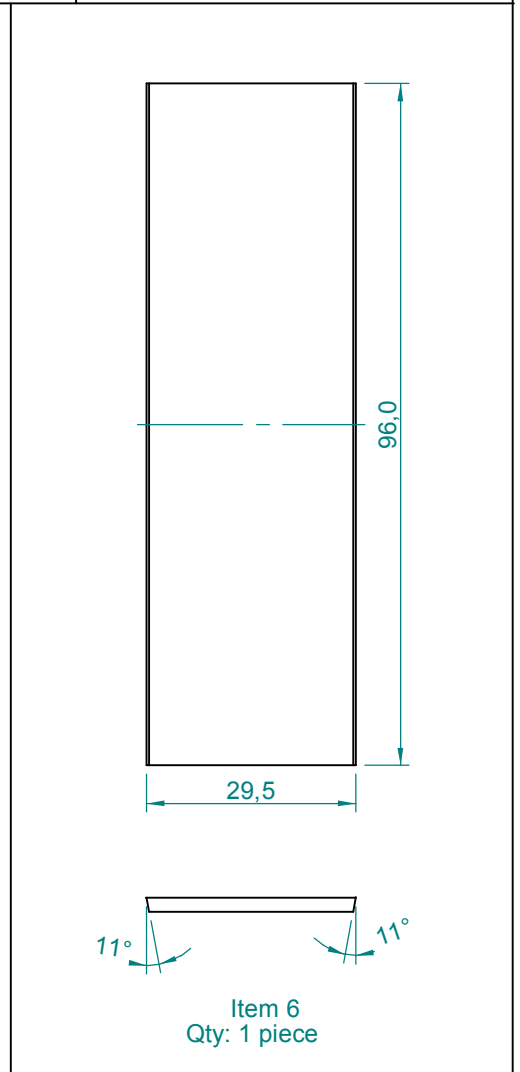
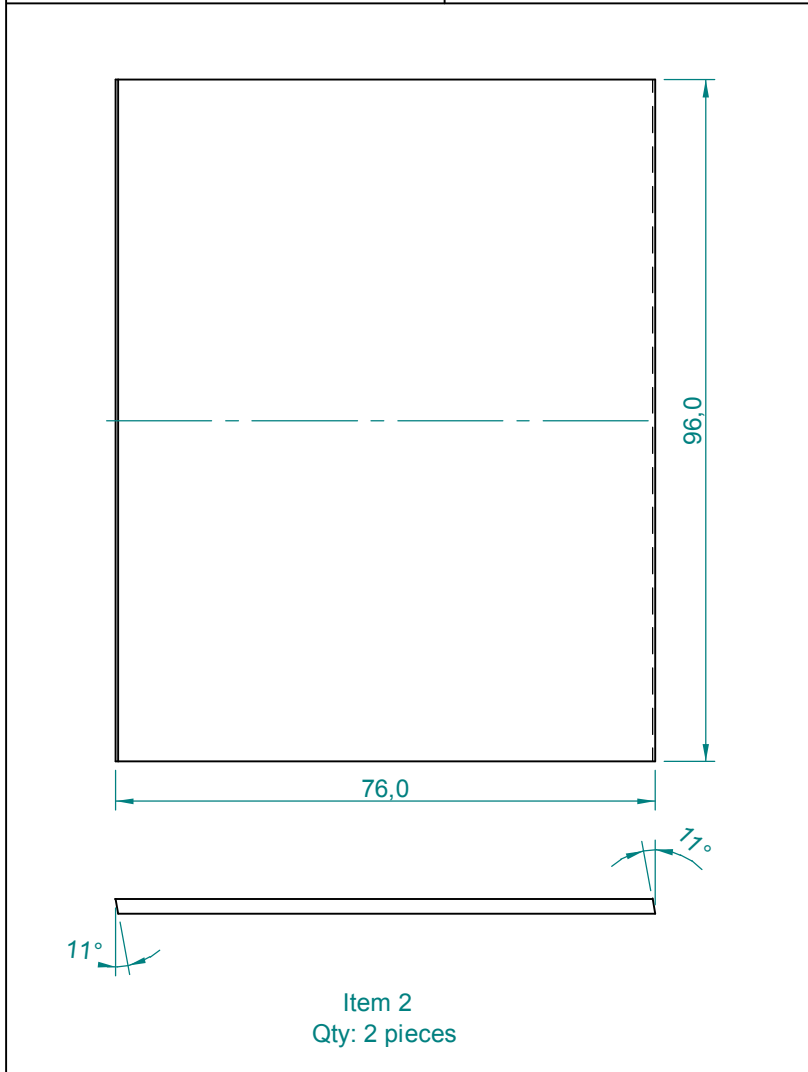
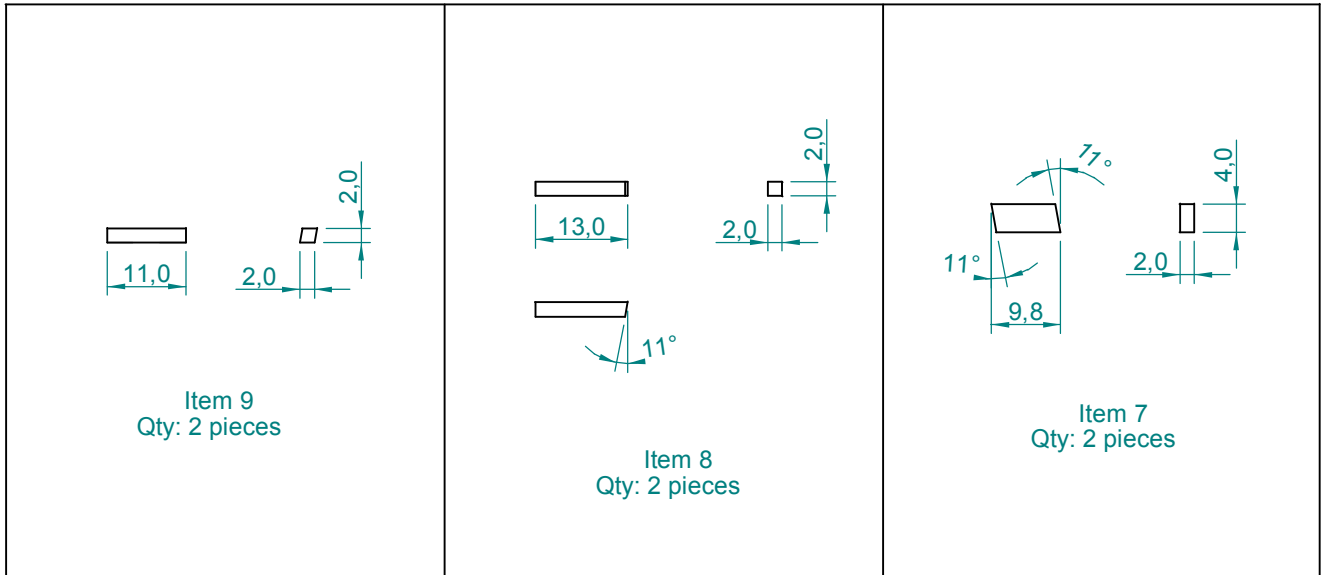
Specifications subject to
change without notice.

03/03 - Rev.: 01 - Page: 4/5

F:\CAIXAS ACÚSTICAS\PAS\PAS5\PAS5G1\PAS5G1ANGLES

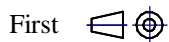
EUROPE Address:
SELENIUM EUROPE
Germany
www.seleniumloudspeakers.com

USA Address:
SELENIUM USA
USA
www.seleniumloudspeakers.com

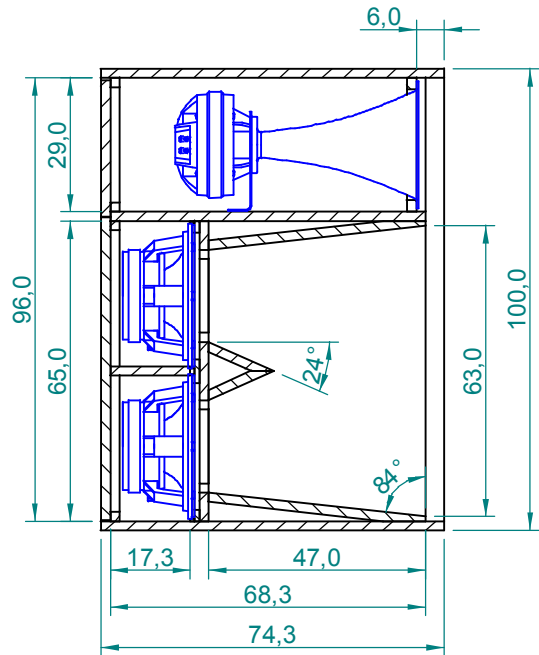
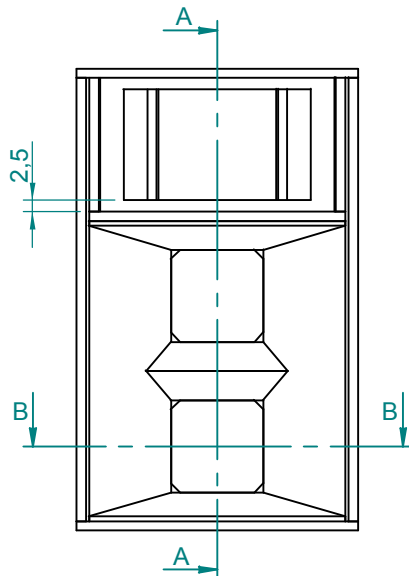


Dimensions in cm.

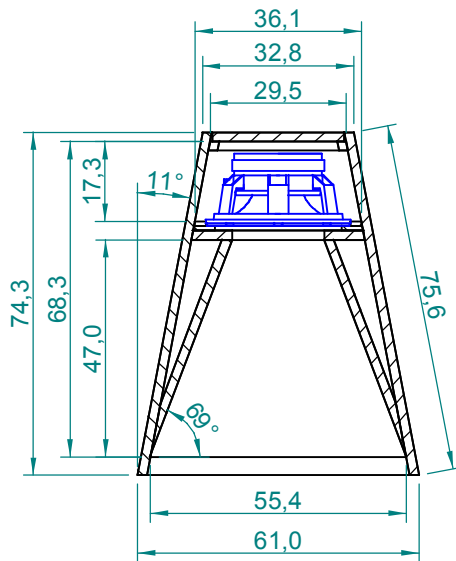
Projection Angle:



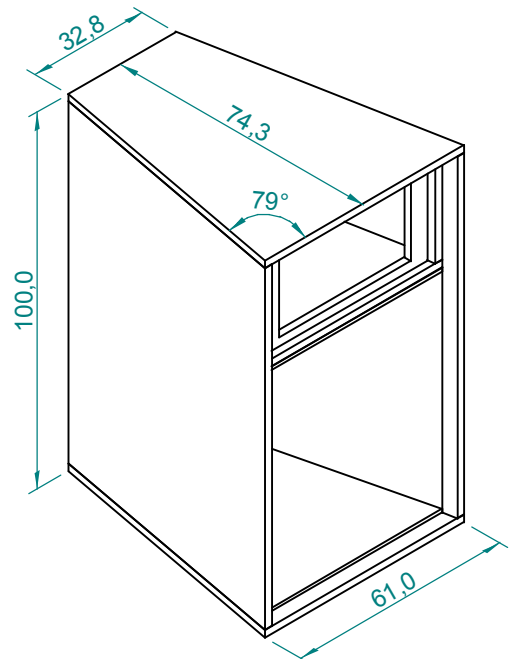
Specifications subject to
change without notice.



Section A-A



Section B-B



Dimensions in cm.

Projection Angle:

First

Specifications subject to change without notice.

03/03 - Rev.: 01 - Page: 1/6

F:\CAIXAS ACÚSTICAS\PAS\PAS5\PAS5MA1\PAS5MA1\INGLES

EUROPE Address:
SELENIUM EUROPE
Germany
www.seleniumloudspeakers.com

USA Address:
SELENIUM USA
www.seleniumloudspeakers.com

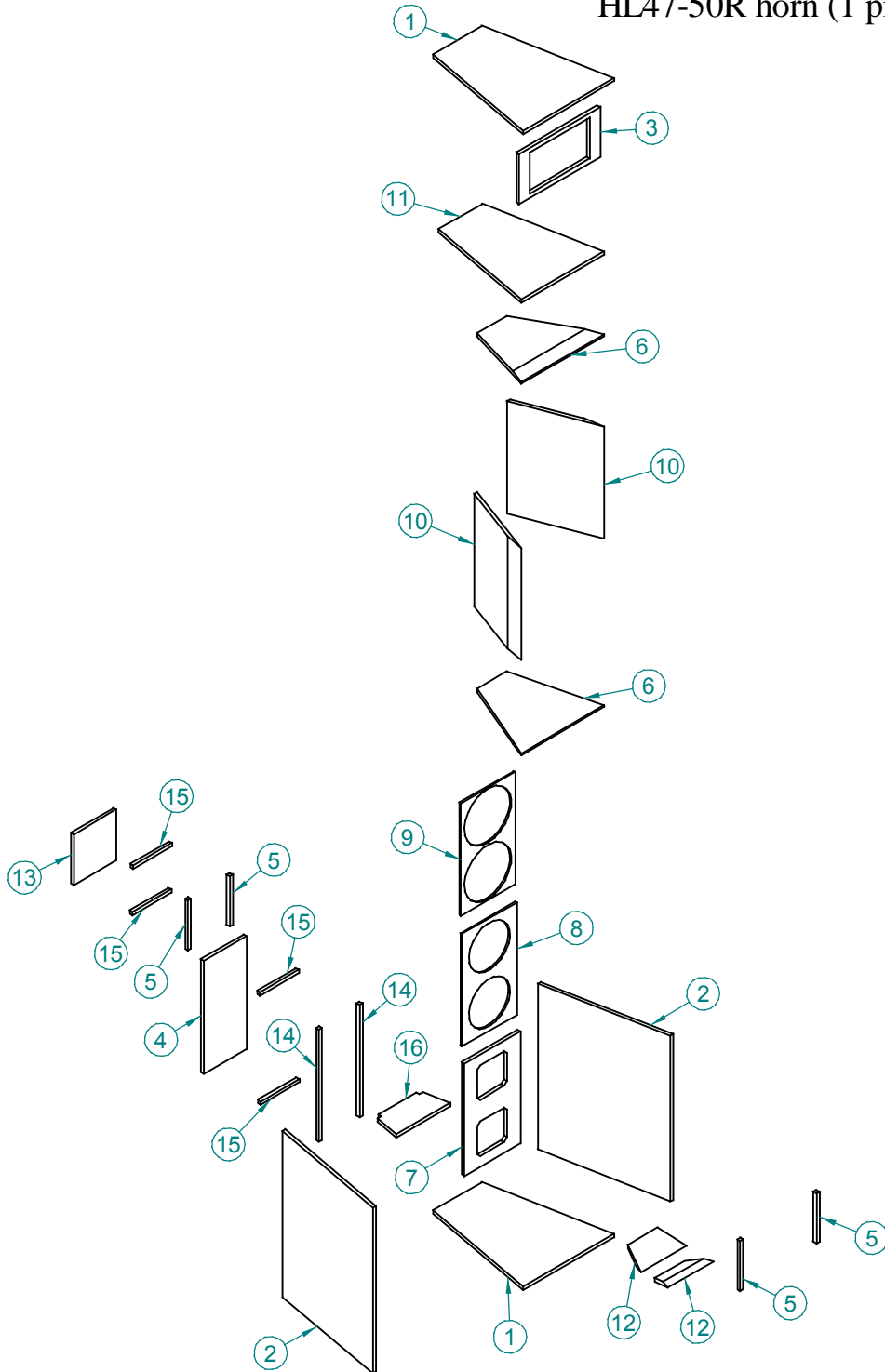
SELENIUM
LOUDSPEAKERS

BRAZIL Address:
ELETRÔNICA SELENIUM S.A.
BR 386 Km 435 / 92.480-000
Nova Santa Rita - RS - Brazil
Fax: +(55) 51 479-1120
www.selenium.com.br

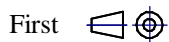
Trapezoidal cabinet, two way, horn type, for use in PA systems, with two 12" mid-bass and one titanium compression driver with horn.

Components:

- WPU1206 or 12MB2P mid-bass (2 pieces)
- D4400Ti or D408Ti or D3300Ti DPD or D3305Ti DPD driver (1 piece)
- HL47-50R horn (1 piece)



Projection Angle:



Specifications subject to change without notice.

NOTES:

Cut off Frequency:

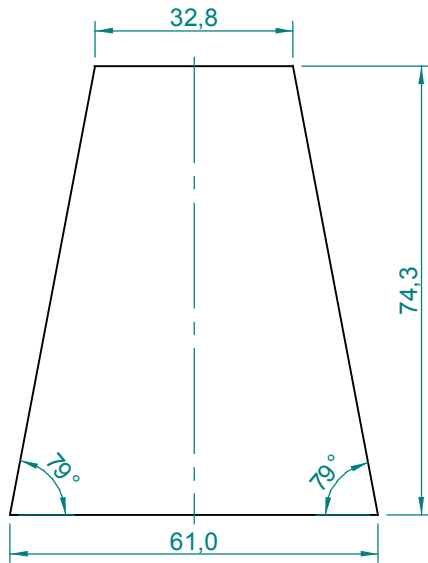
12" Speaker: Low: 200 Hz.
High: 1.200 Hz.

Driver: Low: 1.200 Hz.

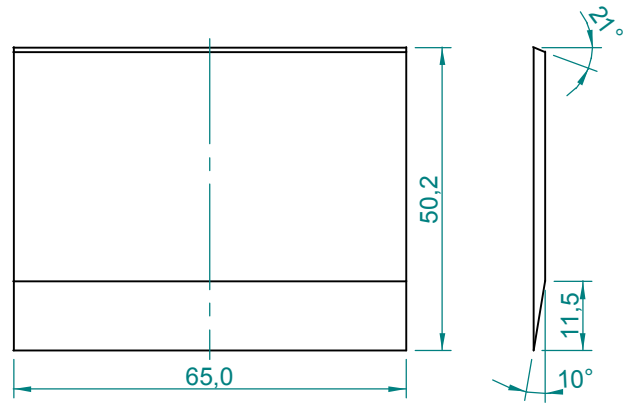
Recommended Crossover: Active, Linkwitz-Riley, 24 dB/oct.

| Item | Qty | Description | Material | Notes |
|------|-----|--------------|---------------|-------|
| 1 | 2 | Top/Bottom | Plywood 20 mm | |
| 2 | 2 | Lateral | Plywood 20 mm | |
| 3 | 1 | Panel 1 | Plywood 20 mm | |
| 4 | 1 | Rear Panel 1 | Plywood 20 mm | |
| 5 | 4 | Frame 1 | Plywood 20 mm | |
| 6 | 2 | Ramp 1 | Plywood 20 mm | |
| 7 | 1 | Panel 2 | Plywood 20 mm | |
| 8 | 1 | Panel 3 | Plywood 10 mm | |
| 9 | 1 | Panel 4 | Plywood 10 mm | |
| 10 | 2 | Ramp 2 | Plywood 20 mm | |
| 11 | 1 | Partition 1 | Plywood 20 mm | |
| 12 | 2 | Wedge | Plywood 20 mm | |
| 13 | 1 | Rear Panel 2 | Plywood 20 mm | |
| 14 | 2 | Frame 2 | Plywood 20 mm | |
| 15 | 4 | Frame 3 | Plywood 20 mm | |
| 16 | 1 | Partition 2 | Plywood 20 mm | |

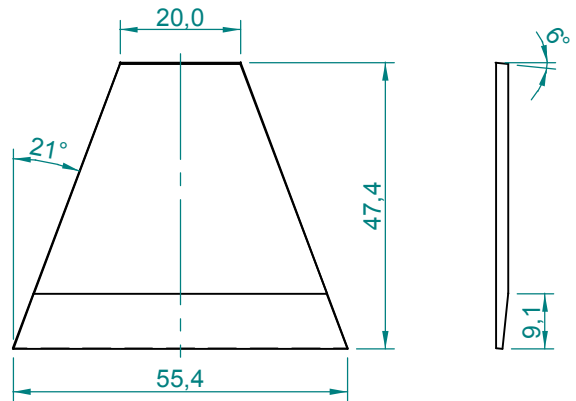
Specifications subject to
change without notice.



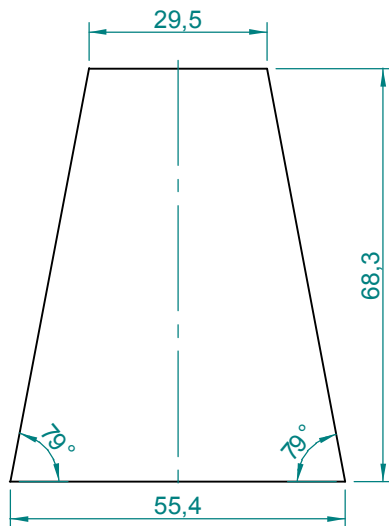
Item 1
Qty: 2 pieces



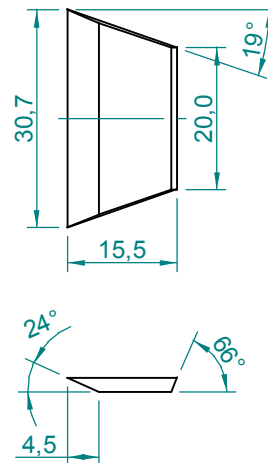
Item 10
Qty: 2 pieces



Item 6
Qty: 2 pieces



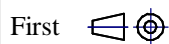
Item 11
Qty: 1 piece



Item 12
Qty: 2 pieces

Dimensions in cm.

Projection Angle:



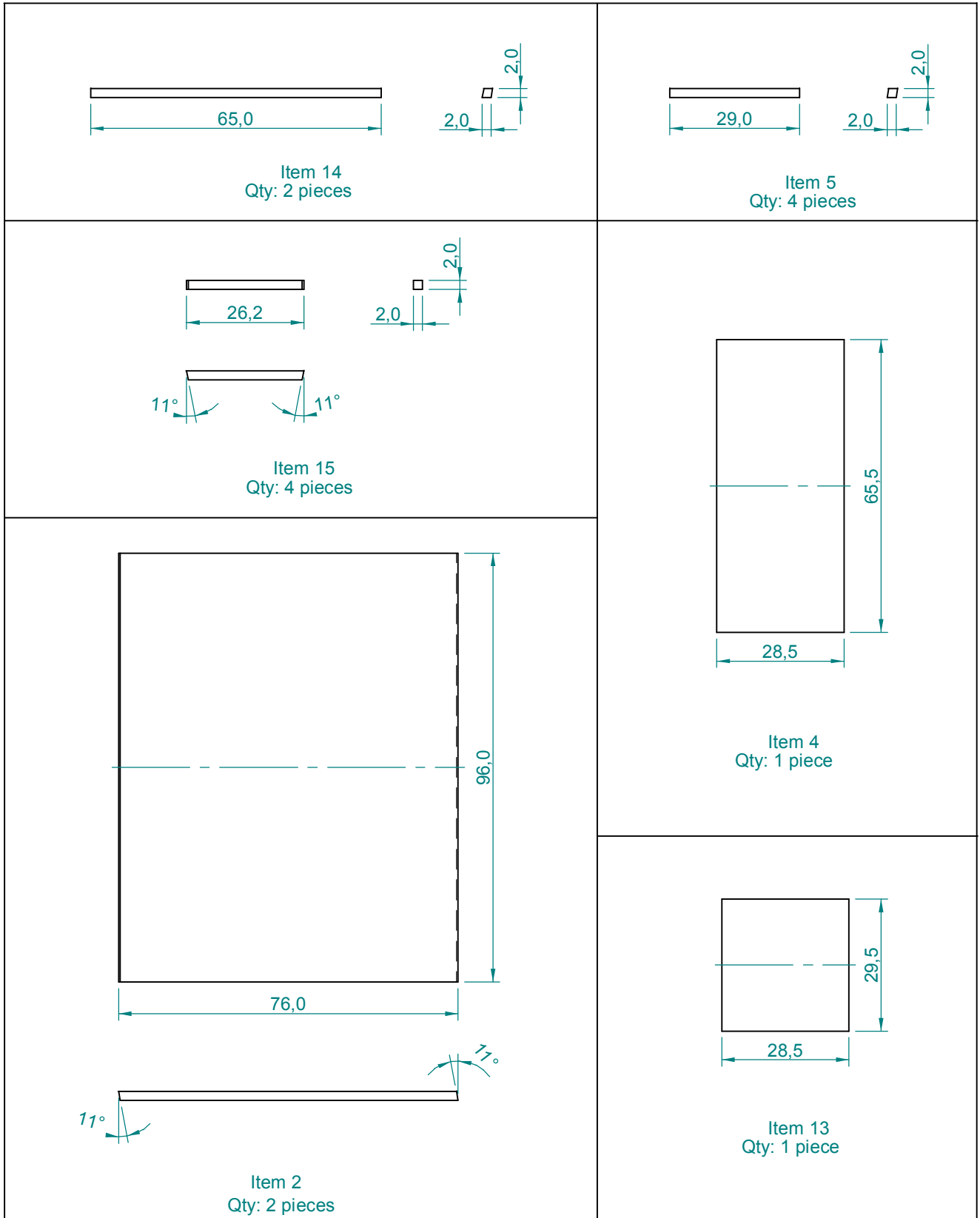
Specifications subject to
change without notice.

03/03 - Rev.: 01 - Page: 4/6

F:\CAIXAS ACÚSTICAS\PAS\PAS5\PAS5MA1\PAS5MA1\ANGLES

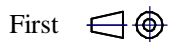
EUROPE Address:
SELENIUM EUROPE
Germany
www.seleniumloudspeakers.com

USA Address:
SELENIUM USA
USA
www.seleniumloudspeakers.com

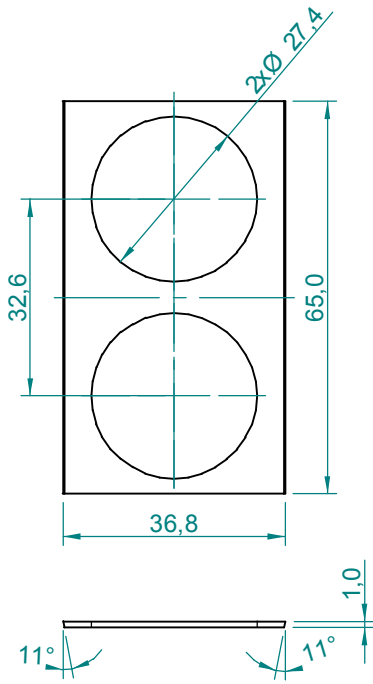


Dimensions in cm.

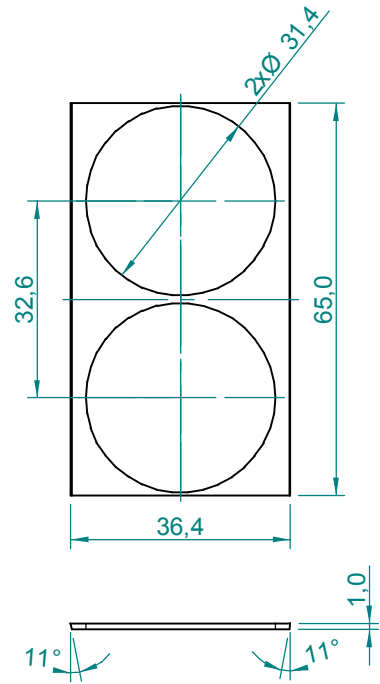
Projection Angle:



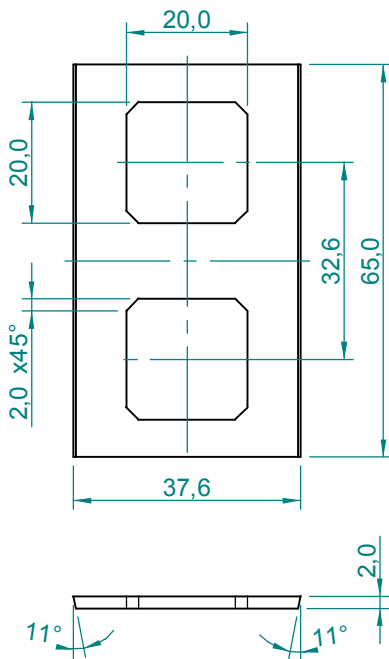
Specifications subject to change without notice.



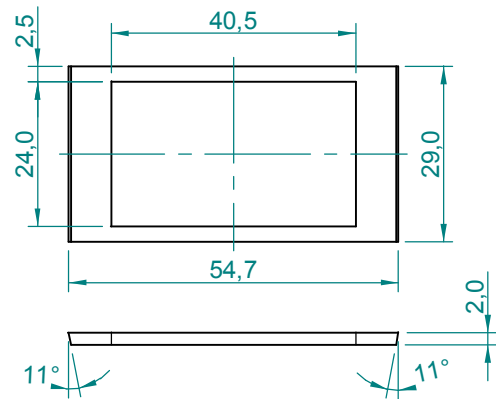
Item 8
Qty: 1 piece



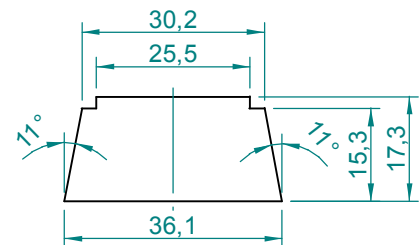
Item 9
Qty: 1 piece



Item 7
Qty: 1 piece



Item 3
Qty: 1 piece



Item 16
Qty: 1 piece

Dimensions in cm.

Projection Angle:

First

Specifications subject to
change without notice.

03/03 - Rev.: 01 - Page: 6/6

F:\CAIXAS ACÚSTICAS\PAS\PAS5\PAS5MA1\PAS5MA1INGLES

EUROPE Address:
SELENIUM EUROPE
Germany
www.seleniumloudspeakers.com

USA Address:
SELENIUM USA
USA
www.seleniumloudspeakers.com

SELENIUM
LOUDSPEAKERS

BRAZIL Address:
ELETRÔNICA SELENIUM S.A.
BR 386 Km 435 / 92.480-000
Nova Santa Rita - RS - Brazil
Fax: +(55) 51 479-1120
www.selenium.com.br